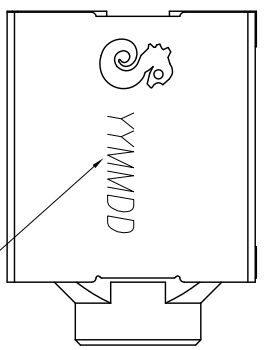
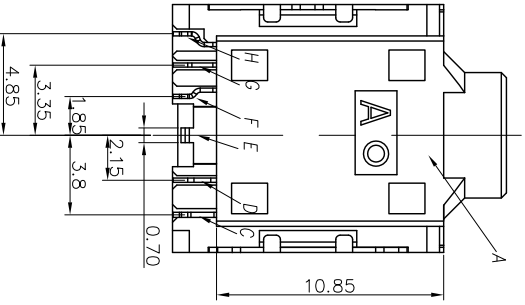
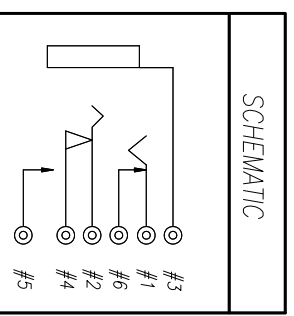
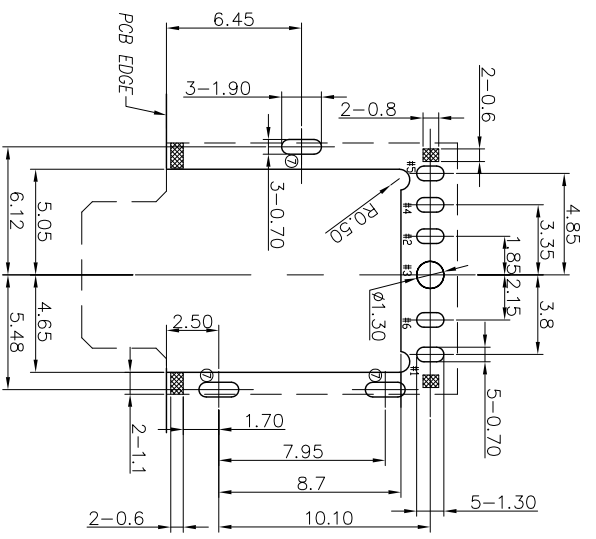
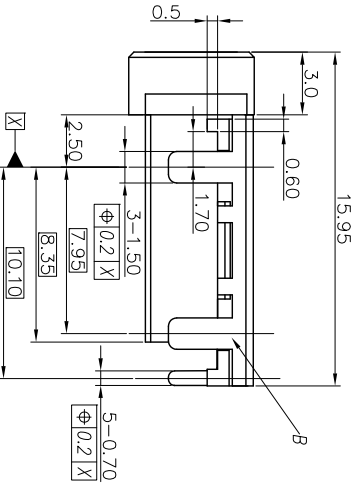
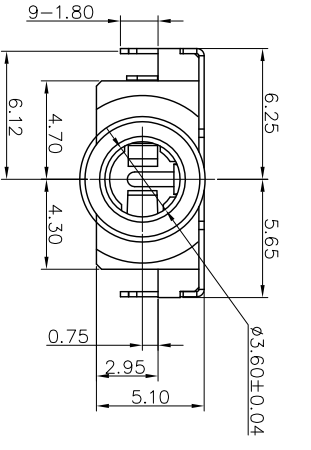
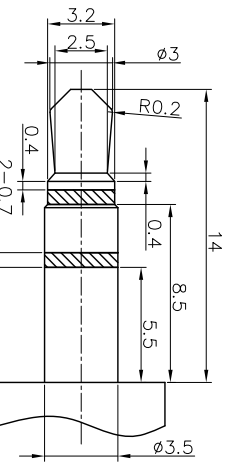


REV.	ECN NO. OR DESCRIPTION	REVISED	DATE
A	PDR NO.T110816-6A	Swino	2011.11.25
B	ECN NO.S111203	Gerry	2011.12.19
C	ECN NO.S120123	Gerry	2012.02.21



SPECIFICATIONS:

- ELECTRICAL CHARACTERISTICS:**
 - RATING: 12V 1A
 - CONTACT RESISTANCE: 30mΩ MAX.(INITIAL)
 - DIELECTRIC WITHSTANDING VOLTAGE: 500V AC FOR ONE MINUTE
 - INSULATION RESISTANCE: 100MΩ MIN. MEASURED BY 500 VDC
- MECHANICAL CHARACTERISTICS:**
 - INSERTION FORCE : 0.4~3.0 KGF
 - WITHDRAWAL FORCE : 0.3~2.0 KGF
- LIFE TEST: 5,000 CYCLES MIN.
- OTHER GENERAL SPEC. TO REFER "2.5 3.5 PHONE JACK SPEC."
- TO CONFORM TO SINGATRON HAZARDOUS SUBSTANCE FREE SPEC.
- HALOGEN FREE PRODUCT IDENTIFICATION MARK ON PRODUCT:
- HALOGEN FREE PRODUCT IDENTIFICATION LOGO ON PACKAGING:
- FOR REFLOW SOLDERING LEAD-FREE PROCESS.



MATING PLUG(TOLERANCE:±0.05)
 Ø3.5 3-POLE STANDARD PLUG

NO	DESCRIPTION	QTY	MATERIAL	PLATING & COLOR
A	BODY	1	HIGH TEMP.THERMOPLASTIC UL 94V-0	BLACK
B	SHELL	1	SPEC-SD 0.25I	Ni 60U Min.
C	TIP SPRING	1	PHOSPHOR BRONZE 0.25I	GOLD FLASH ON CONTACT AREA SOLDER AREA ALL OVER Ni 60U " MIN
D	SHUNT TERMINAL	1	PHOSPHOR BRONZE 0.2I	GOLD FLASH OVER Ni60U " MIN
E	EARTH SPRING	1	PHOSPHOR BRONZE 0.2I	GOLD FLASH OVER Ni60U " MIN
F	RING SPRING	1	PHOSPHOR BRONZE 0.2I	ALL OVER Ni 60U " MIN
G	TRANSFER TERMINAL	1	PHOSPHOR BRONZE 0.2I	GOLD FLASH ON CONTACT AREA SOLDER AREA ALL OVER Ni 60U " MIN
H	MAKE TERMINAL	1	PHOSPHOR BRONZE 0.2I	GOLD FLASH ON CONTACT AREA SOLDER AREA ALL OVER Ni 60U " MIN

UNLESS OTHERWISE SPECIFIED TOLERANCES:

DECIMALS: ANGLES:

X : ±0.5 X : ±.2°
 X.X : ±0.3 X.X : ±1°
 X.XX : ±0.2

Singatron Enterprise Co., Ltd.
 信普企業股份有限公司

TITLE: **3.5φ PHONE JACK**

DWN: Gerry PART NO. 2S11012-0C0111F

CHKD: Tom SCALE: 4:1 UNIT: mm

APVD: Tony SIZE: A3 SHEET: 1 OF 1 REV: C

CUSTOMER COPY