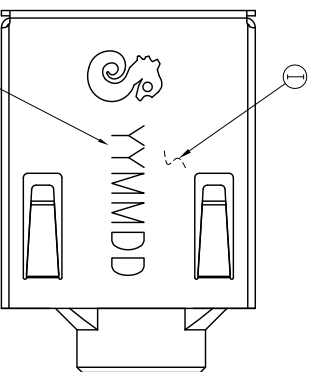
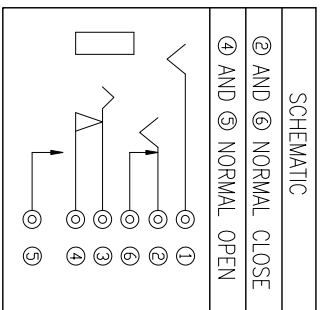
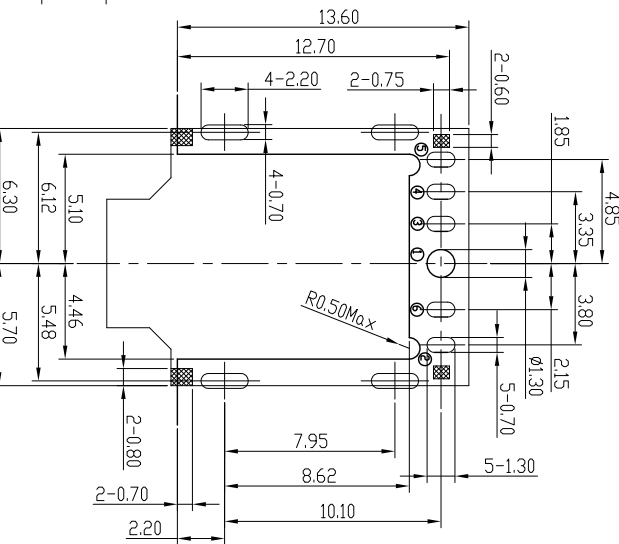


RECOMMENDED PLUG
Ø3.5 3-POLE

RECOMMENDED PCB LAYOUT
TOP VIEW ; TOL:±0.05
PCB THICKNESS: 1.2mm



DATE CODE

REV.	ECN NO.	DR	DESCRIPTION	REVISED	DATE
A	PDR No.:S121226-6A			Aaron	2013/01/21
B	ECN No.:S1304138/S130534			Cerry	2013/06/18
C	ECN No.:S130757			Cerry	2013/12/03

- SPECIFICATIONS:
- INSULATION RESISTANCE BETWEEN ANY ADJACENT OPEN CIRCUIT TERMINAL SHELL NOT BE LESS THAN 100MΩ MEASURED BY 500 VDC MEGGER.
 - INSULATION VOLTAGE WITHSTAND:
500V AC FOR ONE MINUTE.
 - CONTACT RESISTANCE: 50mΩ MAX.
 - UNLESS OTHERWISE SPECIFIED, TEST IS TO BE MADE AT 5-35°C IN TEMPERATURE AND 45-85% IN HUMIDITY, BUT IF ANY VAGUE DATA IS OCCURED ON TEST RESULT, ANOTHER TEST SHALL BE MADE AT 20±2°C IN TEMP., 60-70% IN HUMIDITY.
 - LIFE TEST: 5,000 CYCLES MIN. (NON-LOAD)
 - INSERTION FORCE: 0.4 - 3kgf.
 - WITHDRAWAL FORCE: 0.3 - 2kgf.
 - AFTER LIFE TEST, CONTACT RESISTANCE: 50mΩ MAX.
 - AFTER HUMIDITY TEST, INSULATION RESISTANCE: 50MΩ MIN.
 - MARKING: MARK "S" ON TOP OF CONNECTOR.
 - PACKAGING: TAPE & REEL
 - TO CONFORM TO SINGATRON HAZARDOUS SUBSTANCE FREE SPEC ON PRODUCT: ②
 - HALOGEN FREE PRODUCT IDENTIFICATION MARK
 - HALOGEN FREE PRODUCT IDENTIFICATION LOGO ON THE PACKAGING: ④
 - FOR LEAD-FREE PROCESS.

ITEM NO.	DESCRIPTION	QTY	MATERIAL	PLATING & COLOR
I	Mylar	1	Kapton 006T	YELLOW
H	MAKE TERMINAL	1	PHOSPHOR BRONZE 0.2t	240 PLAD OVER IN 60Min.
G	TRANSFER TERMINAL	1	PHOSPHOR BRONZE 0.2t	240 PLAD OVER IN 60Min.
F	RING SPRING	1	PHOSPHOR BRONZE 0.2t	240 PLAD ON CONTACT & 240R REEL OVER IN 60Min.
E	EARTH	1	PHOSPHOR BRONZE 0.2t	240 PLAD OVER IN 60Min.
D	SHUNT TERMINAL	1	ALLOY COPPER 0.2t	240 PLAD ON CONTACT & 240R REEL OVER IN 60Min.
C	TIP SPRING	1	PHOSPHOR BRONZE 0.25t	240 PLAD OVER IN 60Min.
B	SHELL	1	PHOSPHOR BRONZE 0.25t	40.0" ON SURFER OVER IN 50" MIN.
A	BODY	1	HIGH TEMP.THERMOPLASTIC	UL 94V-0 & BLACK
NO	DESCRIPTION			

UNLESS OTHERWISE SPECIFIED TOLERANCES

DECIMALS: ANGLES:

X ±0.5 X ±2°
XX ±0.3 XX ±1°
XXX ±0.2

Singatron Enterprise Co., Ltd.
信音企業股份有限公司

Ø3.5 SINKING TYPE AUDIO JACK

PART NO.:S11012-140111F

SCALE:4:1 UNIT: mm

SIZE: A3 SHEET: 1 / 1 REV: C

CUSTOMER COPY