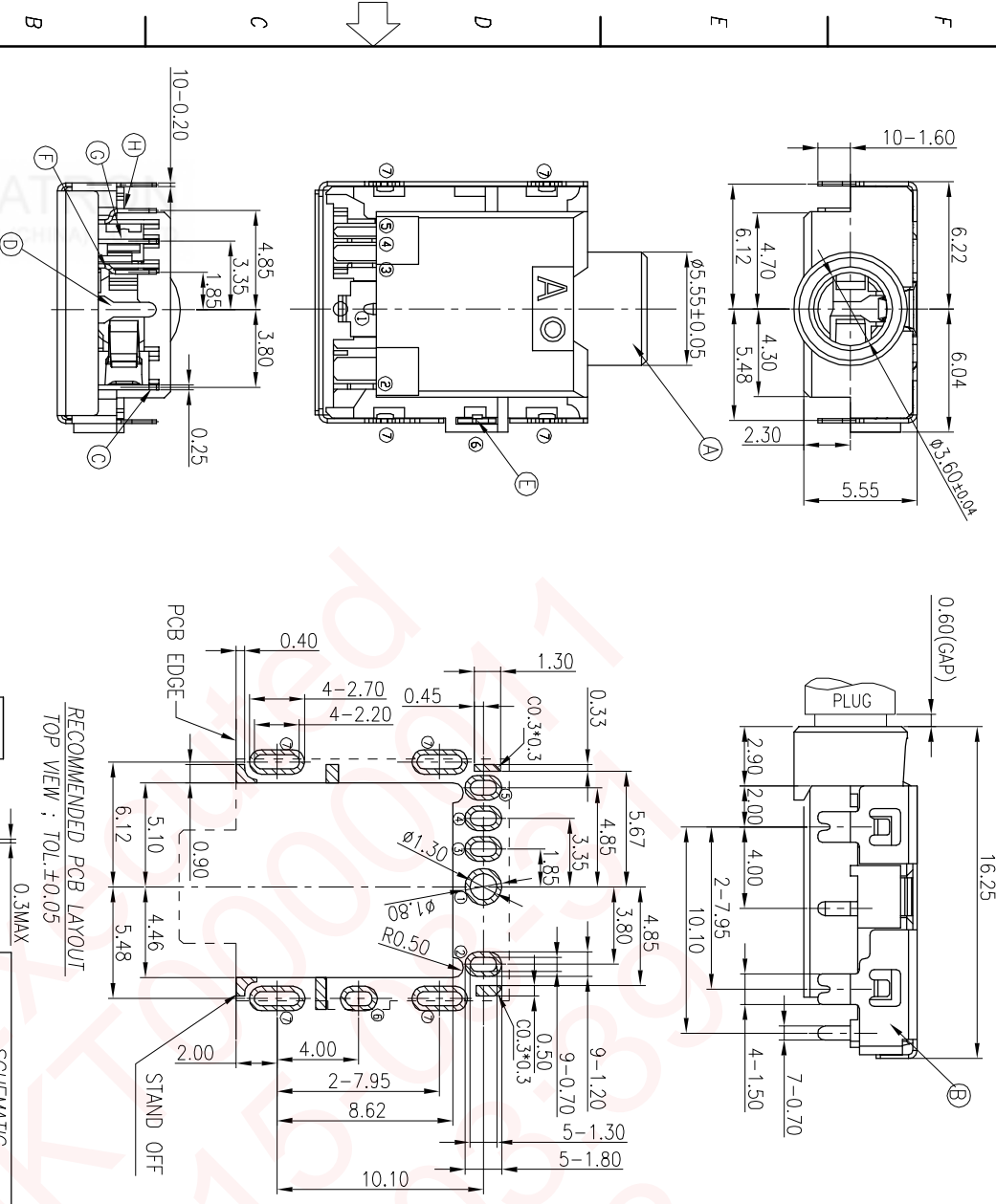


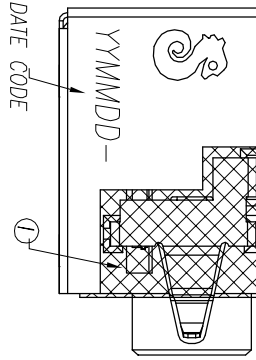
REV.	ECN NO OR DESCRIPTION	REVISED	DATE
A	PDR No.S140904-5A	Ming	2015.06.15

- SPECIFICATIONS:
- INSULATION RESISTANCE BETWEEN ANY ADJACENT OPEN CIRCUIT TERMINAL SHELL NOT BE LESS THAN 100MΩ MEASURED BY 500 VDC.
 - CONTACT RESISTANCE: 50mΩ MAX(INITIAL).
 - INSULATION VOLTAGE WITHSTAND:500V AC FOR ONE MINUTE.
 - LIFE TEST: 5,000 CYCLES MIN.
 - INSERTION FORCE: 0.3-3.0kgf ,
 - WITHDRAWAL FORCE: 0.4-3.0 kgf,
 - AFTER LIFE TEST, CONTACT RESISTANCE: 100mΩ MAX.
 - AFTER HUMIDITY TEST, INSULATION RESISTANCE: 50MΩ MIN.
 - MARKING: MARK "S" ON TOP OF CONNECTOR.
 - PACKING : TAPE & REEL.
 - TO CONFORM TO SINGATRON HAZARDOUS SUBSTANCE FREE SPEC.
 - HALOGEN FREE PRODUCT IDENTIFICATION MARK ON PRODUCT:
 - HALOGEN FREE PRODUCT IDENTIFICATION LOGO ON PACKAGING:



RECOMMENDED PCB LAYOUT
TOP VIEW : TOL.±0.05

SCHEMATIC
④ AND ⑤ NORMAL OPEN



I	MYLAR	1	KAPTON+SILICON GLUE	YELLOW
H	B-TERMINAL	1	CS210-EH 0.2T	GOLD FLASH CONTACT AREA
G	T-TERMINAL	1	CS210-EH 0.2T	Matte Sn 80u" ON SOLDER TAIL: ALL OVER Ni 50 u" Min
F	RING SPRING	1	CS210-EH 0.2T	
E	EARTH-B	1	CS210-EH 0.2T	Au 5u" ON CONTACT AREA;
D	EARTH-A	1	CS210-EH 0.2T	Matte Sn 80u" ON SOLDER TAIL: ALL OVER Ni 50u"/Min.
C	T/P SPRING	1	CS210-EH 0.25T	
B	SHELL	1	CS191-H 0.2T	Ni 80u"/Min.
A	BODY	1	HIGH TEMP.THERMOPLASTIC	UL 94V-0 & BLACK
NO	DESCRIPTION	QTY	MATERIAL	PLATING & COLOR
UNLESS OTHERWISE SPECIFIED TOLERANCES				
DECIMALS: ANGLES:				
X	±0.5	X	±1°	
XX	±0.3	XX	±1'	
XXX	±0.2			
TITLE: Ø3.5 SINKING TYPE AUDIO JACK				
DWN	Ming	PART NO.	SS1012-27011F	
CHKD	Bruce	SCALE:4:1	UNIT: mm	
APVD	Lussen	SIZE: A3	SHEET:1 OF 1	REV: A
SINGATRON Enterprise Co., Ltd.				
信晉企業股份有限公司				
CUSTOMER COPY				