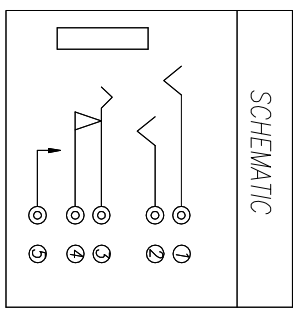
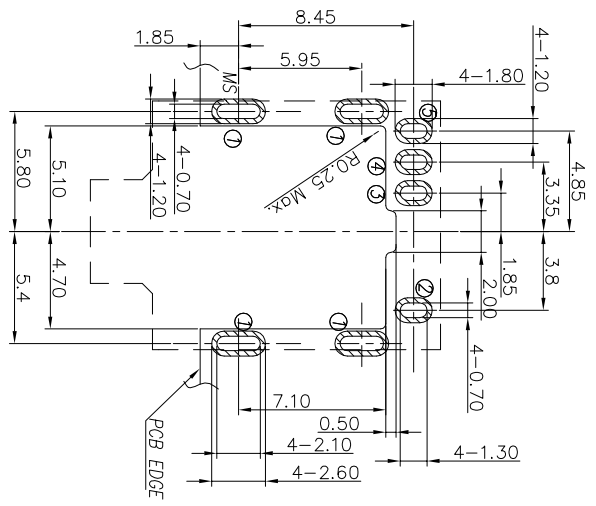
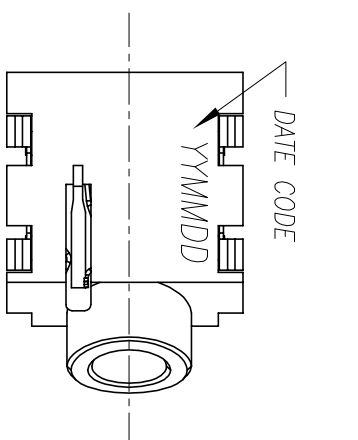
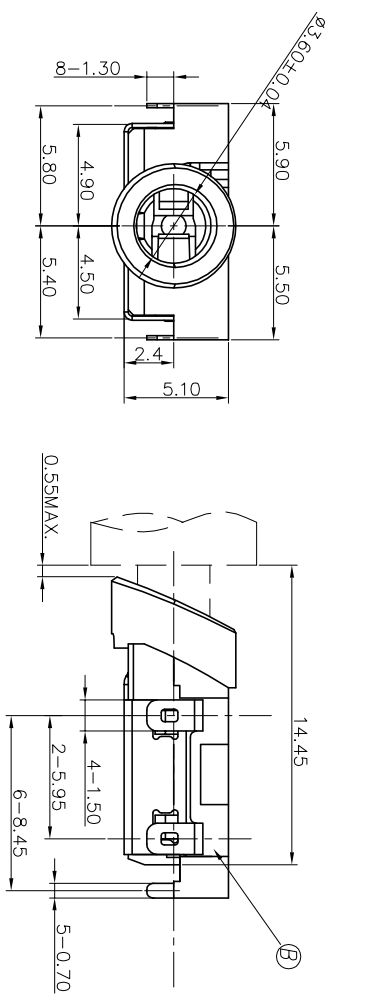


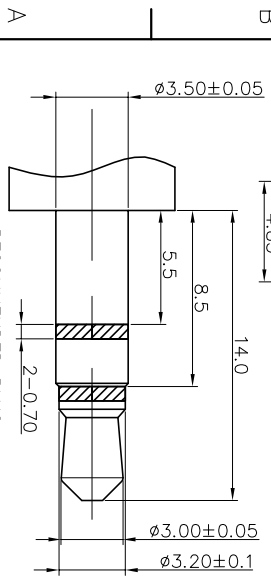
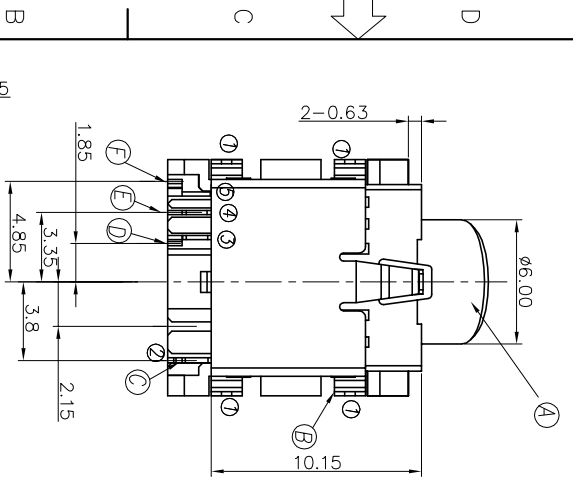
REV	ECN NO OR DESCRIPTION	REVISED	DATE
A	PDR:T120912-10A/10B	Eileen	2013.03.14
B	ECN:S130929	ANDY	2013.12.30



RECOMMENDED PCB LAYOUT
TOP VIEW : TOL.±0.05
PCB THICKNESS: 1.2mm

TABLE 1 :

P/N	COLOR
2SJ1012-110111F	BLACK
2SJ1012-001171F	SONY RED 703C



- SPECIFICATIONS:
- ELECTRICAL CHARACTERISTICS:
 - RATING: 12V 1A
 - CONTACT RESISTANCE: 30mΩ MAX.(INITIAL)
 - DIELECTRIC WITHSTANDING VOLTAGE: 500V AC FOR ONE MINUTE.
 - INSULATION RESISTANCE: 100MΩ MIN. MEASURED BY 500 VDC.
 - MECHANICAL CHARACTERISTICS:
 - INSERTION FORCE : 0.3~3.0 KGF.
 - WITHDRAWAL FORCE : 0.3~3.0KGF.
 - LIFE TEST: 5,000 CYCLES MIN. AFTER LIFE TEST, CONTACT RESISTANCE: 60mΩ MAX.
 - PACKAGING : TAPE & REEL.
 - TO CONFORM TO SINGATRON HAZARDOUS SUBSTANCE FREE SPEC.
 - HALOGEN FREE PRODUCT IDENTIFICATION MARK ON PRODUCT:
 - HALOGEN FREE PRODUCT IDENTIFICATION LOGO ON PACKAGING:
 - FOR LEAD-FREE PROCESS.
 - PRINTED DATE CODE "YYMMDD=" ON TOP OF CONNECTOR.

NO	DESCRIPTION	QTY	MATERIAL	PLATING & COLOR
A	BODY	1	HIGH TEMP.THERMOPLASTIC UL 94V-0	SEE TABLE 1
F	WAKE TERMINAL	1	PHOSPHOR BRONZE 0.2t	
E	TRANSFER TERMINAL	1	PHOSPHOR BRONZE 0.2t	
D	RING SPRING	1	PHOSPHOR BRONZE 0.2t	GOLD FLASH ON TONTRACT AREA MATT Sn 80u"ON SOLDER AREA
C	TIP SPRING	1	PHOSPHOR BRONZE 0.25t	ALL OVER IN 80u" MIN.
B	EARTH	1	PHOSPHOR BRONZE 0.2t	Ni 50u" Min.

DECIMALS:	ANGLES:	TITLE	PART NO.	SCALE:	UNIT:	SHEET:	REV:
X : ±0.5	X : ±2'	DMN	ANDY	3.5φ PHONE JACK	mm	1 OF 1	B
X.X : ±0.3	X.X : ±1'	CHKD	CERRY				
X.XX : ±0.2		APVD	MAX				

CUSTOMER COPY