

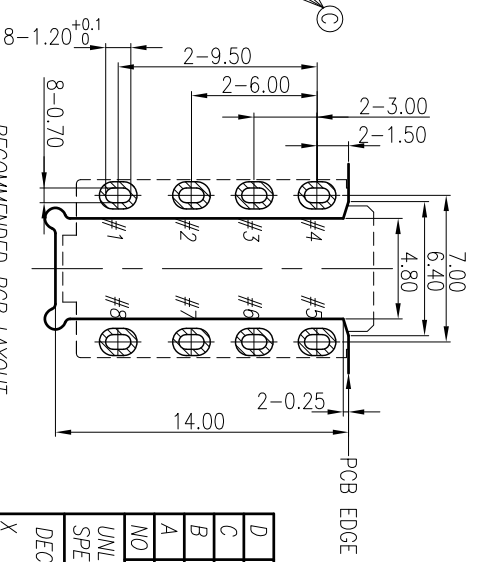
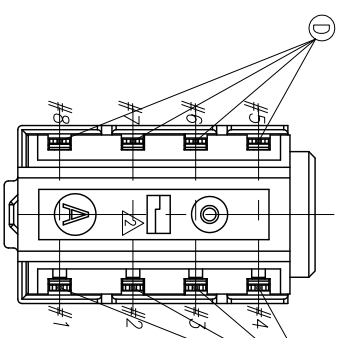
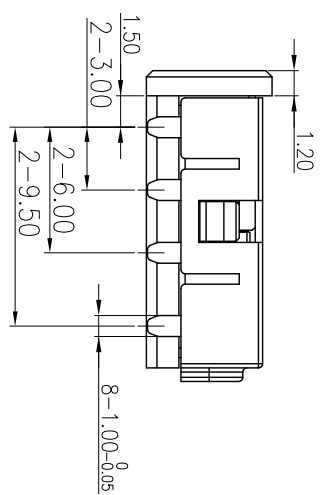
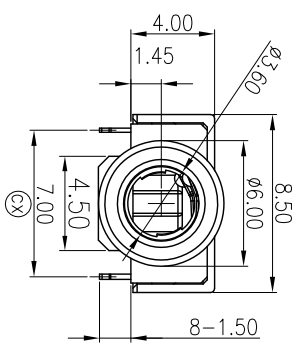
ORDERING NO.
2SJ1020-001111

SOLDER TAIL
1: 1.5±0.2mm

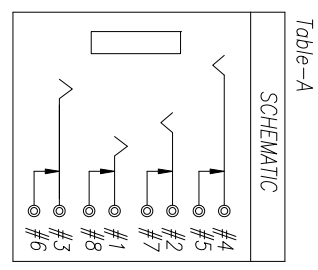
PACKAGING
1: TAPE & REEL

BODY/COVER COLOR
1: Black

SCHEMATIC:
1. 4 Poles with 4 switch _see table-A

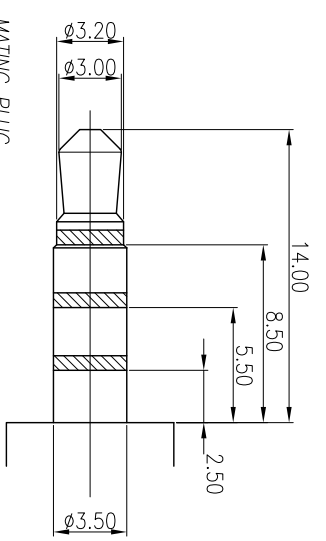


RECOMMENDED PCB LAYOUT
TOP VIEW (TOLERANCE: ±0.05)
(THICKNESS OF PCB 1.0±0.05)



SPECIFICATIONS:

- ELECTRICAL CHARACTERISTICS:
 - RATING: 12V 1A
 - CONTACT RESISTANCE: 30mΩ MAX.(INITIAL)
 - DIELECTRIC WITHSTANDING VOLTAGE: 250V AC FOR ONE MINUTE.
 - INSULATION RESISTANCE: 100MΩ/MIN. MEASURED BY 500 VDC
- MECHANICAL CHARACTERISTICS:
 - INSERTION FORCE : 0.3~3.0 Kgf
 - WITHDRAWAL FORCE : 0.3~3.0 Kgf
- LIFE TEST: 5,000 CYCLES MIN.
- OTHER GENERAL SPEC. REFER: "2SJ1020 SERIES SPEC."
- TO CONFORM TO SINGATRON HAZARDOUS SUBSTANCE FREE SPEC.
- HALOGEN FREE PRODUCT IDENTIFICATION MARK ON JACK: Ⓢ
- HALOGEN FREE PRODUCT IDENTIFICATION LABEL ON PACKAGING: Ⓢ
- FOR REFLOW SOLDERING LEAD-FREE PROCESS.
- Ⓢ REPRESENTS CRITICAL DIMENSION.
- Ⓢ REPRESENTS CPK DIMENSION.



MATING PLUG
ø3.5 4-POLE STANDARD PLUG (TOLERANCE:±0.05)

D	SHUNT TERMINAL	4	COPPER ALLOY 0.2T	GOLD FLASH
C	SPRING	4	COPPER ALLOY 0.25T	GOLD FLASH
B	COVER	1	THERMOPLASTIC HIGH TEMP.	BLACK COLOR
A	BODY	1	THERMOPLASTIC HIGH TEMP.	BLACK COLOR
NO	DESCRIPTION	QTY	MATERIAL	PLATING & COLOR

UNLESS OTHERWISE SPECIFIED TOLERANCES

Singatron Enterprise Co., Ltd.
信音企業股份有限公司

TITLE: 3.5ø 4POLES AUDIO JACK

DECIMALS:	ANGLES:	DWN	Angus	PART NO. 2SJ1020-001111
X : ±0.5	X : ±1°	CHKD	CERRY	SCALE 4:1
X.X : ±0.3	X.X : ±1'	APVD	MAX	UNIT: mm
X.XX : ±0.2				SHEET: 1 OF 1
				REV: B

CUSTOMER COPY

REV.	ECN NO.	OR DESCRIPTION	REVISED	DATE
A	PDR NO. T090417-1A		Allen	2010.08.03
B	ECN NO. S131103		Angus	2014.03.05