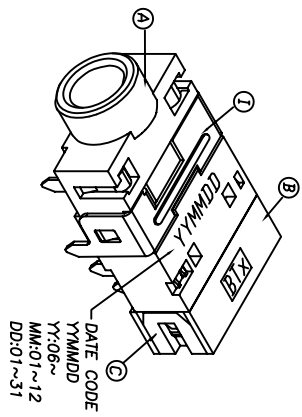


REV.	ECN NO OR DESCRIPTION	REVISED	DATE
A	PRODUCT RELEASE	LIAO	2006.08.01

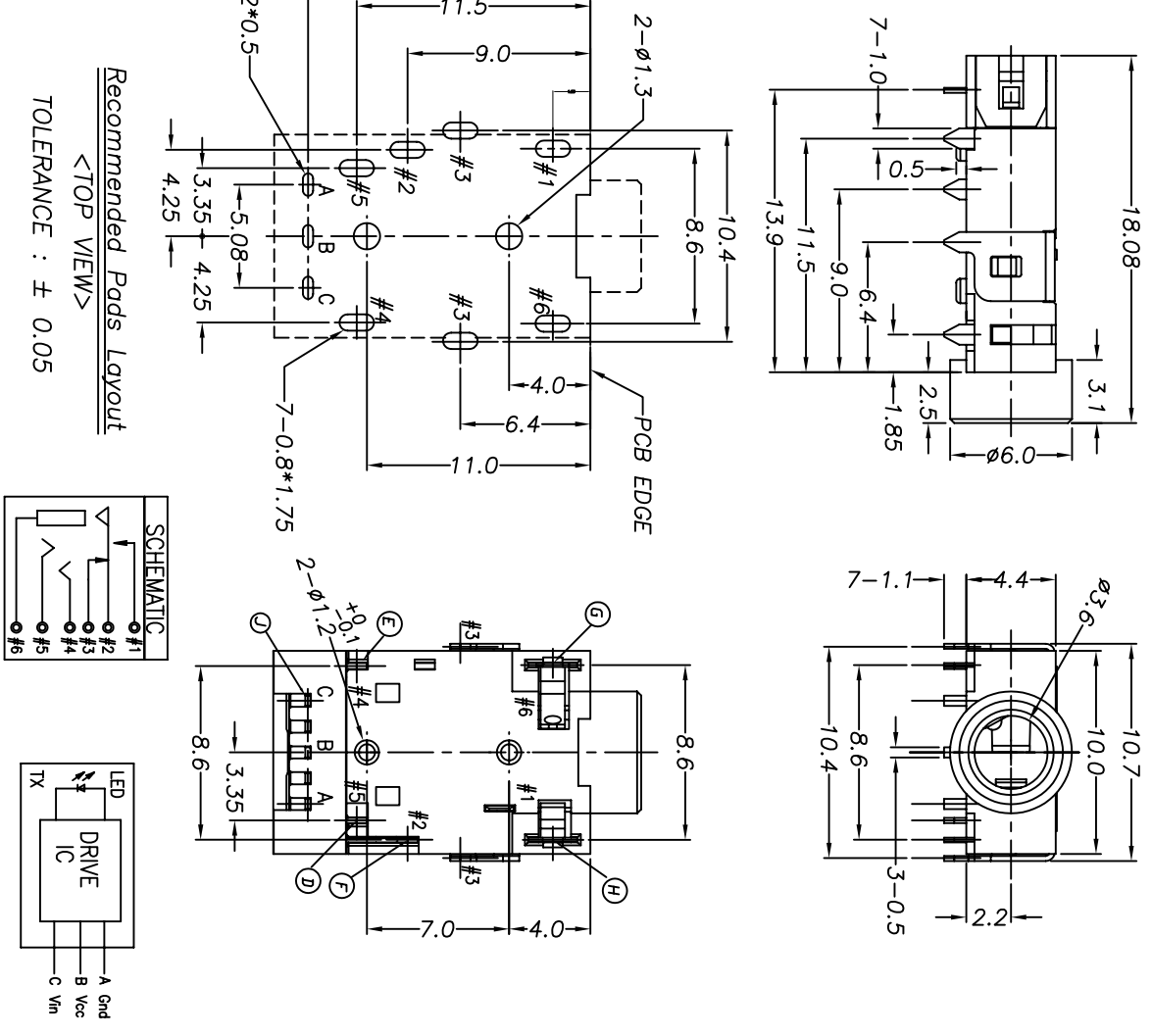


- SPECIFICATIONS:
1. SEE 25J1373 SERIES SPECIFICATIONS.
 2. PACKING: TAPE & REEL.
 3. TO CONFORM TO THE "SE-01-001" & "ROHS DIRECTIVE"
 4. GREEN PRODUCT IDENTIFICATION LABEL IN PACKING: **G.P. PASS**
 5. FOR LEAD-FREE PROCESS.

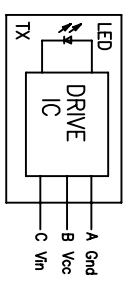
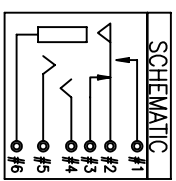
NO	DESCRIPTION	QTY	MATERIAL	PLATING & COLOR
J	DRIVE IC TX	1		
I	SHIELDING	1	BRASS 0.3t	
H	EARTH SPRING-B	1	PHOSPHOR BRONZE 0.2t	GOLD FLASH
G	EARTH SPRING-A	1	PHOSPHOR BRONZE 0.2t	GOLD FLASH
F	EARTH TERMINAL	1	COPPER ALLOY 0.2t	GOLD FLASH
E	TIP SPRING	1	COPPER ALLOY 0.3t	GOLD FLASH
D	RING SPRING	1	PHOSPHOR BRONZE 0.25t	GOLD FLASH
C	COVER	1	PA-9T UL 94V-0	BLACK COLOR
B	CASE	1	PA-9T UL 94V-0	BLACK COLOR
A	BODY	1	PA-9T UL 94V-0	BLACK COLOR

UNLESS OTHERWISE SPECIFIED TOLERANCES

DECIMALS:	ANGLES:
X :±0.5	X :±2°
X.X :±0.3	X.X :±1°
X.XX :±0.2	



Recommended Pads Layout
 <TOP VIEW>
 TOLERANCE : ± 0.05



CUSTOMER COPY

Singatron Enterprise Co., Ltd.
 信譽企業股份有限公司

TITLE: Ø3.5 PHONE JACK
 DWG NO: 25J1373-0010A1
 CHKD: WJ 2006.81 SCALE: 4/1 UNIT: mm
 APVD: BEM 2006.81 SIZE: A3 SHEET: 1 OF 1 REV: A