

REV	ECN NO	OR DESCRIPTION	REVISED	DATE
A		PRODUCT RELEASE	Lico	2008.05.08
B		ECN NO.S080730	Sky	2008.07.23
C		ECN NO.T080204 圖面修正	Lili	2008.12.29
D		ECN NO.S100123	Spring	2010.02.08

K	INSULATOR	1	HIGH TEMP THERMOPLASTIC UL 94V-0	BLACK
J	IC DRIVE	1	EPOXY	Sn 120u "OVERNI 50u"
I	SHIELDING	1	COPPER ALLOY 0.3t	SOLD FLASH-OVER NI 50u"
H	EARTH SPRING-A	1	PHOSPHOR BRONZE 0.25t	SOLD FLASH-OVER NI 50u"
G	EARTH SPRING-B	1	PHOSPHOR BRONZE 0.2t	SOLD FLASH-OVER NI 50u"
F	EARTH TERMINAL	1	PHOSPHOR BRONZE 0.2t	SOLD FLASH-OVER NI 50u"
E	TIP SPRING	1	PHOSPHOR BRONZE 0.25t	SOLD FLASH-OVER NI 50u"
D	RING SPRING	1	PHOSPHOR BRONZE 0.25t	SOLD FLASH-OVER NI 50u"
C	CASE	1	HIGH TEMP THERMOPLASTIC UL 94V-0	BLACK
B	COVER	1	HIGH TEMP THERMOPLASTIC UL 94V-0	BLACK
A	BODY	1	HIGH TEMP THERMOPLASTIC UL 94V-0	SEE"ORDER NO."
NO	DESCRIPTION	QTY	MATERIAL	PLATING & COLOR

UNLESS OTHERWISE SPECIFIED TOLERANCES

DECIMALS: ANGLES:
 X :±0.5 X :±2°
 X.X :±0.3 X.X :±1°
 X.XX :±0.2

RECOMMEND PCB LAYOUT

TOP VIEW
 (TOLERANCE: ±0.05)

Singaton Enterprise Co., Ltd.
 信音企業股份有限公司

TITLE: 3.50 PHONE JACK



DWN: Spring 2010.02.08 PART NO. 2S11373-0030X4

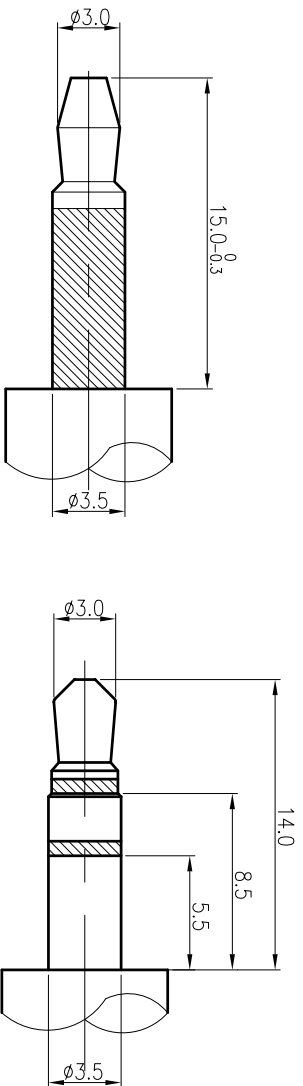
CHKD: LUSSEN2010.02.08 SCALE 4:1 UNIT: mm

APVD: WAZ2010.02.08 SIZE: A3 SHEET: 1 OF 2 REV:D

CUSTOMER COPY

SPECIFICATIONS:

1. ELECTRICAL CHARACTERISTICS:
 - 1-1. RATING: 12V 1A
 - 1-2. CONTACT RESISTANCE: 30mΩ MAX(BEFORE).
 - 1-3. DIELECTRIC WITHSTANDING VOLTAGE: 500V AC FOR ONE MINUTE
 - 1-4. INSULATION RESISTANCE: 100MΩ MIN. MEASURED BY 500 VDC
2. MECHANICAL CHARACTERISTICS:
 - 2-1. INSERTION FORCE : 3.5 Kgf MAX.
 - 2-2. WITHDRAWAL FORCE : 0.3~4.0 Kgf
3. LIFE TEST: 5,000 CYCLES MIN.
4. TO CONFORM TO SINGATRON HAZARDOUS SUBSTANCE FREE SPEC.
5. HALOGEN FREE PRODUCT IDENTIFICATION MARK ON PRODUCT: 
6. HALOGEN FREE PRODUCT IDENTIFICATION LOGO ON PACKING: 
7. FOR LEAD-FREE PROCESS.



OPTICAL FIBER PLUG

Ø3.5 3POLE STANDARD PLUG

RECOMMEND MATING PLUG

REV.	ECN NO.	OR DESCRIPTION	REVISED	DATE
A		PRODUCT RELEASE	Lico	2008.05.08
B		ECN NO.S080730	Sky	2008.07.23
C		ECN NO.1080204	LIL	2008.12.29
D		ECN NO.S100123	Spring	2010.02.08

ORDER NO.
2SJ1373-0030X4

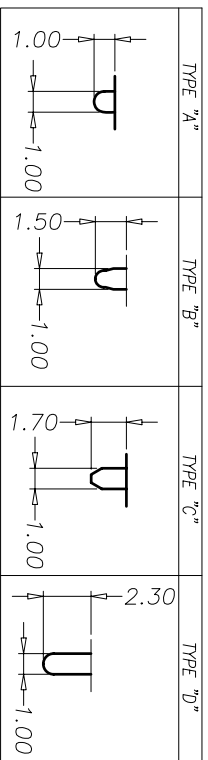
METAL RING OD	
NO.	DESCRIPTION
0	W/O METAL RING

BODY COLOR	
NO.	COLOR
4	GREEN SERIES 359C

SOLDER TAIL LENGTH
DETAIL SEE "TABLE ONE"

NO.	DESCRIPTION
A	1.0mm
B	1.5mm
C	1.7mm
D	2.3mm

TABLE ONE



NO	DESCRIPTION	QTY	MATERIAL	PLATING & COLOR
UNLESS OTHERWISE SPECIFIED TOLERANCES				
DECIMALS:		ANGLES:		
X	:±0.5	X	:±2°	
X.X	:±0.3	X.X	:±1°	
X.XX	:±0.2			
TITLE		3.5Ø PHONE JACK		
DWM	Spring 2010.02.08	PART NO. 2SJ1373-0030X4		
CHKD	LUCSEN 2010.02.08	SCALE 4:1 UNIT: mm		
APVD	WAZD10.02.08	SIZE: A3 SHEET: 2 OF 2 REV: D		

 Singatron Enterprise Co., Ltd.
信晉企業股份有限公司

CUSTOMER COPY