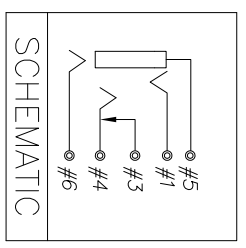


RECOMMENDED PLUG


3-POLE (Tolerance ±0.05)

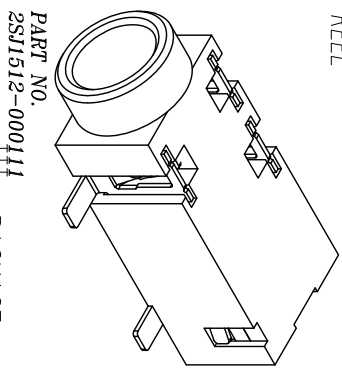


SCHEMATIC

REV.	EGN NO OR DESCRIPTION	REVISED	DATE
A	PDR RELEASE	EVEN	2007.4.4
B	EGN NO:1100060	NY-C	2011.01.20
C	EGN NO:S140128	SEAN	2014.07.28
D	EGN NO:S141145	YUREN	2015.01.28

SPECIFICATIONS

1. SEE 2S11512 SERIES SPECIFICATIONS.
2. TO CONFORM TO SINGATRON HAZARDOUS SUBSTANCE FREE SPEC.
3. HALOGEN FREE IDENTIFICATION MARK ON JACK: ©
4. HALOGEN FREE IDENTIFICATION LABEL ON PACKAGING: 
5. SOLDER HEAT RESISTANCE : 260°C 10 SECS.
6. PACKING : TAPE & REEL



PART NO.
2S11512-000111

- PACKAGE
- 1: TAPE & REEL
- BODY COLOR
- 1: BLACK
- CONTACT PLATING
- 1: Au

E	SHUNT TERMINAL	1	COPPER ALLOY 0.2t	Au
D	TIP SPRING	1	COPPER ALLOY 0.2t	Au
C	RING SPRING	1	COPPER ALLOY 0.2t	Au
B	EARTH	2	COPPER ALLOY 0.2t	Au
A	HOUSING	1	HIGH TEMP.THERMOPLASTIC UL 94V-0 (材料)	BLACK COLOR

NO	DESCRIPTION	QTY	MATERIAL	PLATING & COLOR
UNLESS OTHERWISE SPECIFIED TOLERANCES				
DECIMALS: ANGLES:				
X	:±0.5	X	:±2°	
X.X	:±0.3	X.X	:±1°	
X.XX	:±0.2			

TITLE	EARTHPHONE JACK
DMN	YUREN
CHKD	Cerry
APVD	Loo
PART NO. 2S11512-000111	
SCALE: 5/1	
UNIT: mm	
SHEET: 10F 1	
REV: D	



Singatron Enterprise Co., Ltd.
信登企業股份有限公司

CUSTOMER COPY