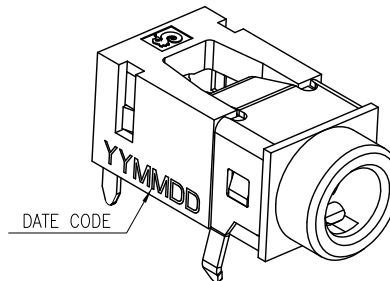
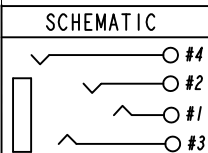
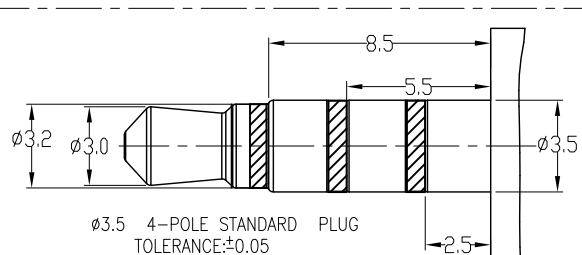
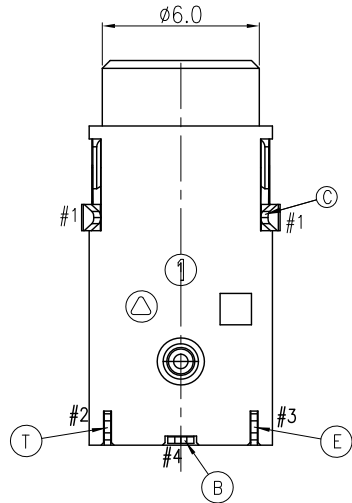


RECOMMENDED P.C.B. LAYOUT
TOP VIEW (TOLERANCE: ±0.05)



| REV. | ECN NO OR DESCRIPTION | REVISED | DATE |
|------|--|---------|------------|
| D | ECN:NO.C090112-1/5 2SJ1520-000111 2SJ1520-000111 DELETE 2SJ1520-001111 | Kim | 2010/03/03 |
| E | ECN NO.C120033 MODIFY PLATING | Daowen | 2012/2/21 |
| F | ECR NO.:C150132 MODIFY PLATING | REX | 15/08/19 |

SPECIFICATIONS:

SEE:2.5φ3.5φ PHONE JACK SPECIFICATIONS.

- INSULATION RESISTANCE BETWEEN ANY ADJACENT OPEN CIRCUIT TERMINAL SHALL NOT BE LESS THAN 100MΩ MEASURES BY 500VDC
- CONTACT RESISANCE 30M Ω MAX
- DIELECTRIC WITHSTANDING VOLTAGE:500V AC FOR ONE MINUTE.
- LIFE TEST :5,000 CYCLES MIN.(NON-LOAD)
- INSERTION FORCE :0.3-3.0 kGF
- WITHDRAWAL FORCE : 0.3-3.0KGF
- AFFER LIFE TEST, INSULATION PERSISTANCE : 50 MΩ MAX
- AFFER HUMIDITY TEST, INSULATION RESISTANCE : 50 M Ω MIN
- TO CONFORM TO THE SINGATRON HAZARDOUS SUBSTANCE FREE SPEC
- GREEN PRODUCT IDENTIFICATION MARK ON JACK: (△)
- GREEN PRODUCT IDENTIFICATION LABEL ON PACKAGING: [GP PASS]
- FOR WAVE SOLDERING LEAD-FREE PROCESS.
- PACKAGING:TRAY.

| NO | DESCRIPTION | QTY | MATERIAL | PLATING & COLOR |
|----|---------------|-----|-----------------------|--|
| E | RING SPRING B | 1 | PHOSPHOR BRONZE 0.25T | 1~3u"AU ON CONTACT AREA AND SOLDER TAIL, ALL OVER NICKEL |
| D | RING SPRING A | 1 | PHOSPHOR BRONZE 0.25T | 20u" MIN UNDER PLATED |
| C | TIP SPRING A | 1 | PHOSPHOR BRONZE 0.30T | 1~3u"AU , NI 20u"MIN |
| B | EARTH SPRING | 1 | PHOSPHOR BRONZE 0.25T | 1~3u"AU ON CONTACT AREA AND SOLDER TAIL, ALL OVER NICKEL |
| A | BODY | 1 | PBT, UL 94V-0 | BLACK COLOR |

UNLESS OTHERWISE SPECIFIED TOLERANCES

Singatron Enterprise Co., Ltd.
信音企業股份有限公司

| DECIMALS: | ANGLES: | TITLE | φ3.5 PHONE JACK | | |
|------------|----------|-------|-----------------|------------------------|----------------------|
| X :±0.5 | X :±2° | DWN | Xinrong-Tan | PART NO.2SJ1520-000111 | |
| X.X :±0.3 | X.X :±1° | CHKD | Zhijun-Wei | SCALE 5:1 | UNIT: mm |
| X.XX :±0.2 | | APVD | Zit-Zhou | SIZE: A3 | SHEET: 1 OF 1 REV: F |

CUSTOMER COPY