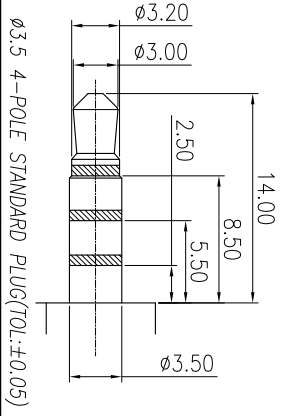
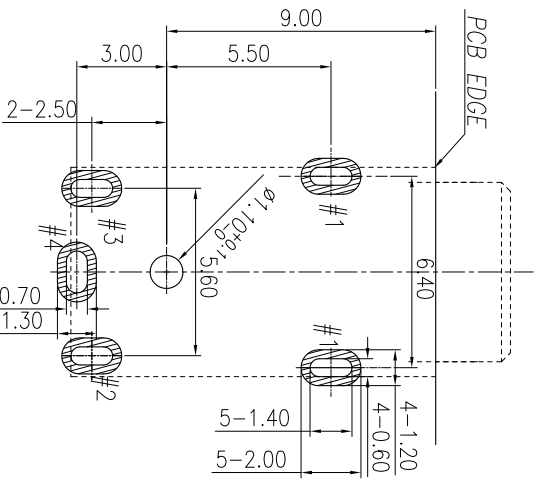
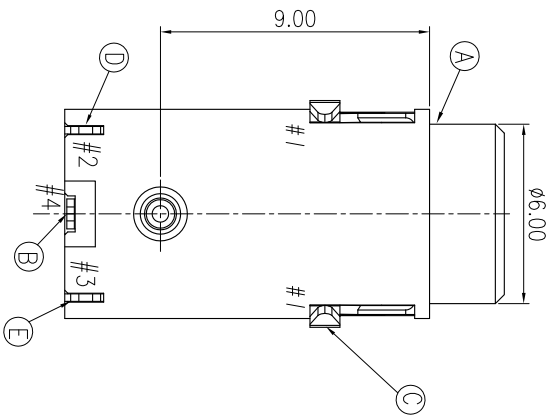
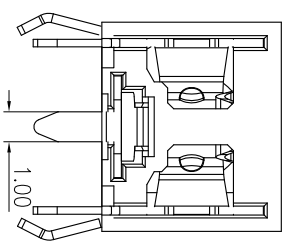
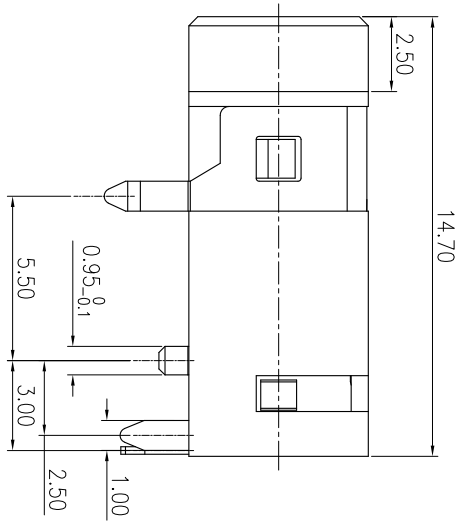
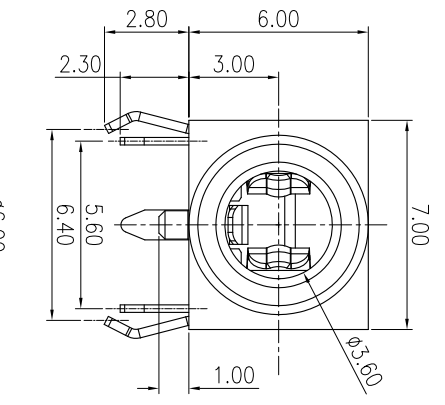
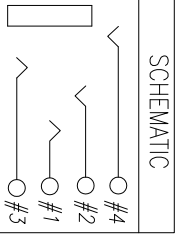


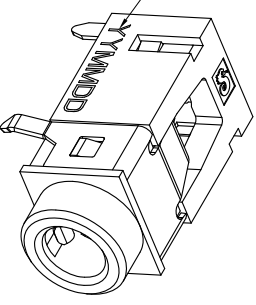
REV. ECN NO. OR DESCRIPTION	REVISED	DATE
A PRODUCT RELEASE	ARES	2012.03.14



SCHEMATIC



DATE CODE



- SPECIFICATIONS:
1. ELECTRICAL CHARACTERISTICS:
- 1-1. RATING: 12V 1A
  - 1-2. CONTACT RESISTANCE: 30mΩMAX.(INITIAL)
  - 1-3. DIELECTRIC WITHSTANDING VOLTAGE: 500V AC FOR ONE MINUTE.
  - 1-4. INSULATION RESISTANCE: 100MΩMIN. MEASURED BY 500 VDC
2. MECHANICAL CHARACTERISTICS:
- 2-1. INSERTION FORCE : 0.3~3.0 Kgf .
  - 2-2. WITHDRAWAL FORCE : 0.3~3.0 Kgf .
3. LIFE TEST: 5,000 CYCLES .
4. OTHER GENERAL SPEC. TO REFER "GENERAL SPEC".
5. TO CONFORM TO SINGATRON HAZARDOUS SUBSTANCE FREE SPEC.
6. GREEN PRODUCT IDENTIFICATION MARK ON JACK:
7. GREEN PRODUCT IDENTIFICATION LABEL ON PACKAGING:
8. FOR WAVE SOLDERING LEAD-FREE PROCESS.
9. PACKAGING: TRAY.

E	RING SPRING B	1	COPPER ALLOY 0.25T	
D	RING SPRING A	1	COPPER ALLOY 0.25T	Gold Flush On Contact Area & Solder toil, All
C	TIP SPRING	1	COPPER ALLOY 0.30T	over Nickel Plated
B	EARTH SPRING	1	COPPER ALLOY 0.25T	
A	BODY	1	PBT 94V-0	Green 361C
NO	DESCRIPTION	QTY	MATERIAL	PLATING & COLOR

UNLESS OTHERWISE SPECIFIED TOLERANCES

DECIMALS: ANGLES:

X :±0.5 X :±2°  
 X.X :±0.3 X.X :±1°  
 X.XX :±0.2

TITLE	ø3.5 PHONE JACK		
DWN	Rev 2012.03.15	PART NO. 2S11520-005111H	
CHKD	Checked 2012.03.15	SCALE 5:1	UNIT: mm
APVD	Ueno 2012.03.15	SIZE: A3	SHEET: 10F1
CUSTOMER COPY			

Singatron Enterprise Co., Ltd.  
 信音企業股份有限公司