

REV.	ECN NO OR DESCRIPTION	REVISED	DATE
A	PDR RELEASE	EVEN	2017.08.31

SPECIFICATIONS:

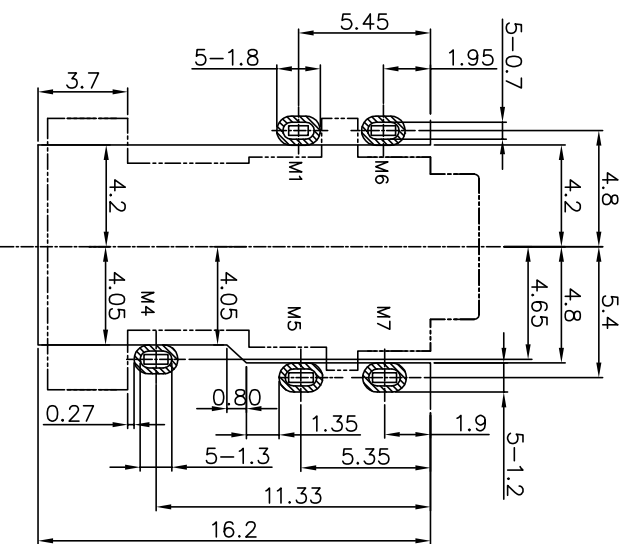
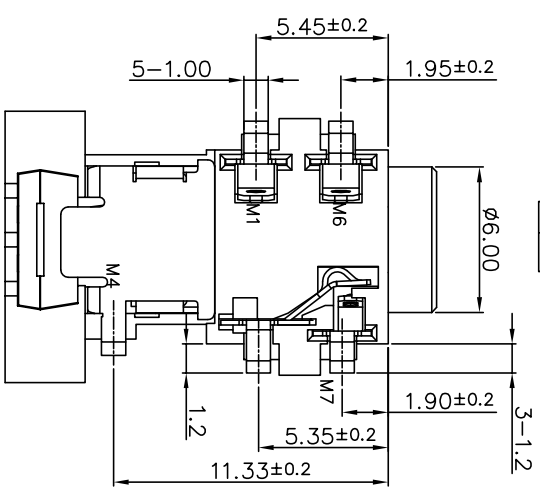
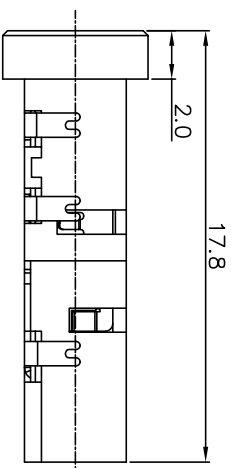
- ELECTRICAL CHARACTERISTICS:**
 - CURRENT RATING: 1 AMP.
 - VOLTAGE RATING: 12V.
 - CONTACT RESISTANCE: 30mΩ MAX.(INITIAL)
 - INSULATION RESISTANCE: 100MΩ MIN. @ 500V DC.
 - DIELECTRIC WITHSTANDING VOLTAGE: 500V AC FOR 1 MINUTE.
- MECHANICAL CHARACTERISTICS:**
 - INSERTION FORCE: 3N~30N
 - WITHDRAWAL FORCE: 3N~30N
 - LIFE TEST: 5,000 CYCLES.
 - TO CONFORM TO THE SINGATRON HAZARDOUS SUBSTANCE FREE SPEC.
 - HALOGEN FREE PRODUCT IDENTIFICATION LABEL ON PACKAGING:
 - PACKAGE: SEE "2SJ1618-002111F" PACKAGE.
 - FOR REFLOW SOLDERING LEAD-FREE PROCESS.
 - OTHER GENERAL SPEC. TO REFER "2SJ1618-002111F SPEC".



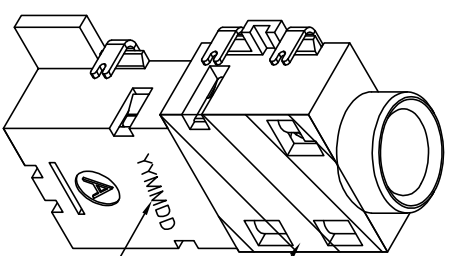
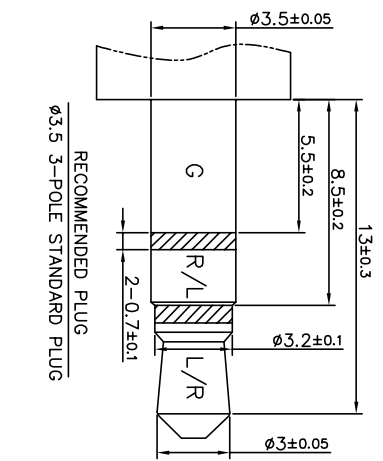
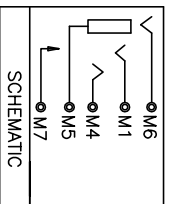
PART NO.

2SJ1618-002111F

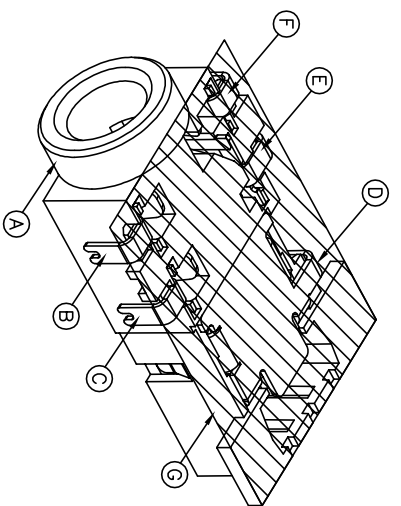
- SUFFIX: HALOGEN FREE
- PACKAGE
- 1: TAPE & REEL
- HOUSING COLOR
- 1: BLACK
- CONTACT PLATING
- 1: GOLD FLASH ON OVER ALL
- Ni 40u" MIN OVER ALL BASE



PCB HOLES(TOP VIEW)
NOTE: GENERAL TOLERANCE: ±0.05mm



DATE CODE:
YY:YEAR(10~)
MM:MONTH(01~12)
DD:DAY(1~31)



NO	DESCRIPTION	QTY	MATERIAL	PLATING & COLOR
G	MYLAR	2		YELLOW
F	Shunt terminal	1	C5210-EH	
E	Earth spring	1	C17200	
D	Tip spring	1	C5210-EH	GOLD FLASH ON OVER ALL Ni 40u" MIN OVER ALL BASE
C	Ring A spring	1	C5210-EH	
B	Earth spring	1	C5210-EH	
A	HOUSING	1	PA10T UL 94V-0	BLACK COLOR
NO	DESCRIPTION	QTY	MATERIAL	PLATING & COLOR

UNLESS OTHERWISE SPECIFIED TOLERANCES

DECIMALS: ANGLES:

X : ±0.5 X : ±2°
X.X : ±0.3 X.X : ±1°
X.XX : ±0.2

TITLE: ø3.5mm PHONE JACK

DWN: EREN 2017.08.31 PART NO. 2SJ1618-002111F

CHKD: ANGELA 2017.08.31 SCALE 1:1 UNIT: mm

APVD: ANGELA 2017.08.31 SIZE: A3 SHEET: 1 OF 1 REV: A

CUSTOMER COPY

Singatron Enterprise Co., Ltd.
信音企業股份有限公司