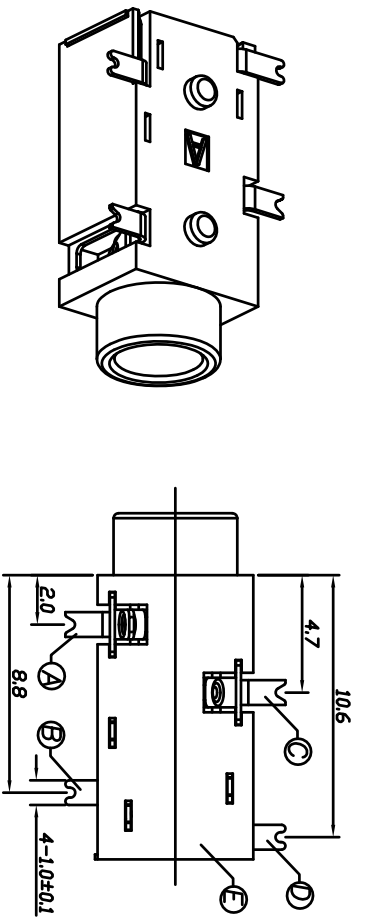
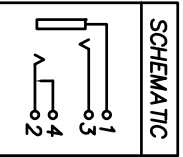
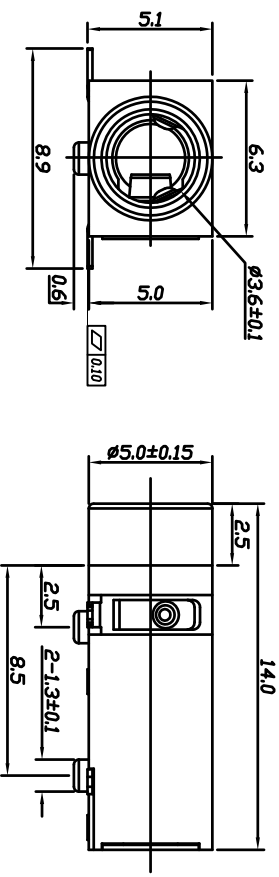


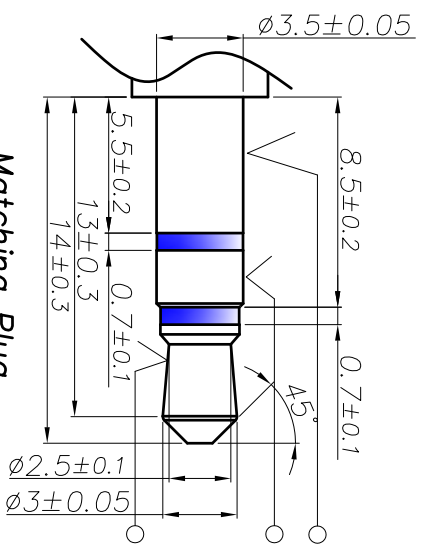
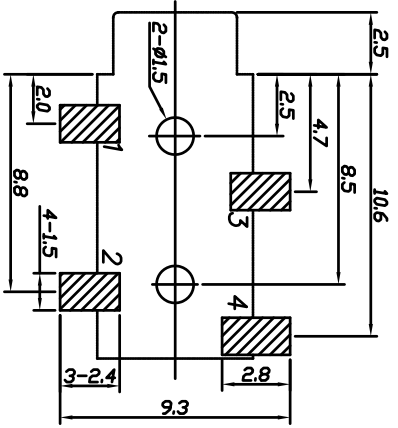
REV. ECN NO. OR DESCRIPTION	REVISED	DATE
A PDR RELEASE	IVY-C	2013.07.23



- SPECIFICATIONS:
- ELECTRICAL CHARACTERISTICS:
 - CONTACT RESISTANCE: 30mΩ MAX.
 - INSULATION RESISTANCE: 100MΩ MIN. @ 500V DC.
 - DIELECTRIC WITHSTANDING VOLTAGE: 500V AC FOR 1 MINUTE.
 - MECHANICAL CHARACTERISTICS:
 - INSERTION FORCE: 0.4~3.0kgf.
 - WITHDRAWAL FORCE: 0.3~3.0kgf.
 - LIFE TEST: 5,000 CYCLES.
 - OTHER GENERAL SPEC. TO REFER "2SJ1621 SERIES SPEC".
 - TO CONFORM TO THE SINGATRON HAZARDOUS SUBSTANCE FREE SPEC.
 - HALOGEN FREE PRODUCT IDENTIFICATION LABEL ON PACKAGING.
 - PACKAGE: SEE "2SJ1621 SERIES" PACKAGE.
 - FOR REFLOW SOLDERING LEAD-FREE PROCESS.



- PART NO. 2SJ1621-000111F
- SUFFIX: HALOGEN FREE
 - PACKAGE: 1: TAPE & REEL
 - HOUSING COLOR: 1: BLACK
 - CONTACT PLATING: 1: SILVER PLATING OVER NICKEL.



Matching Plug

NO	DESCRIPTION	QTY	MATERIAL	PLATING & COLOR
E	HOUSING	1	HI-TEMP PLASTICUL 94V-0	SEE PART NO.
D	TERMINAL#4	1	COPPER ALLOY,t=0.20	SEE PART NO.
C	TERMINAL#3	1	COPPER ALLOY,t=0.20	SEE PART NO.
B	TERMINAL#2	1	COPPER ALLOY,t=0.20	SEE PART NO.
A	TERMINAL#1	1	COPPER ALLOY,t=0.20	SEE PART NO.

UNLESS OTHERWISE SPECIFIED TOLERANCES

DECIMALS:	ANGLES:
X : ±0.5	X : ±2°
X.X : ±0.3	X.X : ±1'
X.XX : ±0.2	

TITLE	Ø3.5mm MINIATURE JACK
DWN	IVY-C-2013.07.23
CHKD	PART NO. 2SJ1621-000111F
APVD	SCALE 1:1 UNIT: mm
	SIZE: A3 SHEET: 1 OF 1 REV: A

CUSTOMER COPY

T:1.6 Dimensions of PC board holes
Tolerance : ±0.1(Printed-top view)