

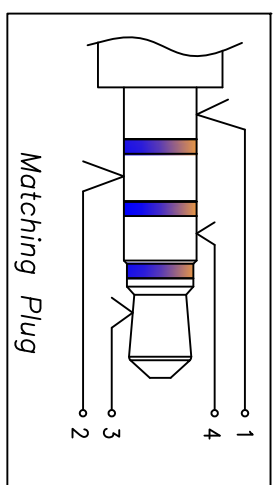
REV.	ECN NO OR DESCRIPTION	REVISED	DATE
A	PDR RELEASE	NY-C	2016.01.21
B	ECN NO: L160035	NY-C	2016.07.29

- SPECIFICATIONS:**
1. TO CONFORM TO THE SINGATRON HAZARDOUS SUBSTANCE FREE SPEC.
  2. HALOGEN FREE PRODUCT IDENTIFICATION LABEL ON PACKAGING.
  3. PACKAGE: SEE "2S11645 SERIES" PACKAGE.
  4. FOR WAVE SOLDERING LEAD-FREE PROCESS.
  5. OTHER GENERAL SPEC. TO REFER "2S11645 SERIES SPEC"

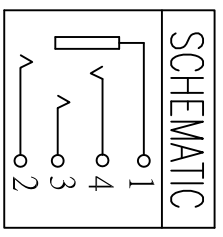
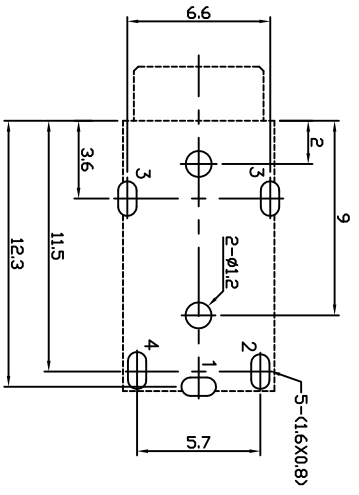
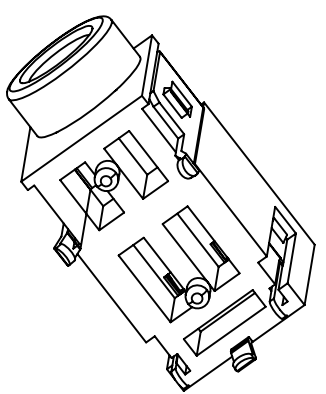
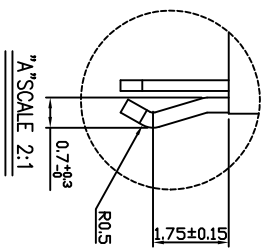
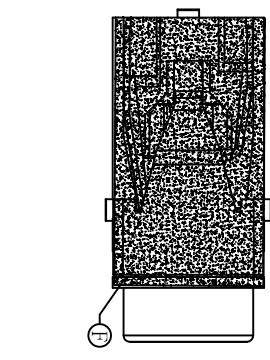
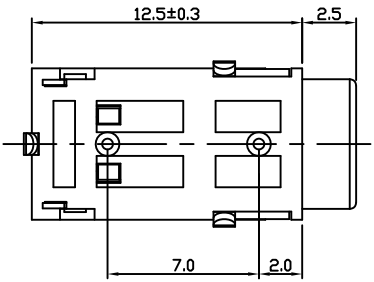
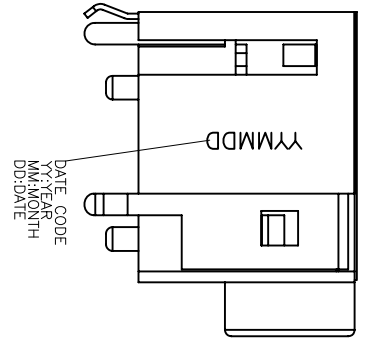
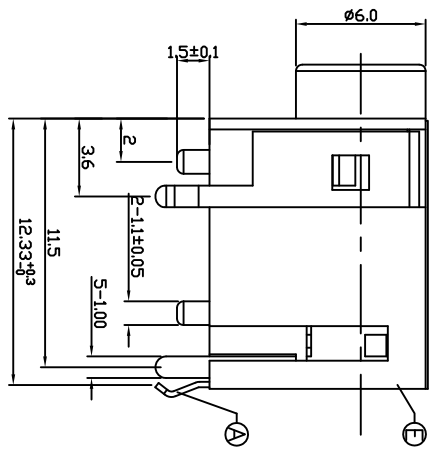
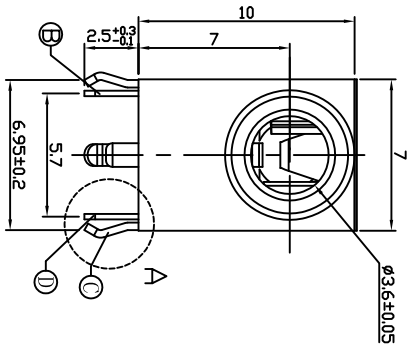
**PART NO.**  
**2S11645-000111F**

CONTACT PLATING  
1. Ag

SUFFIX: HALOGEN FREE  
PACKAGE  
1: TRAY  
HOUSING COLOR  
1: BLACK



3.50Φ-4P-PHONE JACK PLUG



1:1.6 Dimensions of PC board holes  
Tolerance : ±0.05(Printed-top view)

NO	DESCRIPTION	QTY	MATERIAL	PLATING & COLOR
F	MYLAR	1		BLACK
E	HOUSING	1	PBT UL 94V-0	BLACK
D	SPRING PIECE	1	PHOSPHOR BRONZE	Ag
C	CONTACT FOOT	1	BRASS	Ag
B	SPRING PIECE	1	PHOSPHOR BRONZE	Ag
A	CONTACT FOOT	1	PHOSPHOR BRONZE	Ag

UNLESS OTHERWISE SPECIFIED TOLERANCES

DECIMALS: ANGLES:

X : ±0.5 X : ±2°  
X.X : ±0.3 X.X : ±1°  
X.XX : ±0.2

**TITLE** 3.5Φ PHONE JACK

**DWN** NY-C 2016.07.29 **PART NO.** 2S11645-000111F

**CHKD** NY-C 2016.07.29 **SCALE** N/A **UNIT:** mm

**APVD** NY-C 2016.07.29 **SIZE:** A3 **SHEET:** 1 OF 1 **REV:** B

**CUSTOMER COPY**

Singatron Enterprise Co., Ltd.  
信音企業股份有限公司