

REV.	ECN NO OR DESCRIPTION	REVISED	DATE
A	PDR RELEASE	IVY-C	2016.05.06
B	ECN NO: L160132	Even	2016.11.15
C	ECN NO: L202011-PO1	EVEN	2020.11.25
D	ECN NO: L202105-007	EVEN	2021.07.20

SPECIFICATIONS:

- ELECTRICAL CHARACTERISTICS:
 - INSULATION RESISTANCE: A VOLTAGE OF 500V D.C.
 - CONTACT RESISTANCE: BETWEEN PLUG AND TERMINALS 30mΩ MAX. BETWEEN SWITCH PARTS 100mΩ MAX.
 - VOLTAGE PROOF: 500V AC FOR ONE MINUTE
- MECHANICAL CHARACTERISTICS:
 - INSERTION FORCE: 0.6~2.0Kgf.
 - WITHDRAWAL FORCE: 0.6~2.0Kgf.
- LIFE TEST: 5,000 CYCLES.
- WATER PROOFNESS: This product is based on IPX5/7 of the JIS Standard.
- USING PLUG: ø3.5MM, 4-POLE STEREO
- HOUSING STERNGTH IS 50N MAX
- TO CONFORM TO THE SINGATRON HAZARDOUS SUBSTANCE FREE SPEC.
- GREEN PRODUCT IDENTIFICATION LABEL ON PACKAGING: **G.P. PASS**
- PACKAGE: SEE "2SJ1650-W00111H" PACKAGE.
- FOR REFLOW SOLDERING LEAD-FREE PROCESS.
- OTHER GENERAL SPEC. TO REFER "2SJ1650-W00111H SPEC".

PART NO.

2SJ1650-W00111H

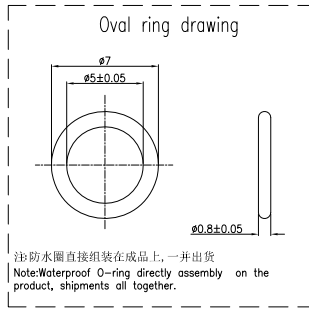
- SUFFIX: HALOGEN
- PACKAGE
 - 1: TAPE&REEL
- HOUSING COLOR
 - 1: BLACK
- CONTACT PLATING
 - 1: GOLD FLASH PLATING; NI 40u" MIN UNDERPLATE

J	OVAL RING	1	SILICONE	BLUE
I	BOND	1	EPOXY	BLACK
H	TERMINAL	2	BRASS	GOLD FLASH PLATING; NI 40u" MIN UNDERPLATE
G	TIP SPRING-2	1	COPPER ALLOY	
F	TIP SPRING-1	1	COPPER ALLOY	
E	RING SPRING-2	1	COPPER ALLOY	
D	RING SPRING-1	1	COPPER ALLOY	
C	EARTH SPRING	1	COPPER ALLOY	BLACK
B	COVER	1	PA9T UL 94V-0	
A	HOUSING	1	PA9T UL 94V-0	BLACK
NO	DESCRIPTION	QTY	MATERIAL	PLATING & COLOR

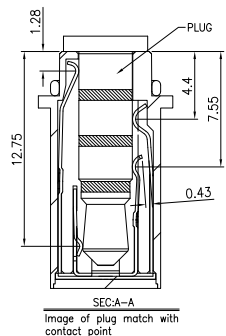
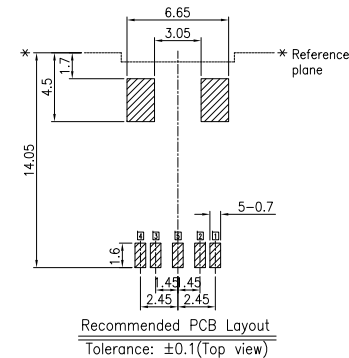
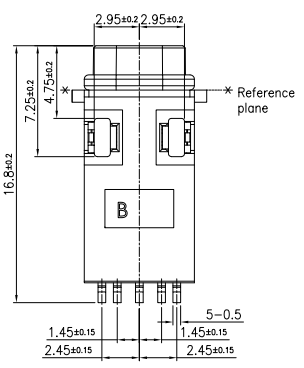
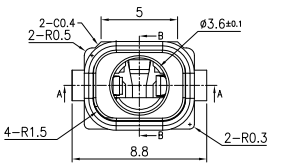
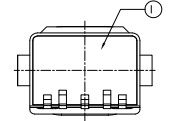
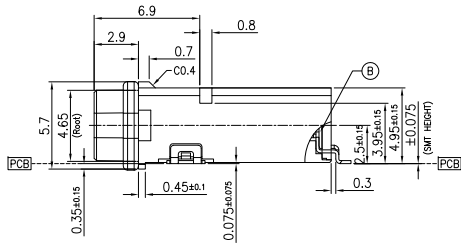
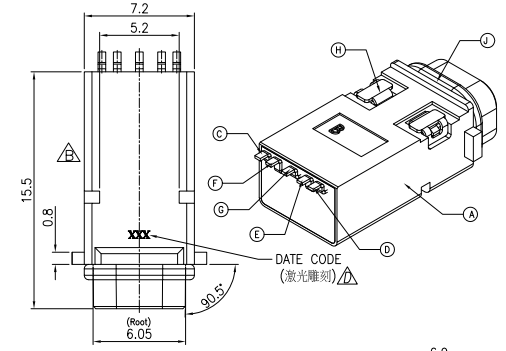
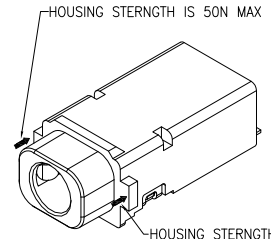
UNLESS OTHERWISE SPECIFIED TOLERANCES

信音科技(香港)有限公司

DECIMALS:	ANGLES:	TITLE	3.5ø PHONE JACK, SMT TYPE(WATERPROOF)		
X : ±0.5	X : ±2°	DWN	EVEN 2021.07.20	PART NO. 2SJ1650-W00111H	
X.X : ±0.3	X.X : ±1°	CHKD		SCALE 4:1	UNIT: mm
X.XX : ±0.2		APVD	ANGELA2021.07.20	SIZE: A3	SHEET: 1 OF 1
CUSTOMER COPY					



注防水圈直接组装在成品上,一并出货
Note: Waterproof O-ring directly assembly on the product, shipments all together.



MARKING
Date Code: **B27**
Week(周)
Year(年)
(A=2014;B=2015...)

