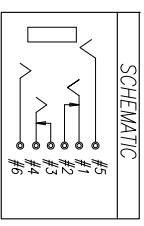
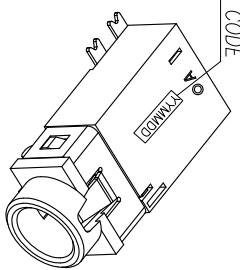
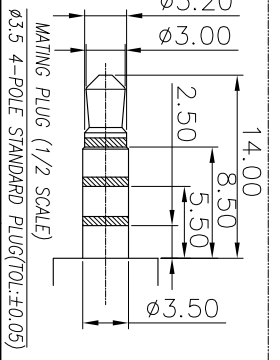
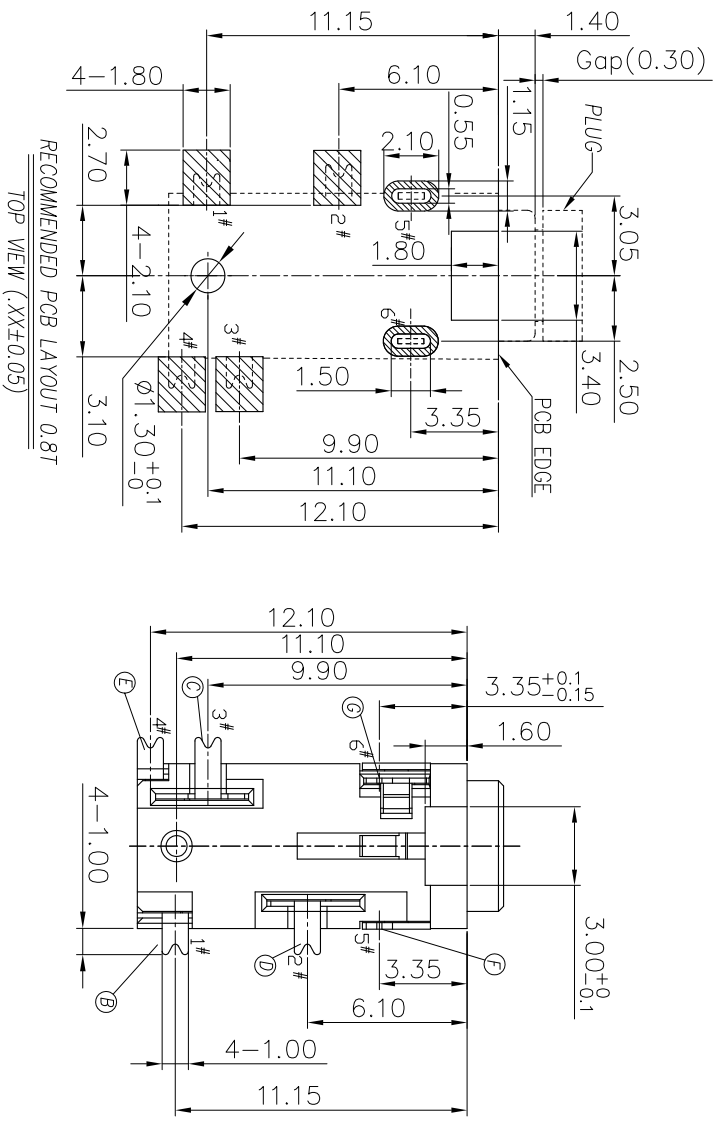
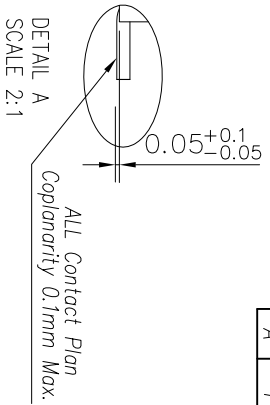
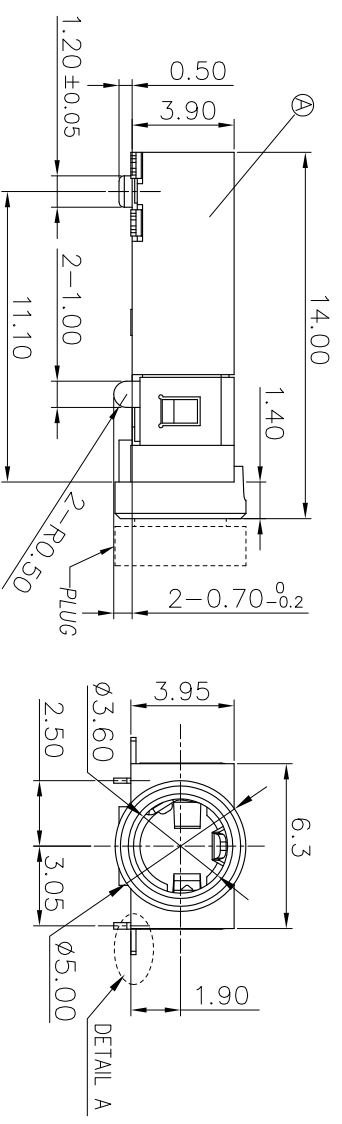


REV. ECN NO. OR DESCRIPTION	REVISED	DATE
A PRODUCT RELEASE	WZJ	2013.11.15



- SPECIFICATIONS:
- ELECTRICAL CHARACTERISTICS:
 - RATING: 12V 1A
 - CONTACT RESISTANCE: $30m\Omega_{MAX}$ (INITIAL)
 - DIELECTRIC WITHSTANDING VOLTAGE: 500V AC FOR ONE MINUTE.
 - INSULATION RESISTANCE: 100M Ω MIN. MEASURED BY 500 VDC
 - MECHANICAL CHARACTERISTICS:
 - INSERTION FORCE : 3.0 Kgf Max.
 - WITHDRAWAL FORCE : 0.3 Kgf Min.
 - LIFE TEST: 5,000 CYCLES.
 - OTHER GENERAL SPEC. TO REFER "2SJ2006 SERIES SPEC."
 - TO CONFORM TO SINGAITRON HAZARDOUS SUBSTANCE FREE SPEC.
 - HALOGEN FREE PRODUCT IDENTIFICATION MARK:
 - HALOGEN FREE PRODUCT IDENTIFICATION LABEL ON PACKAGING:
 - FOR REFLOW SOLDERING LEAD-FREE PROCESS.
 - SOLDER HEAT RESISTANCE: 260°C FOR 10 SEC.
 - PACKAGING: TAPE & REEL.



G	RING-B	1	COPPER ALLOY 0.2t	GOLD FLASH
F	EARTH	1	COPPER ALLOY 0.25t	GOLD FLASH
E	TIP SPRING	1	COPPER ALLOY 0.2t	GOLD FLASH
D	SHUNT-B	1	COPPER ALLOY 0.2t	GOLD FLASH
C	SHUNT-A	1	COPPER ALLOY 0.2t	GOLD FLASH
B	RING-A	1	COPPER ALLOY 0.2t	GOLD FLASH
A	BODY	1	HIGH TEMP. THERMOPLASTIC U94-V0	BLACK
NO	DESCRIPTION	QTY	MATERIAL	PLATING & COLOR
UNLESS OTHERWISE SPECIFIED TOLERANCES				
Singaitron Enterprise Co., Ltd. 信營企業股份有限公司				
DECIMALS:		ANGLES:	TITLE	
X : ±0.5	X : ±2°		Ø3.5 PHONE JACK	
X X : ±0.3	X X : ±1°		DWN	WZJ 13/11/22
X X X : ±0.2			CHKD	13/11/22
			APVD	13/11/22
CUSTOMER COPY				
PART NO. 2SJ2006-004111F		SCALE 5:1	UNIT: mm	REV. A
SHEET: 10F1				