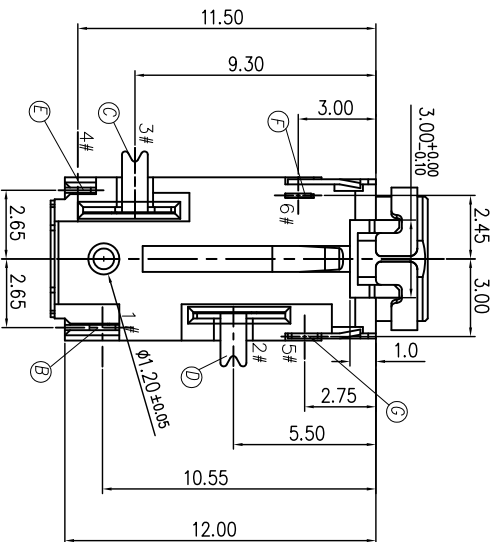
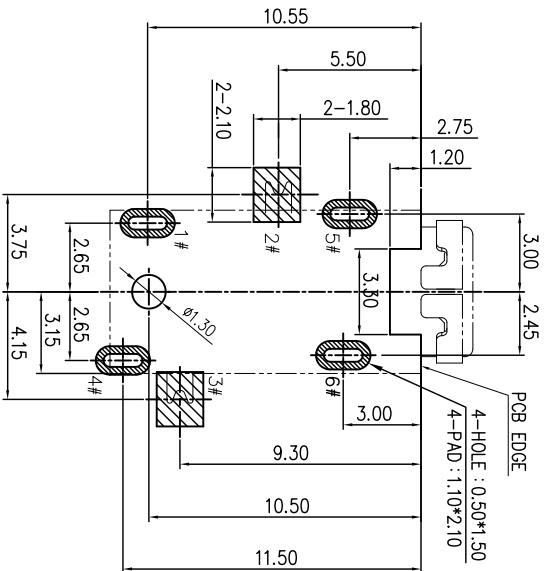
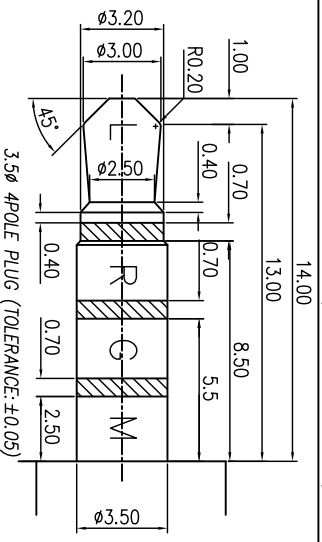
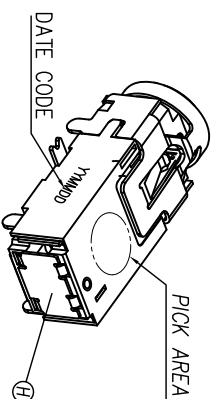


SPECIFICATIONS:

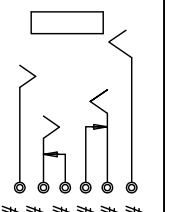
- ELECTRICAL CHARACTERISTICS:**
 - RATING: 12V 1A
 - CONTACT RESISTANCE: 30mΩ MAX(BEFORE).
 - DIELECTRIC VOLTAGE WITHSTAND: 500V AC FOR ONE MINUTE
 - INSULATION RESISTANCE: 100M Ω MIN. MEASURED BY 500 VDC
- MECHANICAL CHARACTERISTICS:**
 - INSERTED FORCE : 3.0 Kgf MAX.
 - WITHDRAWAL FORCE : 0.3~3.0 Kgf
- LIFE TEST: 5,000 CYCLES.
- TO CONFORM TO THE SINGATRON Ø3.5 AUDIO JACK SPECIFICATION.
- HALOGEN FREE PRODUCT IDENTIFICATION MARK:
- HALOGEN FREE PRODUCT IDENTIFICATION LABEL ON PACKAGING:
- FOR REFLOW SOLDERING LEAD-FREE PROCESS.
- SOLDER HEAT RESISTANCE REFLOW SOLDERING 260°C 10SECS.
- PACKAGING IN TAPE & REEL.



RECOMMENDED P.C.B. LAYOUT
TOP VIEW (TOLERANCE: ±0.05)



SCHEMATIC



"TABLE"

P/N	BODY COLOR
2S1J2007-000311F	BLACK
2S1J2007-000321F	YELLOW (123C)

NO	DESCRIPTION	QTY	MATERIAL	PLATING & COLOR
A	BODY	1	NYLON THERMOPLASTIC UL 94V-0	SEE TABLE
B	RING-A	1	COPPER ALLOY 0.2t	GOLD FLASH
C	SHUNT-A	1	COPPER ALLOY 0.2t	GOLD FLASH
D	SHUNT-B	1	COPPER ALLOY 0.2t	GOLD FLASH
E	TIP	1	COPPER ALLOY 0.20t	GOLD FLASH
F	EARTH	1	COPPER ALLOY 0.15t	GOLD FLASH
G	RING-B	1	COPPER ALLOY 0.2t	NI PLATING
H	COVER	1	STAINLESS STEEL 0.15t	

UNLESS OTHERWISE SPECIFIED TOLERANCES

Singatron Enterprise Co., Ltd.
信登企業股份有限公司

TITLE: 3.5Ø PHONE JACK

DWN: 2012/08/19 PART NO. 2S1J2007-0003X1F

CHKD: 2012/08/19 SCALE 5:1 UNIT: mm

APVD: 2012/08/19 SIZE: A3 SHEET: 10F1 REV: B

CUSTOMER COPY