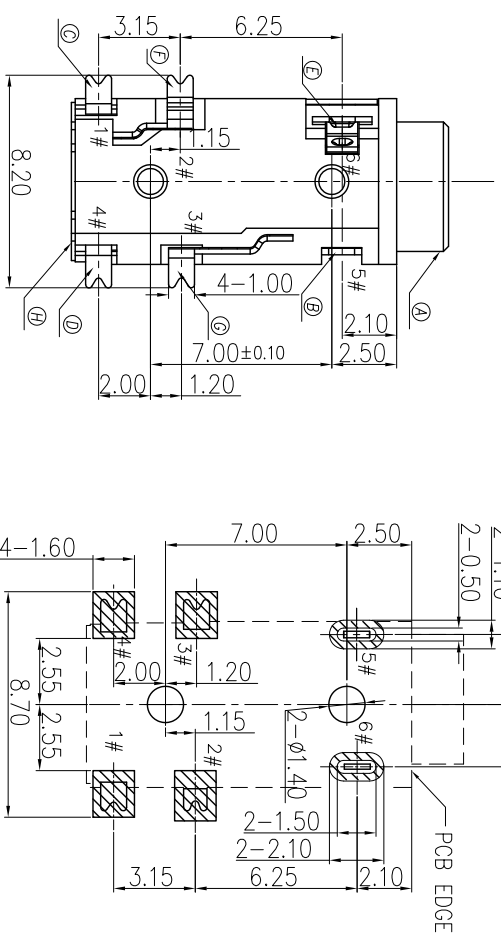
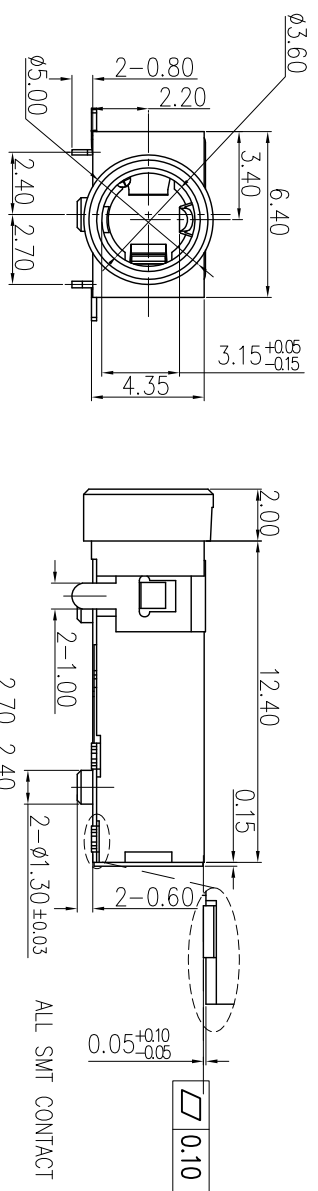
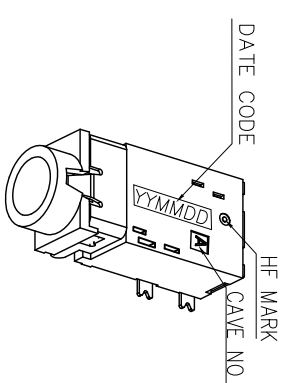
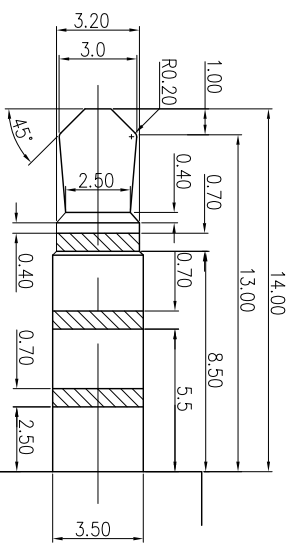


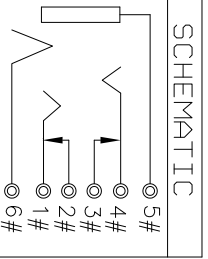
REV. A	ECN NO. OR DESCRIPTION	REVISED	DATE
	PRODUCT RELEASE	LANDY	2013.11.26



RECOMMENDED PCB LAYOUT
TOP VIEW (TOLERANCE: ±0.05)



3.5Ø 4POLE PLUG



- SPECIFICATIONS:
- ELECTRICAL CHARACTERISTICS:
 - RATING: 12V 1A
 - CONTACT RESISTANCE: 30mΩ MAX (INITIAL)
 - DIELECTRIC WITHSTANDING VOLTAGE: 500V AC FOR ONE MINUTE.
 - INSULATION RESISTANCE: 100MΩ MIN. MEASURED BY 500 VDC
 - MECHANICAL CHARACTERISTICS:
 - INSERTION FORCE : 0.3~3.0 KGf
 - WITHDRAWAL FORCE : 0.3~3.0 KGf
 - LIFE TEST: 5,000 CYCLES.
 - OTHER GENERAL SPEC. TO REFER "2S42269 SERIES SPEC".
 - TO CONFORM TO SINGATRON HAZARDOUS SUBSTANCE SPEC.
 - HALOGEN FREE PRODUCT IDENTIFICATION MARK ON JACK.
 - HALOGEN FREE PRODUCT IDENTIFICATION LABEL ON PACKAGING. (C)
 - FOR REFLOW SOLDERING LEAD-FREE PROCESS.
 - PACKAGING: TAPE & REEL. (C)



H	COVER	1	STAINLESS STEEL 0.15t		
G	SHUNT-B	1	COPPER ALLOY 0.2t	Au 3μ" Min.	
F	SHUNT-A	1	COPPER ALLOY 0.2t	Au 3μ" Min.	
E	RING SPRING-B	1	COPPER ALLOY 0.2t	Au 3μ" Min.	
D	RING SPRING-A	1	COPPER ALLOY 0.2t	Gold flash on contact area	
C	TIP SPRING	1	COPPER ALLOY 0.2t	And solder (oh) all over	
B	EARTH SPRING	1	COPPER ALLOY 0.2t	Nickel plated	
A	BODY	1	HIGH TEMP. THERMOPLASTIC	White COLOR	
NO	DESCRIPTION	QTY	MATERIAL	PLATING & COLOR	
UNLESS OTHERWISE SPECIFIED TOLERANCES					
Singatron Enterprise Co., Ltd. 信登企業股份有限公司					
TITLE		3.5Ø PHONE JACK			
DWG	13/11/27	PART NO.	2S42269-000151F		
CHKD	13/11/27	SCALE	5:1	UNIT:	mm
APVD	13/11/27	SIZE:	A3	SHEET:	10F1
CUSTOMER COPY					