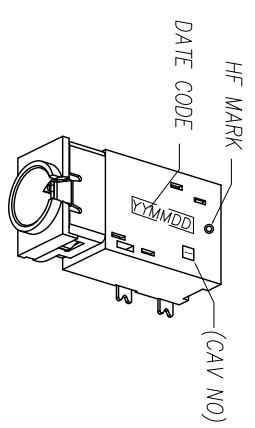
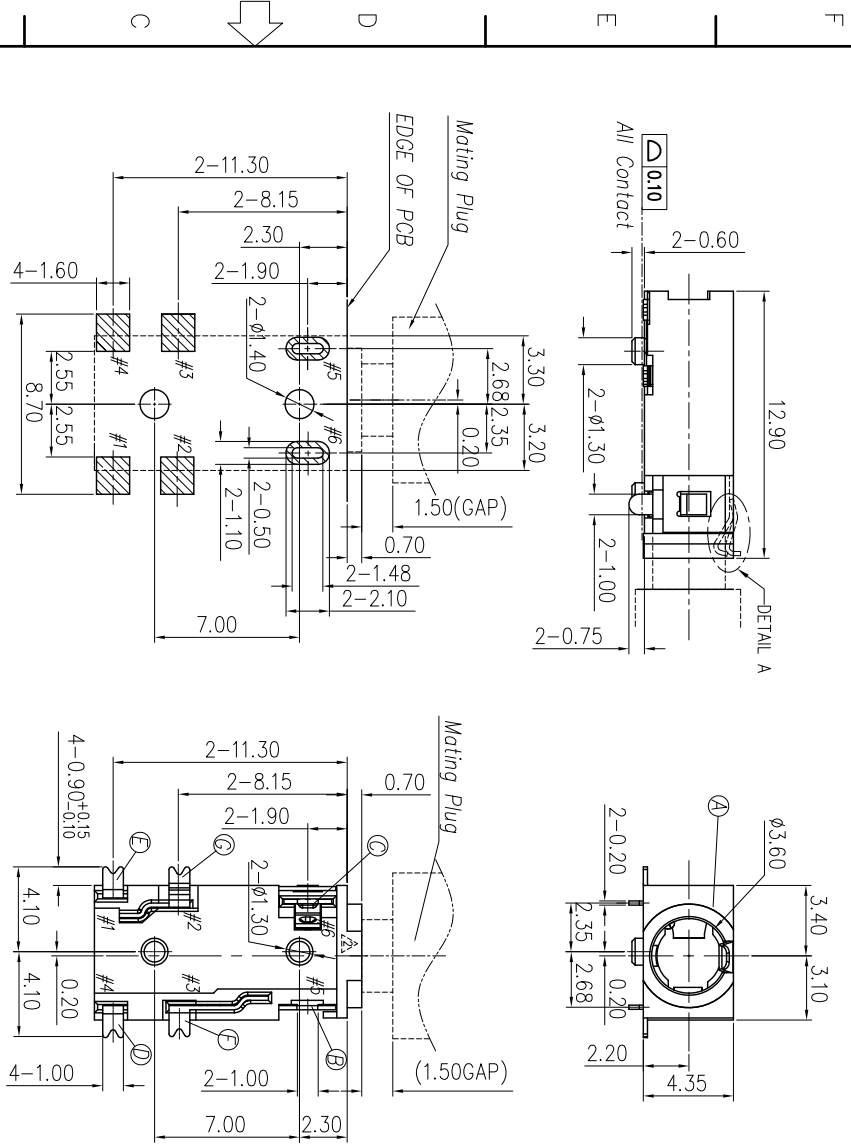


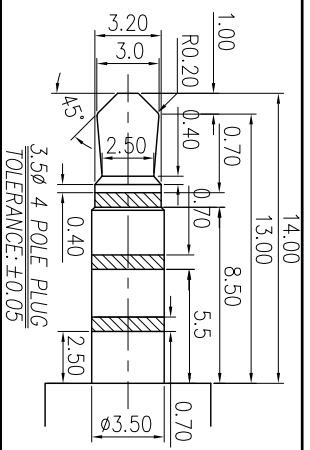
REV.	ECON NO OR DESCRIPTION	REVISED	DATE
A	PRODUCT RELEASE	MEIGC	2012.12.16



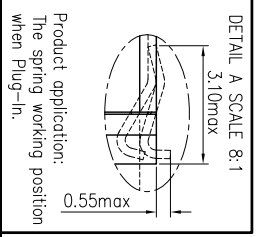
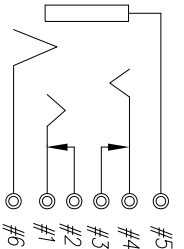
- SPECIFICATIONS:
1. ELECTRICAL CHARACTERISTICS:
- 1-1. RATING: 12V/1A
 - 1-2. CONTACT RESISTANCE: 30mΩ MAX.
 - 1-3. DIELECTRIC WITHSTANDING VOLTAGE: 500V AC FOR ONE MINUTE.
 - 1-4. INSULATION RESISTANCE: 100MΩ MIN. MEASURED BY 500 VDC
2. MECHANICAL CHARACTERISTICS:
- 2-1. INSERTION FORCE : 0.3~3.0 KGF
 - 2-2. WITHDRAWAL FORCE : 0.3~3.0 KGF
3. LIFE TEST: 5000 CYCLES MIN.
4. OTHER GENERAL SPEC. TO REFER "3.5Φ PHONE JACK SPEC."
5. TO CONFORM TO THE SINGATRON HAZARDOUS SUBSTANCE FREE SPEC.
6. HALOGEN FREE PRODUCT IDENTIFICATION MARK ON JACK:
7. HALOGEN FREE PRODUCT IDENTIFICATION LABEL ON PACKAGING:
8. FOR REFLOW SOLDERING LEAD-FREE PROCESS.
9. PACKAGING: TAPE&REEL



RECOMMENDED PCB LAYOUT T=1.20
TOP VIEW (TOLERANCE: ±0.05)



SCHEMATIC



NO	DESCRIPTION	QTY	MATERIAL	PLATING & COLOR
A	BODY	1	HIGH TEMP. THERMOPLASTIC UL94V-0	BLACK
B	EARTH	1	COPPER ALLOY 0.2t	
C	RING -B	1	COPPER ALLOY 0.2t	
D	RING -A	1	COPPER ALLOY 0.2t	
E	TIP	1	COPPER ALLOY 0.2t	
F	SHUNT-B	1	COPPER ALLOY 0.2t	
G	SHUNT-A	1	COPPER ALLOY 0.2t	

UNLESS OTHERWISE SPECIFIED TOLERANCES

DECIMALS:	ANGLES:
X : ±0.5	X : ±2°
X.X : ±0.3	X.X : ±1°
X.XX : ±0.2	

TITLE	3.5Φ PHONE JACK		
DWN	MEIGC 2012.11.21	PART NO.	2SJ2269-003121F
CHKD	MUKAN 2012.11.21	SCALE	4:1
APVD	MUKAN 2012.11.21	SIZE:	A3
		SHEET1	OF 1
		REV.	A

CUSTOMER COPY

Singatron Enterprise Co., Ltd.
信音企業股份有限公司