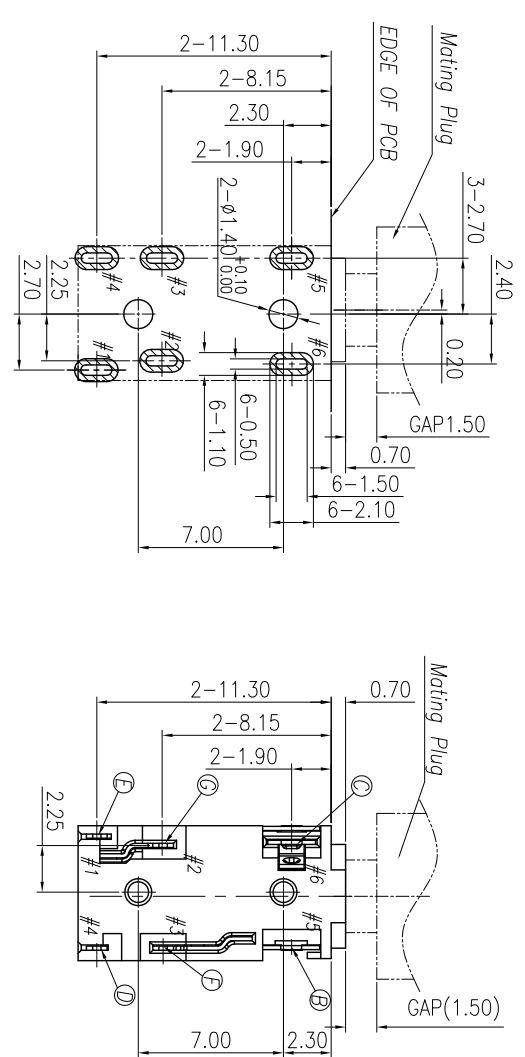
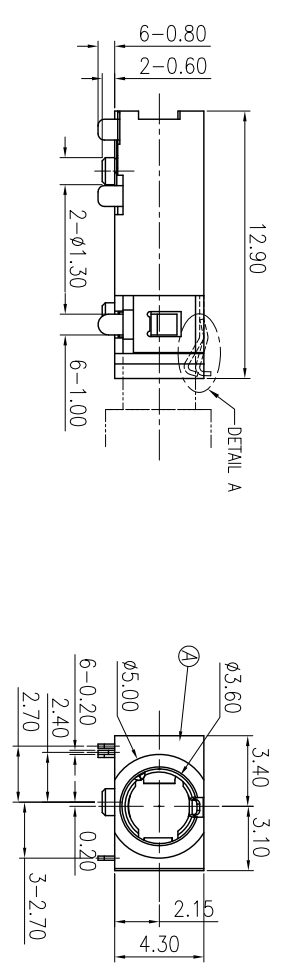
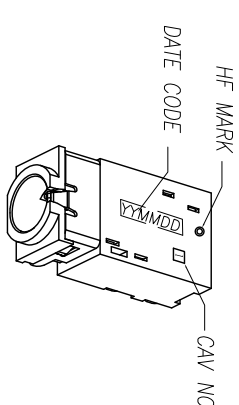
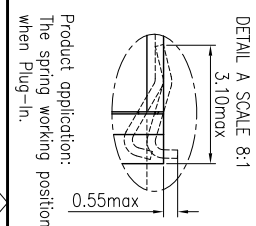
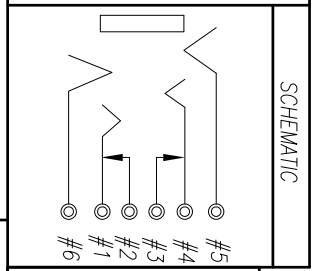
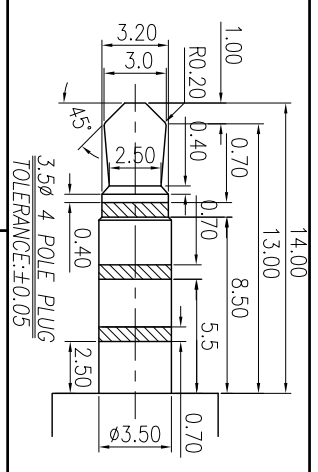


REV. A	ECN NO. OR DESCRIPTION	REVISED	DATE
A	PRODUCT RELEASE	LA007	2013.11.18



RECOMMENDED PCB LAYOUT T=1.20
TOP VIEW (TOLERANCE:±0.05)



- SPECIFICATIONS:
1. ELECTRICAL CHARACTERISTICS:
- 1-1. RATING: 12V/1A
 - 1-2. CONTACT RESISTANCE: 30mΩ MAX.
 - 1-3. DIELECTRIC WITHSTANDING VOLTAGE: 500V AC FOR ONE MINUTE.
 - 1-4. INSULATION RESISTANCE: 100MΩ MIN. MEASURED BY 500 VDC.
2. MECHANICAL CHARACTERISTICS:
- 2-1. INSERTION FORCE : 0.2~3.0 KGF
 - 2-2. WITHDRAWAL FORCE : 0.2~3.0 KGF
3. LIFE TEST: 10000 CYCLES.
4. OTHER GENERAL SPEC. TO REFER "3.5Ø PHONE JACK SPEC".
5. TO CONFORM TO THE SINGATRON HAZARDOUS SUBSTANCE FREE SPEC.
6. HALOGEN FREE PRODUCT IDENTIFICATION MARK ON JACK:
7. HALOGEN FREE PRODUCT IDENTIFICATION LABEL ON PACKAGING:
8. FOR REFLOW SOLDERING LEAD-FREE PROCESS.
9. PACKAGING: TAPE&REEL

G	SHUNT-A	1	COPPER ALLOY 0.2t		
F	SHUNT-B	1	COPPER ALLOY 0.2t		
E	TIP	1	COPPER ALLOY 0.2t		GOLD FLASH ON CONTACT AREA AND SOLDER TAIL.
D	RING -A	1	COPPER ALLOY 0.2t		ALL OVER NICKEL PLATED
C	RING -B	1	COPPER ALLOY 0.2t		
B	EARTH	1	COPPER ALLOY 0.2t		
A	BODY	1	HI-TEMP THERMOPLASTIC	BLUE	
UNLESS OTHERWISE SPECIFIED TOLERANCES		QTY	MATERIAL	PLATING & COLOR	
DECIMALS:		TITLE			
X	±0.5	3.5Ø PHONE JACK			
X.X	±0.3	DWN 13/11/19 PART NO. 2SJ2269-005122F			
X.XX	±0.3	CHKD 13/11/19 SCALE 4:1 UNIT: mm			
X.XX	±0.2	APVD 13/11/19 SIZE: A3 SHEET: 1 OF 1 REV: A			
CUSTOMER COPY					

Singatron Enterprise Co., Ltd.
信音企業股份有限公司