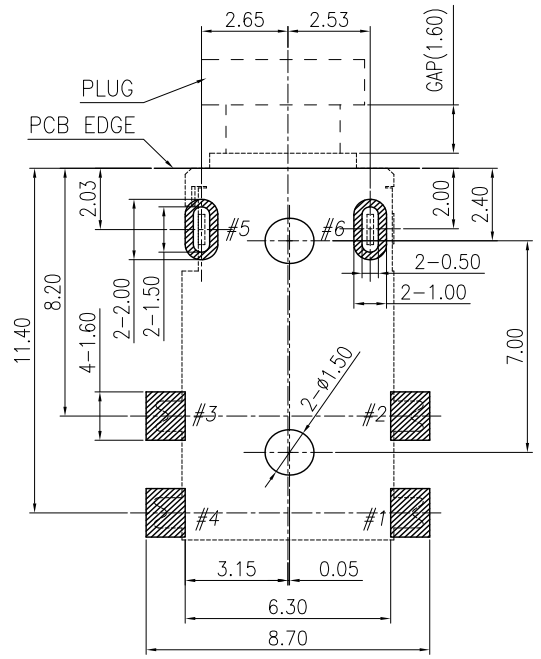
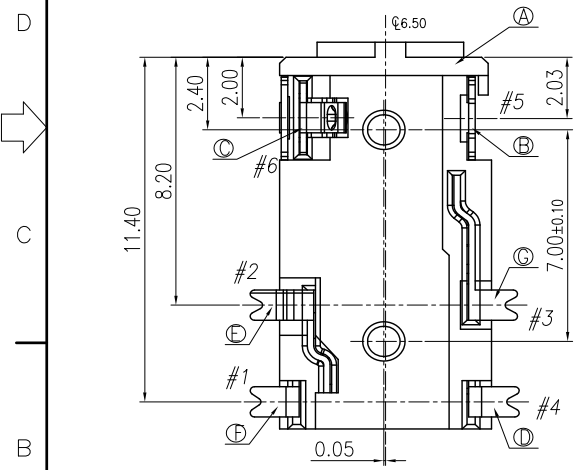
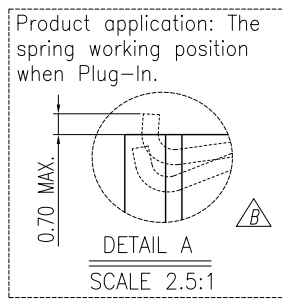
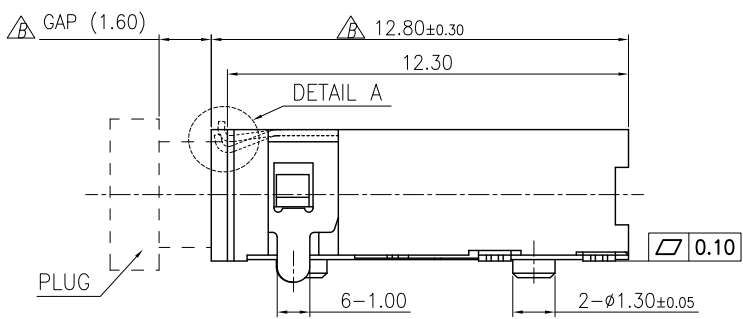
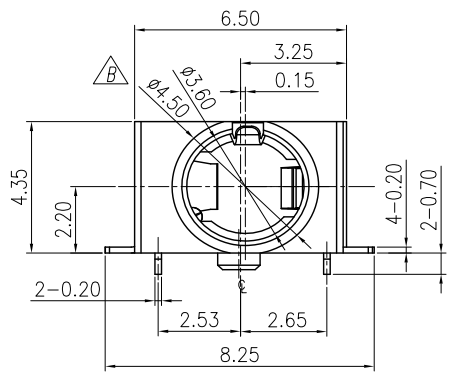


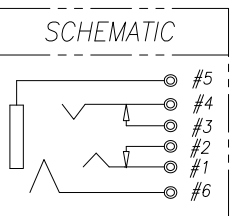
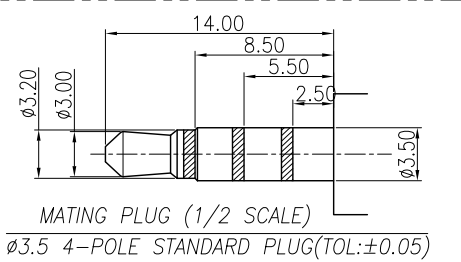
REV.	ECN NO OR DESCRIPTION	REVISED	DATE
A	PRODUCT RELEASE	WZJ	2013.11.04
B	ECN:C140042, MODIFY BODY AND EARTH	REX	2014.05.06



**SPECIFICATIONS:**

- ELECTRICAL CHARACTERISTICS:**
  - 1-1. RATING: 12V/1A
  - 1-2. CONTACT RESISTANCE: 30m Ω MAX.(INITIAL)
  - 1-3. DIELECTRIC WITHSTANDING VOLTAGE: 500V AC FOR ONE MINUTE.
  - 1-4. INSULATION RESISTANCE: 100MΩ MIN. MEASURED BY 500 VDC
- MECHANICAL CHARACTERISTICS:**
  - 2-1. INSERTION FORCE : 0.3~3.0 KGF
  - 2-2. WITHDRAWAL FORCE : 0.3~3.0 KGF
- LIFE TEST: 5000 CYCLES.**
- OTHER GENERAL SPEC. TO REFER "3.5φ PHONE JACK SPEC".**
- TO CONFORM TO SINGATRON HAZARDOUS SUBSTANCE FREE SPEC.**
- THIS IS HALOGEN FREE PRODUCT.**
- HALOGEN FREE PRODUCT IDENTIFICATION LABEL ON PACKAGING:**
- FOR REFLOW SOLDERING LEAD-FREE PROCESS.**
- PACKAGING: TAPE & REEL.**

G	SHUNT-B	1	COPPER ALLOY 0.20t	GOLD FLASH ON CONTACT AREA AND SOLDER TAIL, ALL OVER NICKEL PLATED
F	TIP	1	COPPER ALLOY 0.20t	
E	SHUNT-A	1	COPPER ALLOY 0.20t	
D	RING-A	1	COPPER ALLOY 0.20t	
C	RING-B	1	COPPER ALLOY 0.20t	
B	EARTH	1	COPPER ALLOY 0.20t	
A	BODY	1	HIGH TEMPERATURE THERMOPLASTIC	BLACK
NO	DESCRIPTION	QTY	MATERIAL	PLATING & COLOR



RECOMMENDED PCB LAYOUT TOP VIEW (TOLERANCE: ±0.05)

UNLESS OTHERWISE SPECIFIED TOLERANCES		Singatron Enterprise Co., Ltd. 信音企業股份有限公司		
DECIMALS:	ANGLES:	TITLE	ø3.5 PHONE JACK	
X :±0.5	X :±2°	DWN	REX 14/5/8	<b>PART NO. 2SJ2269-006121F</b>
X.X :±0.3	X.X :±1°	CHKD	WZJ 14/5/8	SCALE 5:1 UNIT: mm
X.XX :±0.2		APVD	Li00 14/5/8	SIZE: A3 SHEET: 10F1 REV: B
<b>CUSTOMER COPY</b>				