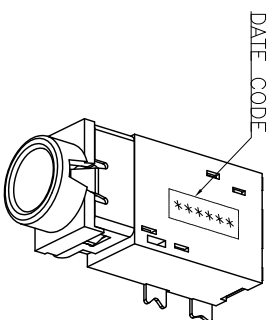


REV.	ECN NO OR DESCRIPTION	REVISED	DATE
A	INITIAL RELEASE	孫一中	2009.06.01
B	ECN NO:C100448 MODIFY DIM	LONGJIANG	2010.12.16
C	ECN NO:C110290Modify life test cycles	LONGJIANG	2011.11.18



DATE CODE

SPECIFICATIONS:

1. ELECTRICAL CHARACTERISTICS:

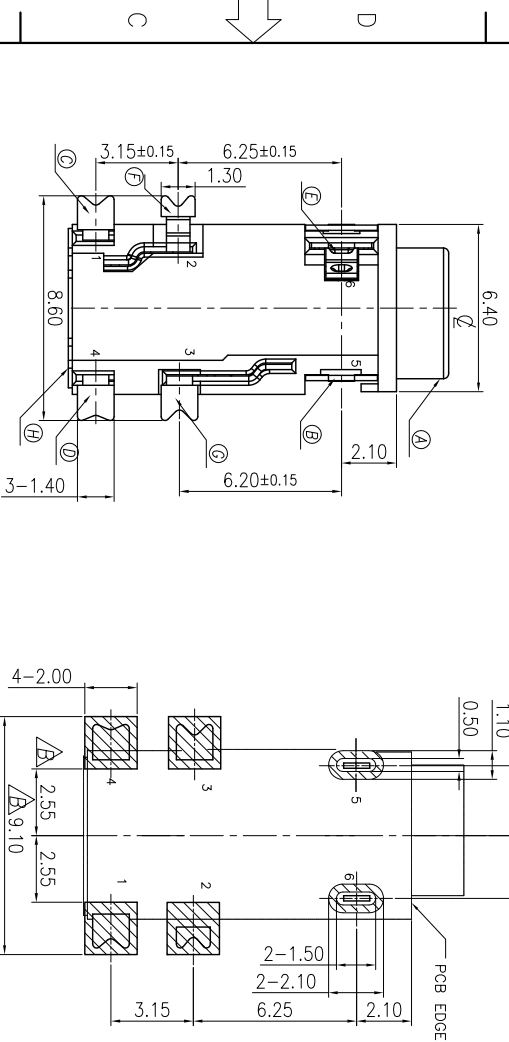
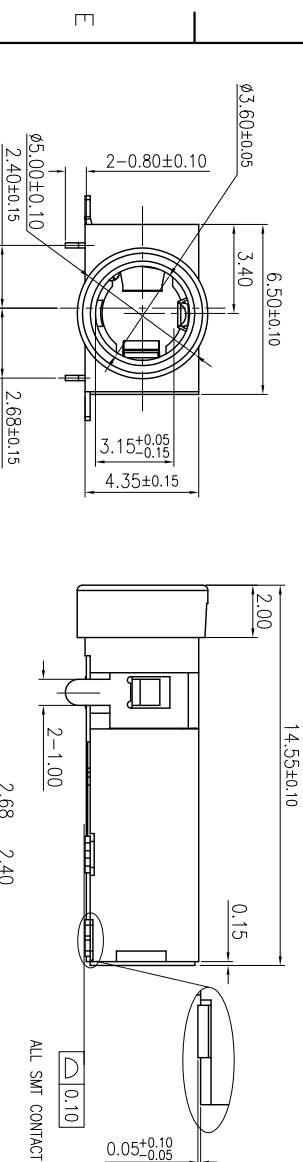
- 1-1. RATING: 12V 1A
- 1-2. CONTACT RESISTANCE: 30mΩ MAX.(INITIAL)
- 1-3. DIELECTRIC WITHSTANDING VOLTAGE: 500V AC FOR ONE MINUTE.
- 1-4. INSULATION RESISTANCE: 100MΩ MIN. MEASURED BY 500 VDC.

2. MECHANICAL CHARACTERISTICS:

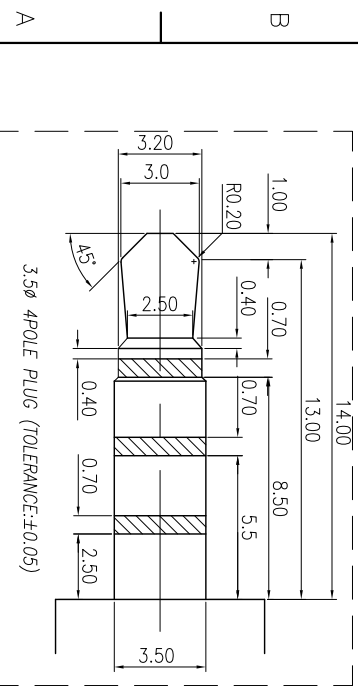
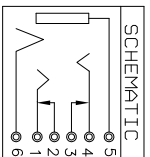
- 2-1. INSERTION FORCE : 0.3~3.0 KGF
- 2-2. WITHDRAWAL FORCE : 0.3~3.0 KGF

△3. LIFE TEST: 5,000 CYCLES MIN.

- 4. OTHER GENERAL SPEC. TO REFER "2SJ2269 SERIES SPEC".
- 5. TO CONFORM TO SINGATRON HAZARDOUS SUBSTANCE FREE SPEC.
- 6. GREEN PRODUCT IDENTIFICATION MARK ON JACK:
- 7. GREEN PRODUCT IDENTIFICATION LABEL ON PACKAGING: **G.P. PASS**
- 8. FOR REFLOW SOLDERING LEAD-FREE PROCESS.



RECOMMENDED P.C.B. LAYOUT
TOP VIEW (TOLERANCE: ±0.05)



H	COVER	1	COPPER ALLOY 0.2t	NI
G	SHUNT-B	1	COPPER ALLOY 0.2t	Au 15u" Min.
F	SHUNT-A	1	COPPER ALLOY 0.2t	Au 15u" Min.
E	RING SPRING-B	1	COPPER ALLOY 0.2t	Au 15u" Min.
D	RING SPRING-A	1	COPPER ALLOY 0.2t	Au 15u" Min.
C	TIP SPRING	1	COPPER ALLOY 0.2t	Au 15u" Min.
B	EARTH SPRING	1	COPPER ALLOY 0.2t	Au 15u" Min.
A	BODY	1	HIGH TEMP. THERMOPLASTIC	BLACK COLOR
NO	DESCRIPTION	QTY	MATERIAL	PLATING & COLOR

UNLESS OTHERWISE SPECIFIED TOLERANCES

DECIMALS:	ANGLES:
X : ±0.5	X : ±2°
X.X : ±0.3	X.X : ±1'
X.XX : ±0.2	

TITLE	PART NO.	UNIT	SHEET	REV.
3.5Ø PHONE JACK	2SJ2269-204111	mm	10F1	C

Singatron Enterprise Co., Ltd.
信亨企業股份有限公司

CUSTOMER COPY