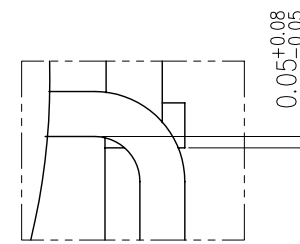
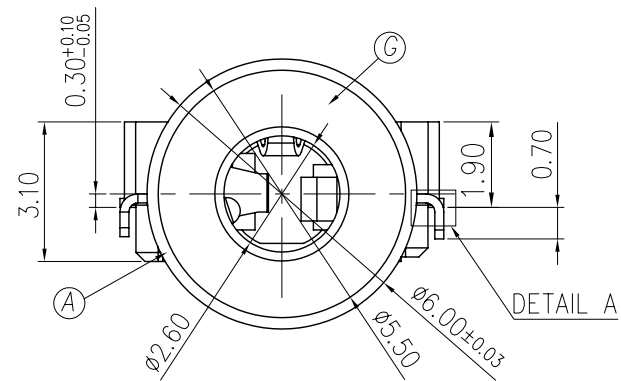
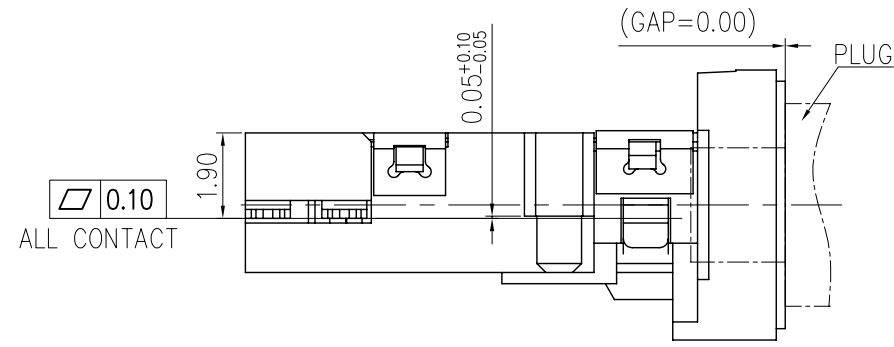
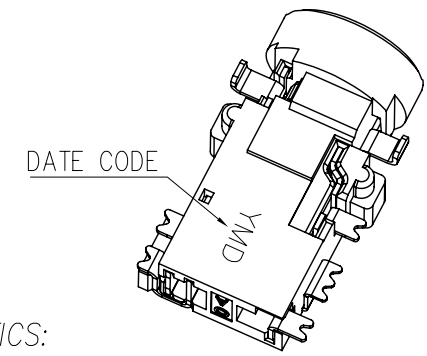


REV.	ECN NO OR DESCRIPTION	REVISED	DATE
A	PRODUCT RELEASE	WZJ_Wei	2016.08.05
B	ECN NO.C170013 BODY MATERIAL MODIFY	Weijie.Zeng	2017.04.14

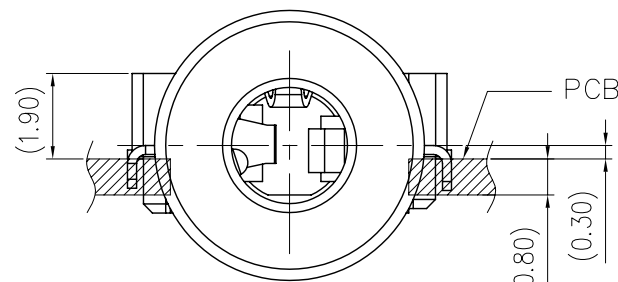
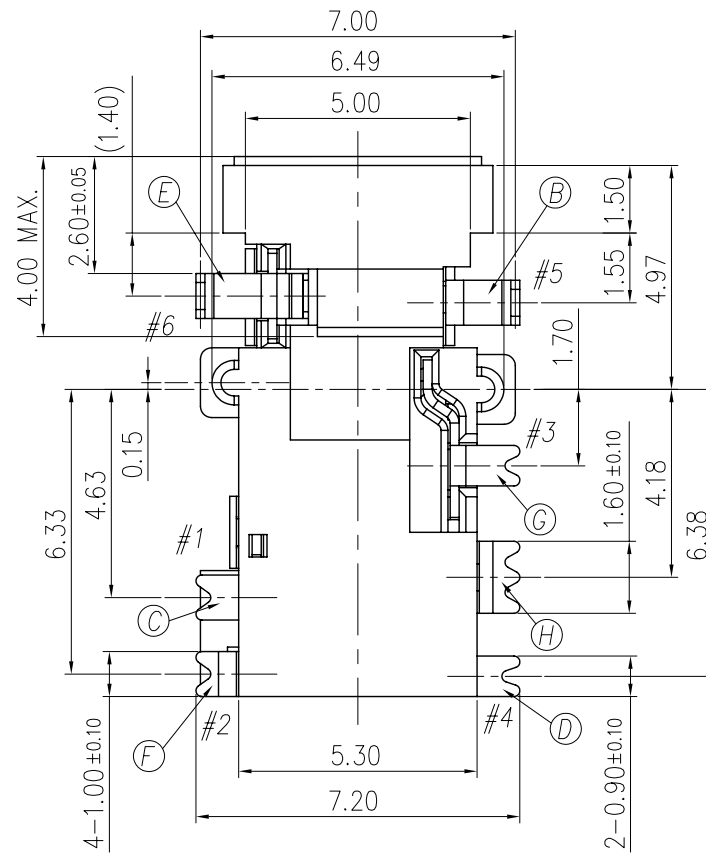
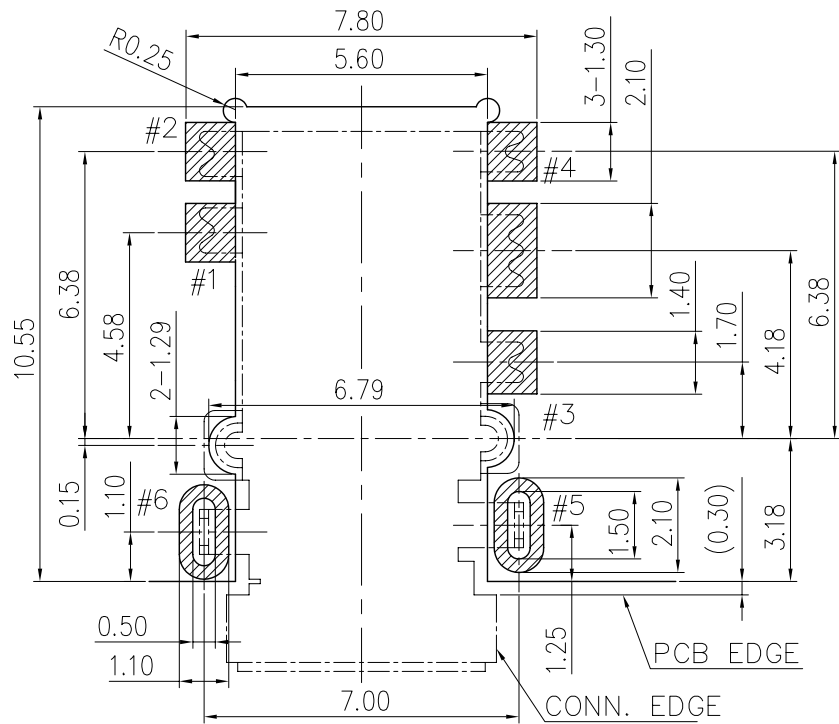


DETAIL A  
SCALE 5:1

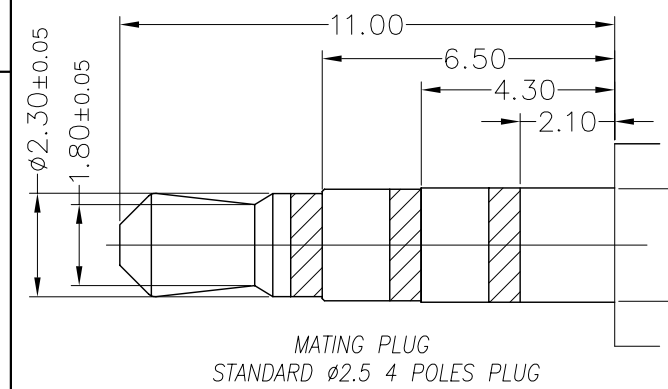
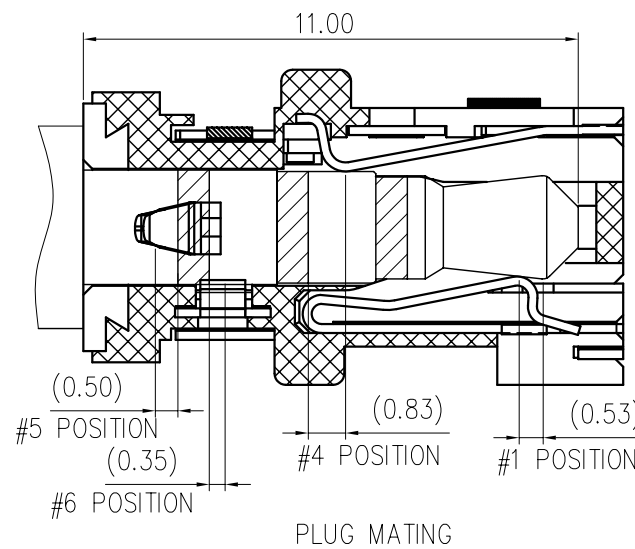


SPECIFICATIONS:

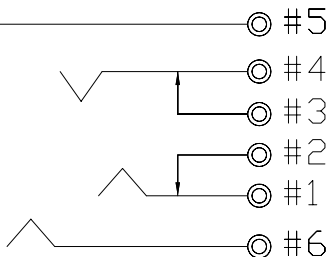
- ELECTRICAL CHARACTERISTICS:
  - RATING: 12V, 1A
  - CONTACT RESISTANCE: 30mΩ MAX
  - DIELECTRIC VOLTAGE WITHSTAND: 500V AC FOR ONE MINUTE
  - INSULATION RESISTANCE: 100MΩ MIN. MEASURED BY 500 VDC
- MECHANICAL CHARACTERISTICS:
  - INSERTION FORCE : 1.0~3.0 KGF.
  - WITHDRAWAL FORCE : 1.0~3.0 KGF
- LIFE TEST: 5,000 CYCLES MIN.
- OTHERS TO CONFORM TO THE SINGATRON Ø2.5 AUDIO JACK SPEC.
- TO CONFORM TO SINGATRON HAZARDOUS SUBSTANCE FREE SPEC.
- HALOGEN FREE PRODUCT IDENTIFICATION MARK:
- HALOGEN FREE PRODUCT IDENTIFICATION LABEL ON PACKAGING:
- FOR REFLOW SOLDERING LEAD-FREE PROCESS.
- PACKAGING: TAPE & REEL.



RECOMMENDED PCB LAYOUT  
TOP VIEW (TOLERANCE: ±0.05)



SCHEMATIC



E	METAL	1	BRASS	G/F PLATING, 40u" MIN. Ni ALL OVER PLATING
H	SHELL	1	C5191-H 0.15T	
G	SHUNT TERMINAL-B	1	C5191-H 0.2T	
F	SHUNT TERMINAL-A	1	C5191-H 0.2T	
E	RING SPRING B	1	C5191-H 0.2T	
D	RING SPRING A	1	C5210-EH 0.2T	G/F ON CONTACT AND SOLDER AREA, 40u" MIN. Ni ALL OVER PLATING
C	TIP SPRING	1	YUCT-FX-EH 0.2T	
B	EARTH	1	C5210-EH 0.2T	
A	HOUSING	1	PA4T+30%GF	BLACK
NO	DESCRIPTION	QTY	MATERIAL	PLATING & COLOR

UNLESS OTHERWISE  
SPECIFIED TOLERANCES

DECIMALS: ANGLES:  
X : ±0.5 X : ±2°  
X.X : ±0.3 X.X : ±1°  
X.XX : ±0.2

Singatron Enterprise Co., Ltd.  
信音企業股份有限公司

TITLE	Ø2.50MM PHONE JACK		
DWN	weijie-Zeng 17/04/20	PART NO. 2SJ2270-005111F	
CHKD	Qicai-Hu 17/04/20	SCALE 6:1	UNIT: mm
APVD	Zjz-Zhou 17/04/20	SIZE: A3	SHEET: 10F1

CUSTOMER COPY