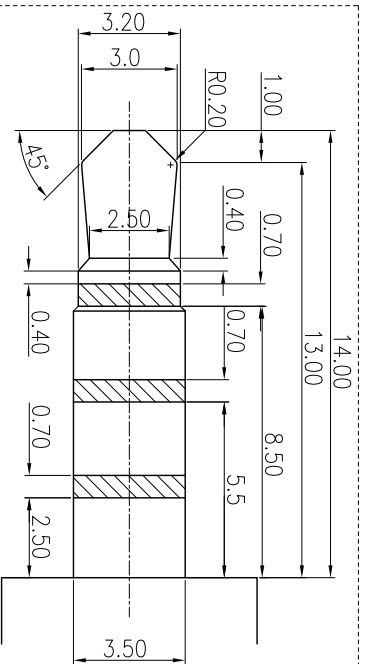


- SPECIFICATIONS:**
- ELECTRICAL CHARACTERISTICS:
 - 1-1. RATING: 36V DC 1A
 - 1-2. CONTACT RESISTANCE: 30mΩ MAX (BEFORE).
 2. MATING FORCE 3kg Max. UNMATING FORCE 0.3kg Min.
 3. LIFE TEST: 10,000 CYCLES MIN.
 4. PACKING: TAPE & REEL
 - TO CONFORM TO THE "SE-01-001" & "ROHS DIRECTIVE"
 - HALOGEN FREE PRODUCT IDENTIFICATION MARK
 - HALOGEN FREE PRODUCT IDENTIFICATION LABEL ON PACKAGING
 - FOR REFLOW SOLDERING LEAD-FREE PROCESS.
 - SOLDER HEAT RESISTANCE REFLOW SOLDERING 260°C 10SECS.
 - PRINTED DATE CODE "YYMMDD" ON TOP OF CONNECTOR.
- DATE CODE: YY MM DD
 DD: DAY (01~31)
 MM: MONTH (01~12)
 YY: YEAR (00~99)

RECOMMENDED PCB LAYOUT
 TOP VIEW (TOLERANCE: ±0.05)



REV.	ECN NO OR DESCRIPTION	REVISED	DATE
A	INITIAL RELEASE	顏禮明	10/10/07
B	ECN: C110138 ADD DIM	LONGJIANG	2011.5.12

NO	DESCRIPTION	QTY	MATERIAL	PLATING & COLOR
E	BODY	1	HIGH TEMP. THERMOPLASTIC	BLACK COLOR
D	RING SPRING A	1	COPPER ALLOY 0.2t	Ni40~120u"/Au1~3u"
C	TIP SPRING	1	COPPER ALLOY 0.2t	Ni40~120u"/Au1~3u"
B	RING SPRING B	2	COPPER ALLOY 0.2t	Ni40~120u"/Au1~3u"
A	EARTH	1	COPPER ALLOY 0.2t	Ni40~120u"/Au1~3u"

UNLESS OTHERWISE SPECIFIED TOLERANCES

TITLE	DECIMALS:	ANGLES:
3.5φ PHONE JACK	X : ±0.5 X.X : ±0.3 X.XX : ±0.2	X : ±2° X.X : ±1° X.XX : ±0.2

Singatron Electronic Co., Ltd. 信音企業股份有限公司	
DWN	LONGWAY 2011.5.24
CHKD	ZP 2011.5.24
APVD	Leo 2011.5.24
PART NO: 2SJ2271-002111 SCALE: N/A UNIT: mm SIZE: A3 SHEET: 10F1 REV: B	
CUSTOMER COPY	