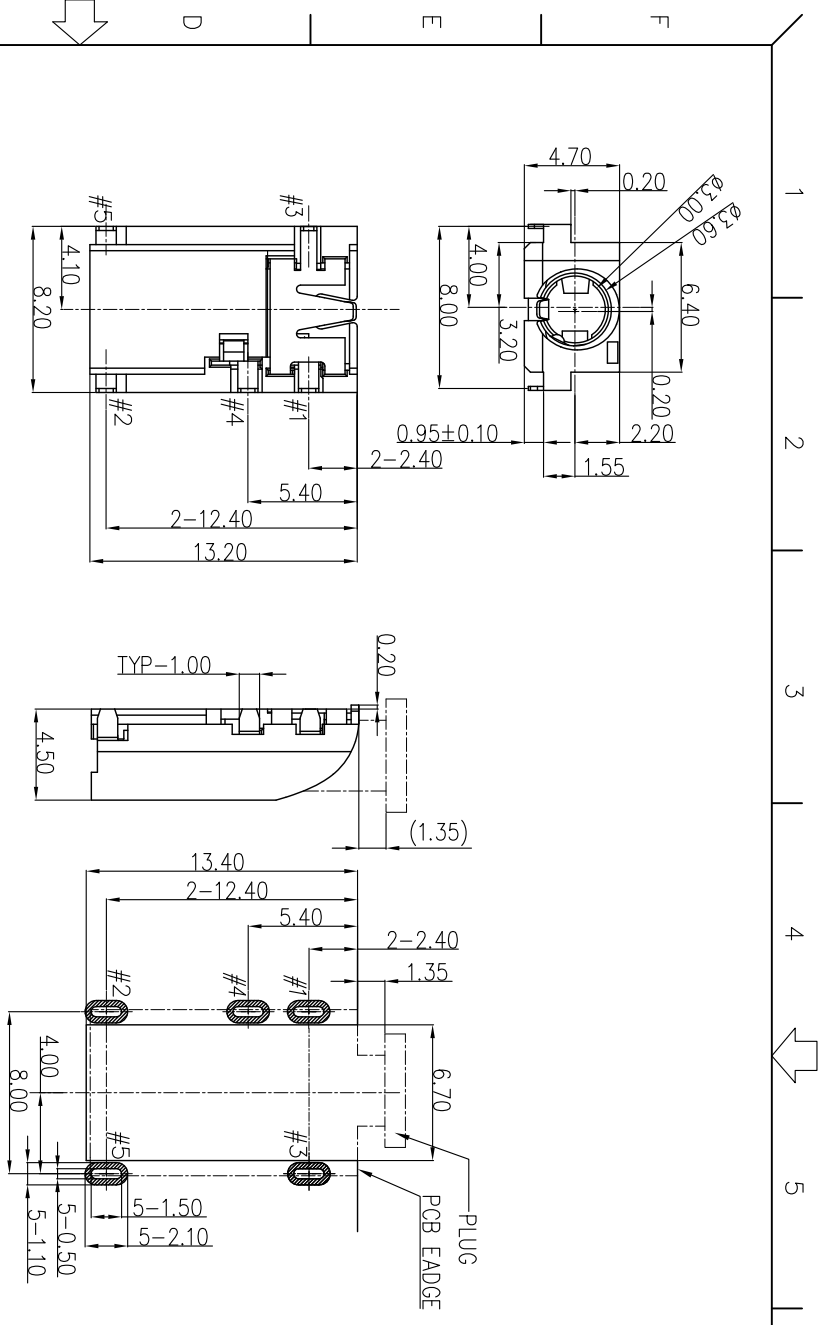
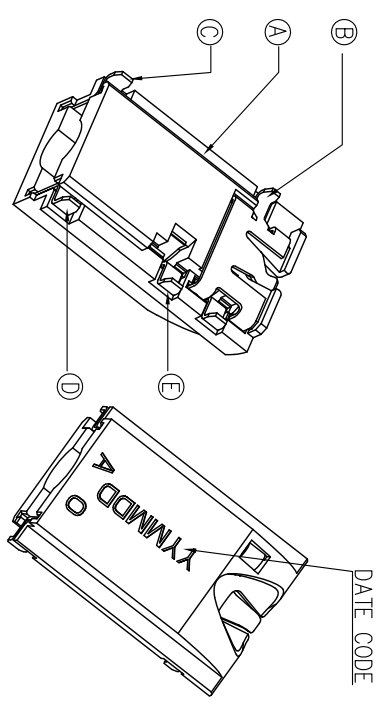
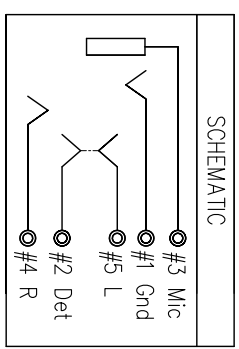
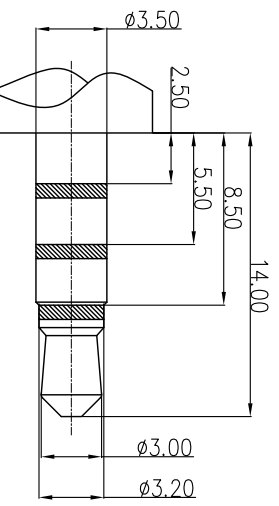


REV.	ECN NO.	OR DESCRIPTION	REVISED	DATE
A		PRODUCT RELEASE	Sticky	2011.01.17
B	ECN: C120193	UPDATE DRAWING	DAOWEN	2012.06.18



RECOMMENDED P.C.B. LAYOUT  
TOP VIEW (TOLERANCE: ±0.05)

- SPECIFICATIONS:
- ELECTRICAL CHARACTERISTICS:
    - RATING: 12V AC, 1A DC.
    - CONTACT RESISTANCE: 30mΩ MAX(INITIAL).
  - MECHANICAL CHARACTERISTICS
    - INSERTION FORCE: 0.3~3kgF.
    - WITHDRAWAL FORCE: 0.3~3kgF.
    - LIFE TEST: 5000 CYCLES MIN.
    - TO CONFORM TO THE SINGATRON HSF SPECIFICATION.
    - HALOGEN FREE PRODUCT IDENTIFICATION MARK ON PRODUCT: ©
    - HALOGEN FREE PRODUCT IDENTIFICATION LABEL ON PACKAGING: ©
    - FOR REFLOW SOLDERING LEAD-FREE PROCESS.
    - PACKAGING: TAPE & REEL



MATING PLUG(TOLERANCE: ±0.05)  
Ø3.5 4-POLE STANDARD PLUG

NO	DESCRIPTION	QTY	MATERIAL	PLATING & COLOR
A	BODY	1	HIGH TEMP. THERMOPLASTIC UL 94V-0	BLACK
B	EARTH	1	COPPER ALLOY T=0.2	GOLD FLASH
C	TIP A	1	COPPER ALLOY T=0.2	all over Nickel Plated
D	TIP B	1	COPPER ALLOY T=0.2	Gold Flash on contact area and Solder tail,
E	RING	2	COPPER ALLOY T=0.2	GOLD FLASH

UNLESS OTHERWISE SPECIFIED TOLERANCES

Singatron Enterprise Co., Ltd.  
信登企業股份有限公司

DECIMALS:	ANGLES:	TITLE
X : ±0.5	X : ±2°	Ø3.5 PHONE JACK
X.X : ±0.3	X.X : ±1°	PART NO. 25J2271-002221
X.XX : ±0.2		SCALE 4:1 UNIT: mm
		SIZE: A3 SHEET: 10F1 REV: B

CUSTOMER COPY