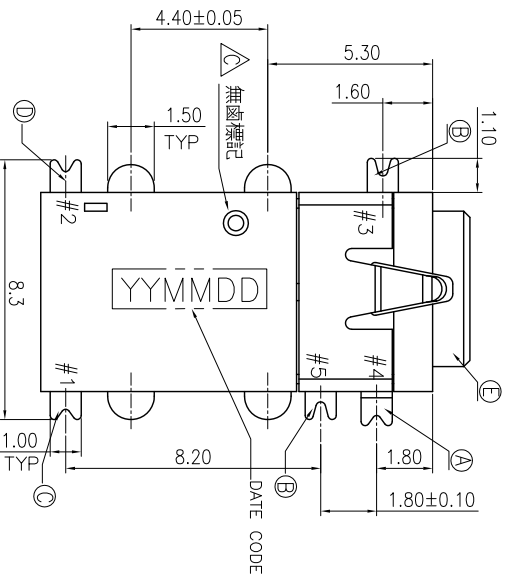
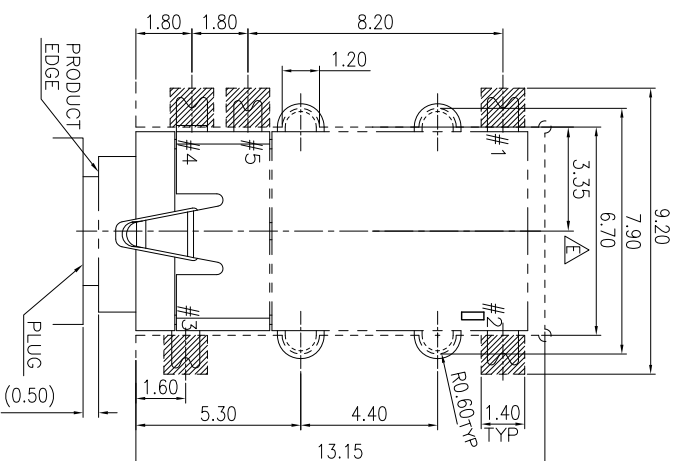
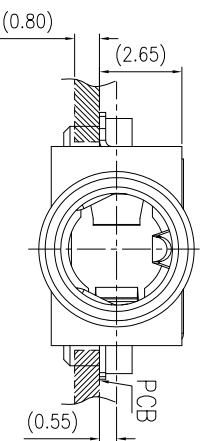


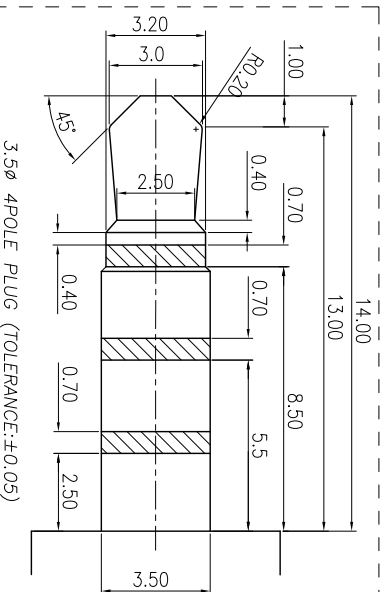
REV.	ECN NO OR DESCRIPTION	REVISED	DATE
C	ECN NO.: C100325 修改圖面與實物一致。	BILLY	2010.08.17
D	ECN: C10387 Modify plating	LONGJIANG	2012.01.03
E	ECN NO.: C130138 ADD SIZE	ZJK	2013.06.25



- SPECIFICATIONS:
- ELECTRICAL CHARACTERISTICS:
    - 1-1. RATING: 12V MAX.
    - 1-2. CONTACT RESISTANCE: 30mΩ MAX (INITIAL).
  - MECHANICAL CHARACTERISTICS:
    - 2-1. INSERTION FORCE: 3.0KGF MAX
    - 2-2. WITHDRAWAL FORCE: 0.3KGF MIN
  - LIFE TEST: 10,000 CYCLES MIN.
  - PACKAGING: TAPE & REEL
  - TO CONFORM TO THE SINGATRON HSF SPECIFICATION.
  - HALOGEN FREE PRODUCT IDENTIFICATION MARK ON PRODUCT:
  - HALOGEN PRODUCT IDENTIFICATION LABEL ON PACKAGING:
  - FOR REFLOW SOLDERING LEAD-FREE PROCESS.
  - SOLDER HEAT RESISTANCE REFLOW SOLDERING 260°C 10SECS.
  - DATE CODE: MM DD  
 Day Month Year



RECOMMENDED PCB LAYOUT  
TOP VIEW (TOLERANCE: ±0.05)



3.5Ø 4POLE PLUG (TOLERANCE: ±0.05)

NO	DESCRIPTION	QTY	MATERIAL	PLATING & COLOR
E	BODY	1	THERMOPLASTIC HIGH TEMP	BLACK COLOR
D	RING SPRING A	1	COPPER ALLOY 0.2t	GOLD FLASH
C	TIP SPRING	1	COPPER ALLOY 0.2t	Gold flash on contact area And solder tail, all over Nickel plated
B	RING SPRING B	2	COPPER ALLOY 0.2t	GOLD FLASH
A	EARTH	1	COPPER ALLOY 0.2t	GOLD FLASH
NO	DESCRIPTION	QTY	MATERIAL	PLATING & COLOR

UNLESS OTHERWISE SPECIFIED TOLERANCES

DECIMALS: ANGLES:

X : ±0.5 X : ±2°  
 X.X : ±0.3 X.X : ±1°  
 X.XX : ±0.2

Singatron Enterprise Co., Ltd.  
 信登企業股份有限公司

TITLE: 3.5Ø PHONE JACK

DWN ZJK 13/7/14 PART NO. 25J2271-006111  
 CHKD ZJK 13/7/14 SCALE 6:1 UNIT: mm  
 APVD Loo 13/7/14 SIZE: A3 SHEET: 10F1 REV: B

CUSTOMER COPY