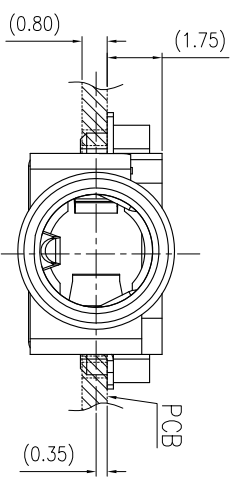
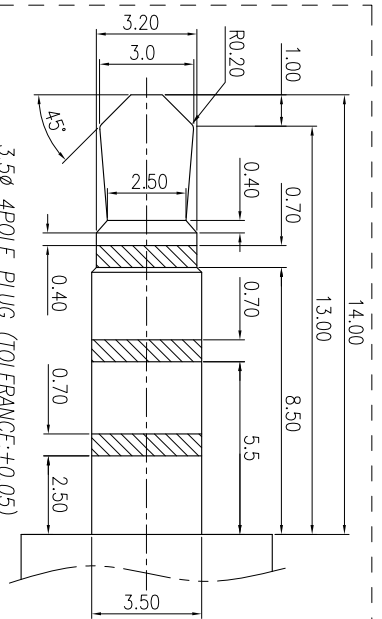


- SPECIFICATIONS:
- ELECTRICAL CHARACTERISTICS:
 - 1-1 WORKING VOLTAGE: 36V MAX.
 - 1-2 CONTACT RESISTANCE: 30m Ω MAX (INITIAL)
 - MATING FORCE: 3kg Max UNMATING FORCE: 0.3kg Min.
 - LIFE TEST: 10,000 CYCLES MIN.
 - PACKING: TAPE & REEL
 - TO CONFORM TO THE SINGATRON HSF SPECIFICATION.
 - HALOGEN FREE PRODUCT IDENTIFICATION MARK:
 - HALOGEN FREE PRODUCT IDENTIFICATION LABEL ON PACKAGING:
 - FOR LEAD-FREE PROCESS.
 - SOLDER HEAT RESISTANCE REFLOW SOLDERING 260°C 10SECS.
 - PRINTED DATE CODE "YYMMDD" ON TOP OF CONNECTOR.

YYMMDD
 DD: DAY
 MM: MONTH
 YY: YEAR



RECOMMENDED PCB LAYOUT
 TOP VIEW (TOLERANCE: ±0.05)



3.5mm 4POLE PLUG (TOLERANCE: ±0.05)

REV.	ECN NO OR DESCRIPTION	REVISED	DATE
C	ECN:C110238 ADD GAP DIM	Longjiang	2011.08.02
D	ECN:C110222update drawing	Longjiang	2011.09.19
E	ECN:C11095 Modify earth dim	Longjiang	2011.10.18

F	COVER	1	SUS	BLACK COLOR
E	BODY	1	THERMOPLASTIC HIGH TEMP	BLACK COLOR
D	RING SPRING A	1	COPPER ALLOY 0.2t	GILD FLASH
C	TIP SPRING	1	COPPER ALLOY 0.2t	GILD FLASH
B	RING SPRING B	2	COPPER ALLOY 0.2t	GILD FLASH
A	EARTH	1	COPPER ALLOY 0.2t	GILD FLASH
NO	DESCRIPTION	QTY	MATERIAL	PLATING & COLOR

UNLESS OTHERWISE SPECIFIED TOLERANCES:

DECIMALS: ANGLES:

X : ±0.5 X : ±2°
 X.X : ±0.3 X.X : ±1°
 X.XX : ±0.2

Singatron Enterprise Co., Ltd.
 信音企業股份有限公司

TITLE: 3.5mm PHONE JACK

DWN Longjiang/1034 PART NO. 2SJ2271-007111

CHKD Wuan 2011/03 SCALE 6:1 UNIT: mm

APVD Luo 2011/03 SIZE: A3 SHEET: 10F1 REV: E

CUSTOMER COPY