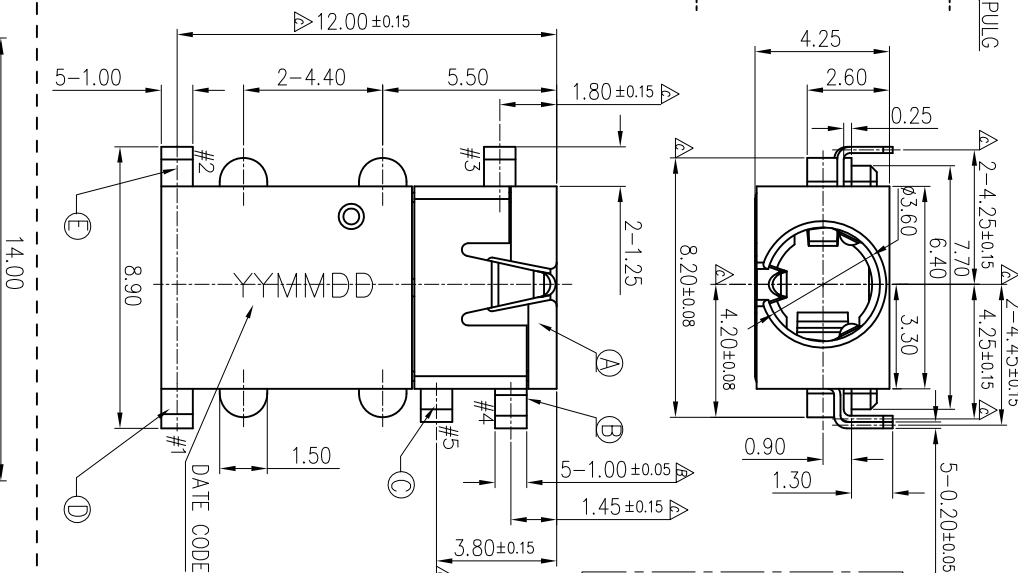
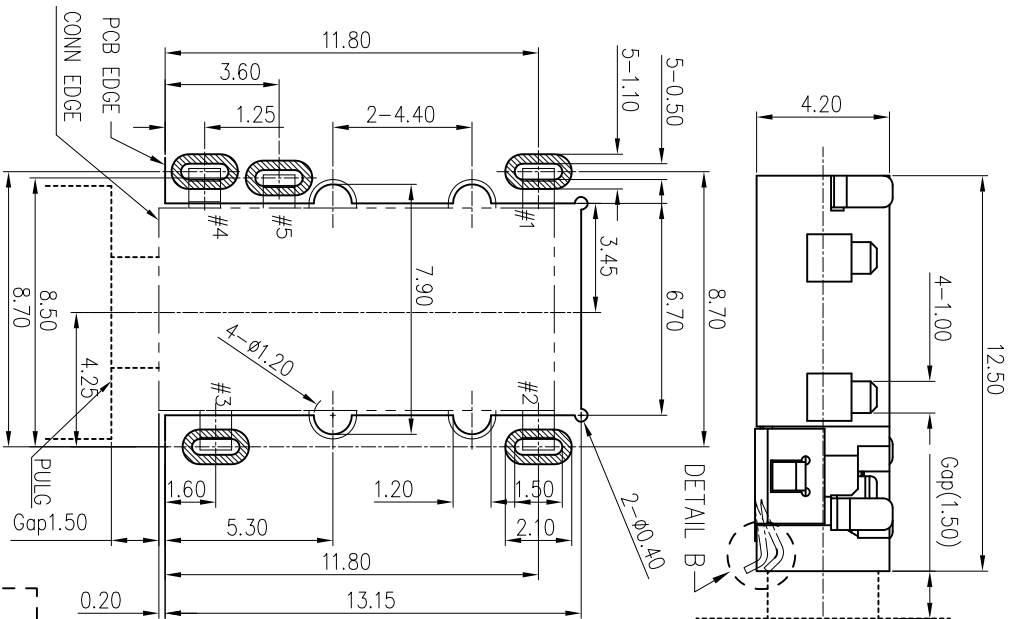
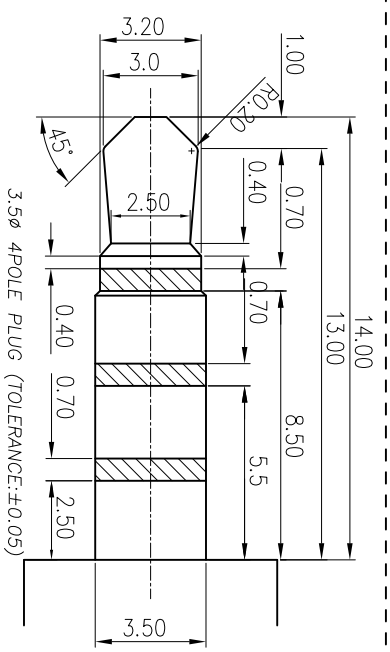
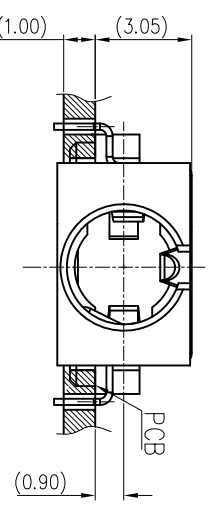


- DETAIL B SCALE 2:1**
- Product application:
The spring working position when Plug-In.
- SPECIFICATIONS:**
- 1. ELECTRICAL CHARACTERISTICS:**
- 1-1. RATING: 12V 1A
 - 1-2. CONTACT RESISTANCE: 30mΩ MAX.(INITIAL)
 - 1-3. DIELECTRIC WITHSTANDING VOLTAGE: 500V AC FOR ONE MINUTE.
 - 1-4. INSULATION RESISTANCE: 100MΩ MIN. MEASURED BY 500 VDC.
- 2. MECHANICAL CHARACTERISTICS:**
- 2-1. INSERTION FORCE : 0.3~3.0 KGf
 - 2-2. WITHDRAWAL FORCE : 0.3~3.0 KGf
3. LIFE TEST: 5,000 CYCLES.
4. OTHER GENERAL SPEC. TO REFER "3.5ΦPHONE JACK SPEC".
5. TO CONFORM TO THE SINGATRON HSF SPEC.
6. HALOGEN FREE PRODUCT IDENTIFICATION MARK ON PRODUCT:
7. HALOGEN FREE PRODUCT IDENTIFICATION LABEL ON PACKAGING:
8. FOR REFLOW SOLDERING LEAD-FREE PROCESS.
9. PACKAGING: TAPE & REEL.



RECOMMENDED PCB LAYOUT
TOP VIEW (TOLERANCE: ±0.05)



REV.	ECN NO OR DESCRIPTION	REVISED	DATE
A	PRODUCT RELEASE	haiou	2012.11.30
B	ECN NO.:C140999 ADD Dimension	REX	2014.05.26
C	ECN NO.:C140259 MODIFY TOLERANC	REX	2014.1208

NO	DESCRIPTION	QTY	MATERIAL	PLATING & COLOR
A	BODY	1	COPPER ALLOY 0.2t	BLACK
B	EARTH	1	COPPER ALLOY 0.2t	OVER NICKEL PLATED
C	RING SPRING B	2	COPPER ALLOY 0.2t	SOLDER TAIL, ALL
D	TIP SPRING	1	COPPER ALLOY 0.2t	GOLD FLASH ON CONTACT AREA &
E	RING SPRING A	1	COPPER ALLOY 0.2t	CONTACT AREA & SOLDER TAIL, ALL

DECIMALS:	ANGLES:	TITLE
X : ±0.5	X : ±2°	3.5Ø PHONE JACK
X.X : ±0.3	X.X : ±1°	PART NO. 2SJ2371-010111F
X.XX : ±0.2		SCALE 6:1 UNIT: mm
		SIZE: A3 SHEET: 10F1

REV.	DATE	BY	CHKD	DATE	BY
1/22	14/12/18				