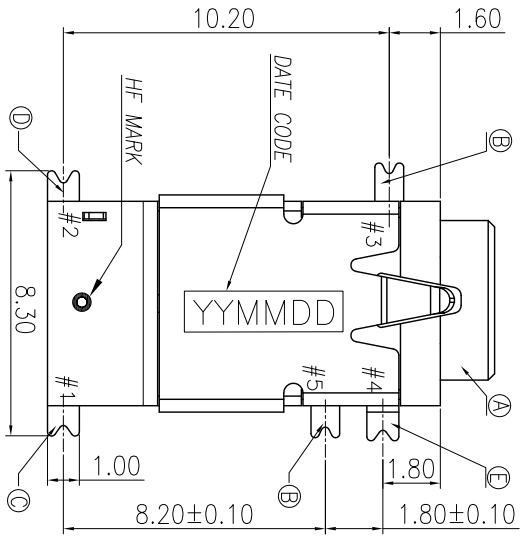
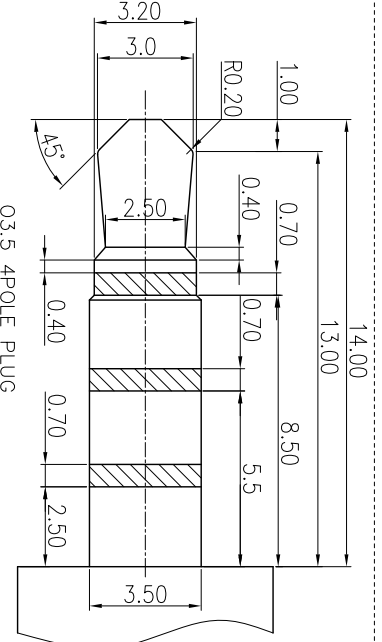
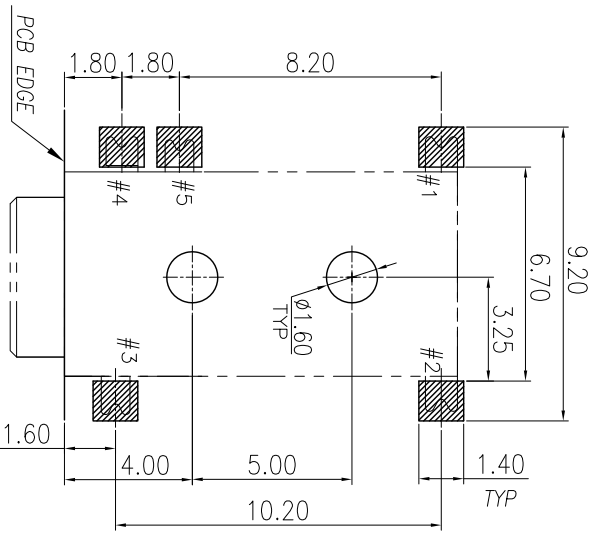


SPECIFICATIONS:

- ELECTRICAL CHARACTERISTICS:
  - 1-1. RATING: 12V 1A
  - 1-2. CONTACT RESISTANCE: 30mΩ MAX(BEFORE)
  - 1-3. DIELECTRIC VOLTAGE WITHSTAND: 500V AC FOR ONE MINUTE
  - 1-4. INSULATION RESISTANCE: 100MΩ MIN. MEASURED BY 500 VDC
- MECHANICAL CHARACTERISTICS:
  - 2-1. INSERTED FORCE : 0.3~3.0 Kgf
  - 2-2. WITHDRAWAL FORCE :0.3~3.0 Kgf
- LIFE TEST: 5,000 CYCLES MIN.
- TO CONFORM TO THE SINGATRON HSF SPECIFICATION.
- HALOGEN FREE PRODUCT IDENTIFICATION MARK:
- HALOGEN FREE PRODUCT IDENTIFICATION LABEL ON PACKAGING:
- FOR REFLOW SOLDERING LEAD-FREE PROCESS.
- PACKAGING: TAPE & REEL.



RECOMMENDED PCB LAYOUT  
TOP VIEW (TOLERANCE:±0.05)



NO	DESCRIPTION	QTY	MATERIAL	PLATING & COLOR
E	EARTH	1	COPPER ALLOY 0.2t	GOLD FLASH
D	RING SPRING A	1	COPPER ALLOY 0.2t	GOLD FLASH
C	TIP SPRING	1	COPPER ALLOY 0.2t	GOLD FLASH
B	RING SPRING B	2	COPPER ALLOY 0.2t	GOLD FLASH
A	BODY	1	HIGH TEMP. THERMOPLASTIC	BLACK

DECIMALS:	ANGLES:
X : ±0.5	X : ±2°
X.X : ±0.3	X.X : ±1°
X.XX : ±0.2	

TITLE	PART NO.
03.5 PHONE JACK	2SJJ2271-012111F

CHKD	DATE	SCALE	UNIT	SHEET	REV.
APVD	2011/04/25	4:1	mm	10F1	A

Singatron Electronic(Chung-Shan) Co., Ltd.  
信音電子(中山)有限公司

CUSTOMER COPY

REV.	ECN NO OR DESCRIPTION	REVISED	DATE
A	PRODUCT RELEASE	ZHUHUIAN	2011.04.25