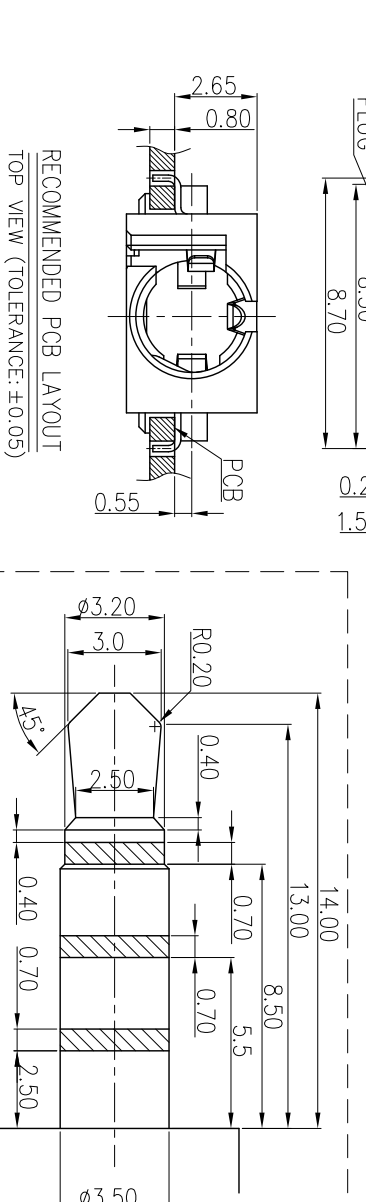
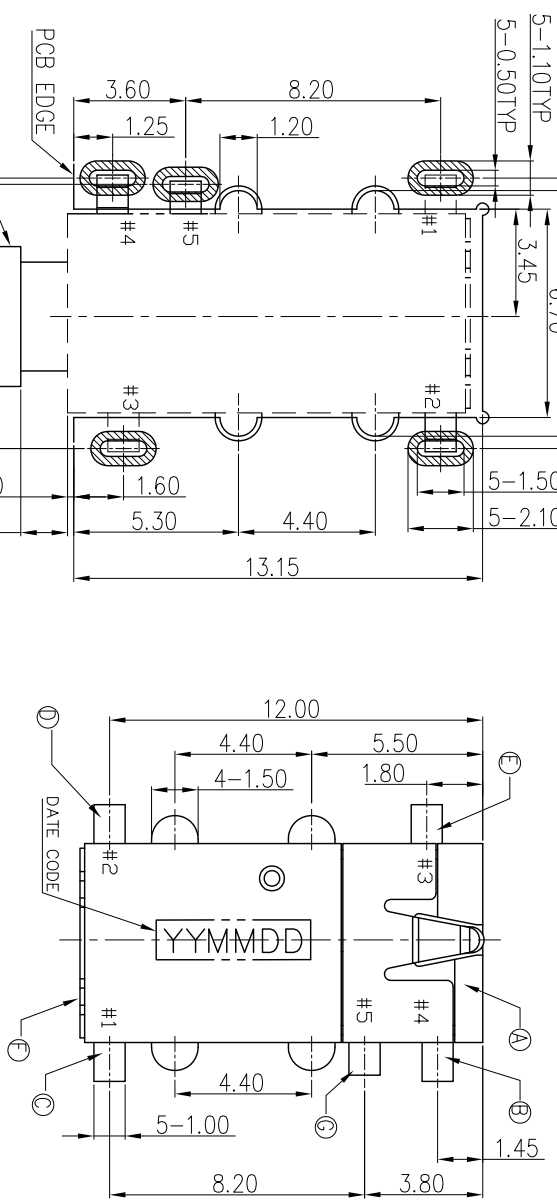
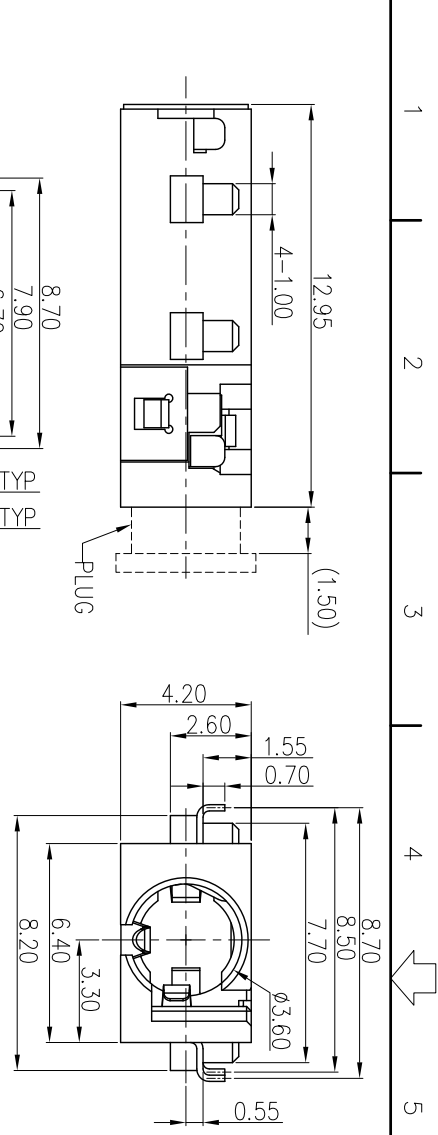
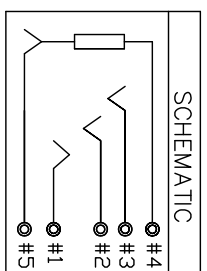


REV	ECN NO OR DESCRIPTION	REVISED	DATE
A	PRODUCE RELEASE	JIANGUO	2011.02.21
B	ECN: C120193 UPDATE DRAWING	DAOWEN	2012.06.15



SPECIFICATIONS:

- 1. ELECTRICAL CHARACTERISTICS:
 - 1-1. RATING: 12V 1A
 - 1-2. CONTACT RESISTANCE: 30mΩ MAX (INITIAL)
 - 1-3. DIELECTRIC WITHSTANDING VOLTAGE: 500V AC FOR ONE MINUTE.
 - 1-4. INSULATION RESISTANCE: 100MΩ MIN. MEASURED BY 500 VDC
- 2. MECHANICAL CHARACTERISTICS:
 - 2-1. INSERTION FORCE : 0.3~3.0 KGF
 - 2-2. WITHDRAWAL FORCE : 0.3~3.0 KGF
 - 3. LIFE TEST: 5,000 CYCLES MIN.
 - 4. OTHER GENERAL SPEC. TO REFER "2SU2271 SERIE SPEC".
 - 5. TO CONFORM TO THE SINGATRON HSF SPEC.
 - 6. HALOGEN FREE PRODUCT IDENTIFICATION MARK ON PRODUCT.
 - 7. HALOGEN FREE PRODUCT IDENTIFICATION LABEL ON PACKAGING.
 - 8. FOR REFLOW SOLDERING LEAD-FREE PROCESS.
 - 9. SOLDER HEAT RESISTANCE REFLOW SOLDERING 260°C 10SECS.
 - 10. PACKAGING: TAPE & REEL.

NO	DESCRIPTION	QTY	MATERIAL	PLATING & COLOR
G	GROUND	1	COPPER ALLOY 0.2T	GOLD FLASH
F	COVER	1	STAINLESS STEEL	GOLD FLASH
E	RING SPRING B	1	COPPER ALLOY 0.2T	GOLD FLASH
D	RING SPRING A	1	COPPER ALLOY 0.2T	GOLD FLASH
C	TIP SPRING	1	COPPER ALLOY 0.2T	Gold Flash on contact area and Solder tail, plated over Nickel Plated
B	EARTH	1	COPPER ALLOY 0.2T	GOLD FLASH
A	BODY	1	HIGH TEMP PLASTIC	BLACK
NO	DESCRIPTION	QTY	MATERIAL	PLATING & COLOR

UNLESS OTHERWISE SPECIFIED TOLERANCES

DECIMALS: ANGLES: . : ±0.5 X : ±2° X.X : ±0.3 X.X.X : ±1° X.XX : ±0.2

Singatron Enterprise Co., Ltd.
信登企業股份有限公司

PART NO: 2SU2271-118111F
SCALE 6:1
UNIT: mm
SHEET: 1 OF 1

DRAWN: 2012/02/22
CHKD: 2012/02/22
APVD: 2012/02/15

CUSTOMER COPY