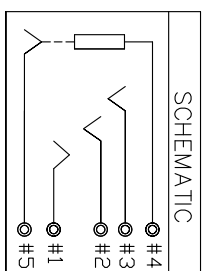
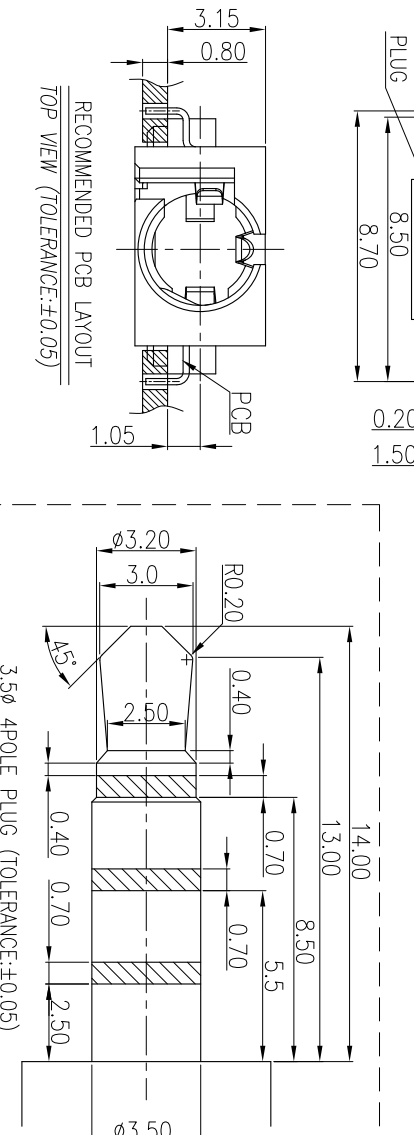
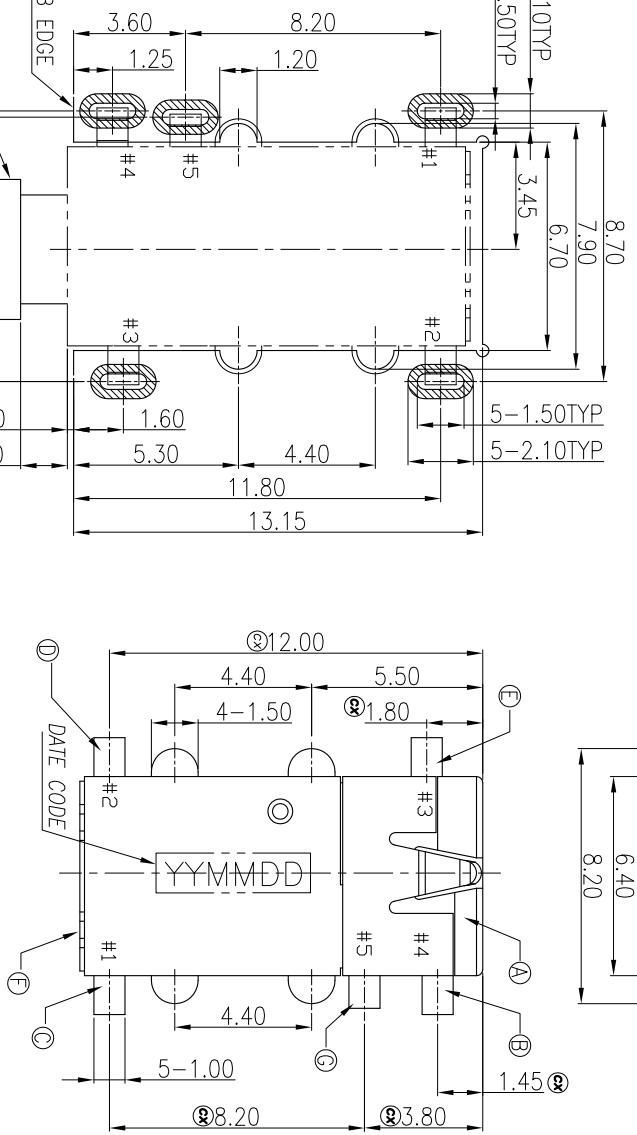
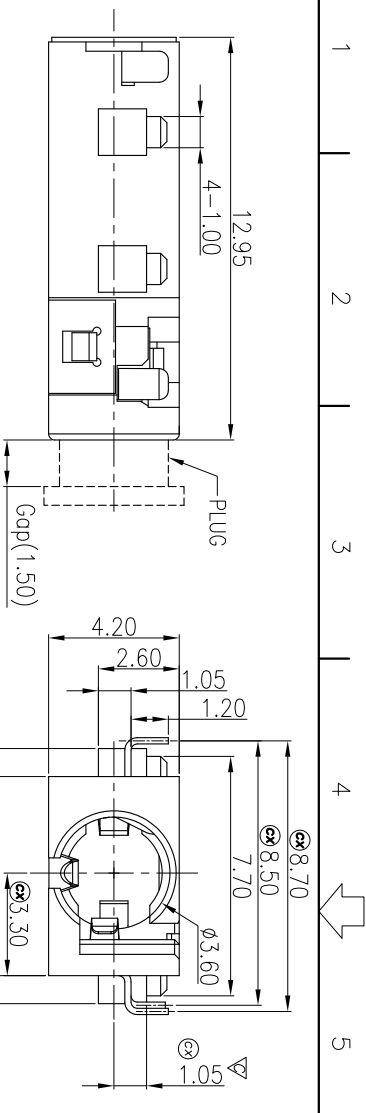


REV.	ECN NO OR DESCRIPTION	REVISED	DATE
A	PRODUCED RELEASED	Ares	2011.04.26



SPECIFICATIONS:

- ELECTRICAL CHARACTERISTICS:**
 - 1-1. RATING: 12V 1A
 - 1-2. CONTACT RESISTANCE: 30mΩ MAX (INITIAL)
 - 1-3. DIELECTRIC WITHSTANDING VOLTAGE: 500V AC FOR ONE MINUTE.
 - 1-4. INSULATION RESISTANCE: 100MΩ MIN. MEASURED BY 500 VDC
- MECHANICAL CHARACTERISTICS:**
 - 2-1. INSERTION FORCE: 0.3~3.0 KGf
 - 2-2. WITHDRAWAL FORCE: 0.3~3.0 KGf
 3. LIFE TEST: 5,000 CYCLES MIN.
 4. OTHER GENERAL SPEC. TO REFER "2SU2271-2081111 SPEC".
 5. TO CONFORM TO THE SINGATRON HSF SPEC.
 6. HALOGEN FREE PRODUCT IDENTIFICATION MARK ON PRODUCT.
 7. HALOGEN FREE PRODUCT IDENTIFICATION LABEL ON PACKAGING.
 8. FOR REFLOW SOLDERING LEAD-FREE PROCESS.
 9. SOLDER HEAT RESISTANCE REFLOW SOLDERING 260°C 10SECS.
 10. PACKAGING: TAPE & REEL.
 11. \odot REPRESENT CRITICAL DIMENSIONS.
 12. \triangle CPK CONTROLLED DIMENSION.



RECOMMENDED PCB LAYOUT
TOP VIEW (TOLERANCE:±0.05)

NO	DESCRIPTION	QTY	MATERIAL	PLATING & COLOR
G	GROUND	1	C5210-EH 0.2T	Gold Flash, Ni 40~80u"
F	COVER	1	SUS 301-1/2H	N/A
E	RING SPRING B	1	C5210-EH 0.2T	Gold Flash, Ni 40~80u"
D	RING SPRING A	1	C5210-EH 0.2T	Gold Flash, Ni 40~80u"
C	TIP SPRING	1	C5210-EH 0.2T	Gold Flash, Ni 40~80u"
B	EARTH	1	C5191-EH 0.2T	Gold Flash, Ni 40~80u"
A	BODY	1	PA 10T+30%GF	BLACK

UNLESS OTHERWISE SPECIFIED TOLERANCES

Singatron Enterprise Co., Ltd.
信登企業股份有限公司

3.50 PHONE JACK

TITLE	PART NO.	UNIT	SCALE	SHEET	REV.
DWN	2SU2271-128111F	mm	6:1	1 OF 1	A
CHKD		mm	6:1		
APVD		mm	6:1		

ENGINEERING COPY