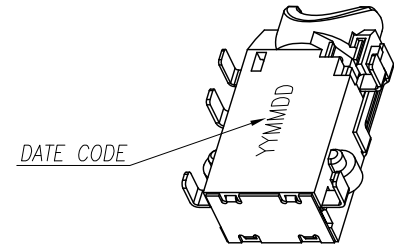
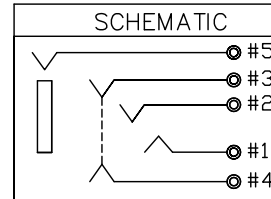
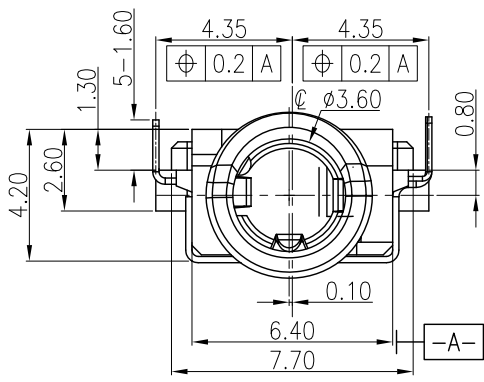
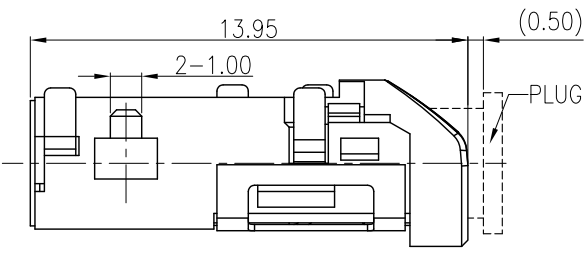
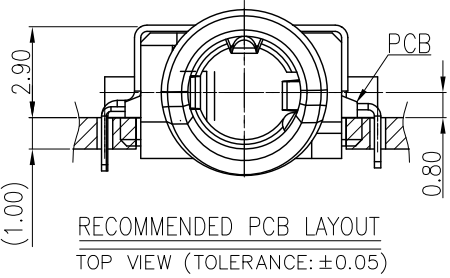
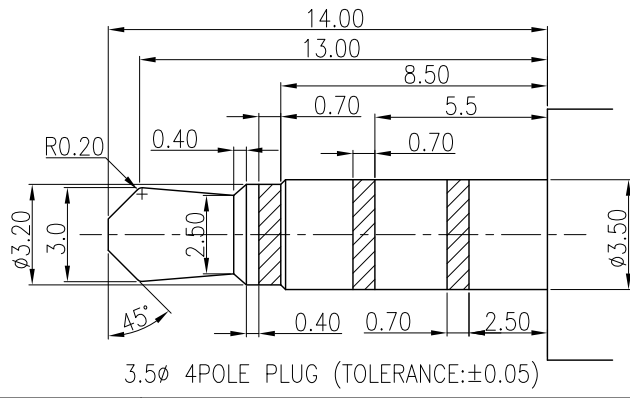
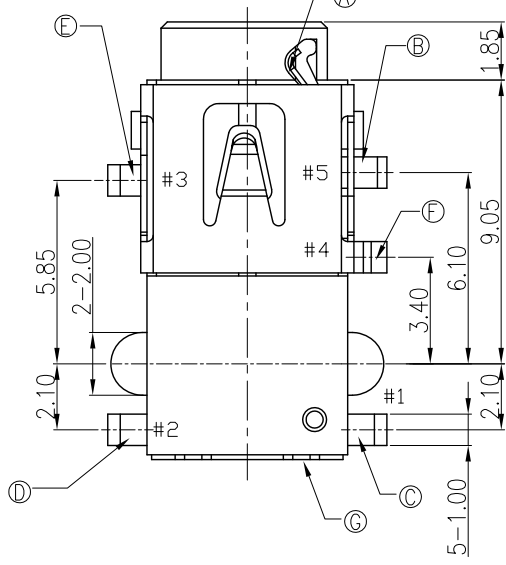
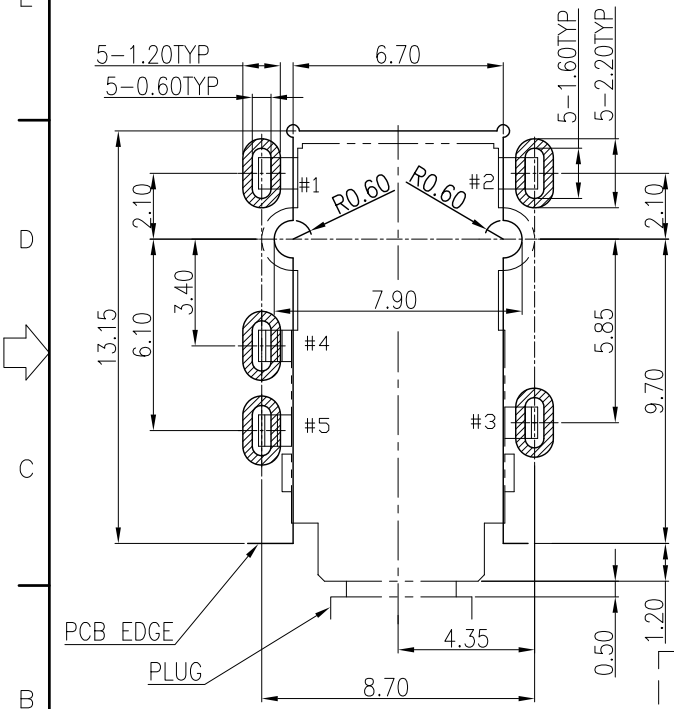


REV.	ECN NO OR DESCRIPTION	REVISED	DATE
A	PRODUCT RELEASE	Sticky	2011.09.28



**SPECIFICATIONS:**

- ELECTRICAL CHARACTERISTICS:
  - 1-1. RATING: 12V 1A
  - 1-2. CONTACT RESISTANCE: 30mΩ MAX.(INITIAL)
  - 1-3. DIELECTRIC WITHSTANDING VOLTAGE: 500V AC FOR ONE MINUTE.
  - 1-4. INSULATION RESISTANCE: 100MΩ MIN. MEASURED BY 500 VDC
- MECHANICAL CHARACTERISTICS:
  - 2-1. INSERTION FORCE : 0.3~3.0 KGF
  - 2-2. WITHDRAWAL FORCE : 0.3~3.0 KGF
- LIFE TEST: 5,000 CYCLES MIN.
- OTHER GENERAL SPEC. TO REFER "2SJ2271-012111F SPEC".
- TO CONFORM TO THE SINGATRON HSF SPEC.
- HALOGEN FREE PRODUCT IDENTIFICATION MARK ON PRODUCT:
- HALOGEN FREE PRODUCT IDENTIFICATION LABEL ON PACKAGING:
- FOR REFLOW SOLDERING LEAD-FREE PROCESS.
- SOLDER HEAT RESISTANCE REFLOW SOLDERING 260°C 10SECS.
- PACKAGING: TAPE & REEL.



NO	DESCRIPTION	QTY	MATERIAL	PLATING & COLOR
G	COVER	1	STAINLESS STEEL	N/A
F	GROUND	1	COPPER ALLOY 0.2T	Gold Flash On Contact Area & Solder tail, All over Nickel Plated
E	RING SPRING B	1	COPPER ALLOY 0.2T	
D	RING SPRING A	1	COPPER ALLOY 0.2T	
C	TIP SPRING	1	COPPER ALLOY 0.2T	
B	EARTH	1	COPPER ALLOY 0.2T	
A	BODY	1	HIGH TEMP PLASTIC	BLACK

UNLESS OTHERWISE SPECIFIED TOLERANCES		Singatron Enterprise Co., Ltd. 信音企業股份有限公司			
DECIMALS:	ANGLES:	TITLE	3.5Ø PHONE JACK		
X :±0.5	X :±2°	DWN	STICKY 2011.10.10	PART NO. 2SJ2271-129111F	
X.X :±0.3	X.X :±1°	CHKD	WINAKN 2011.10.10	SCALE 6:1	UNIT: mm
X.XX :±0.2		APVD	LMO 2011.10.10	SIZE: A3	SHEET: 1 OF 1
CUSTOMER COPY					