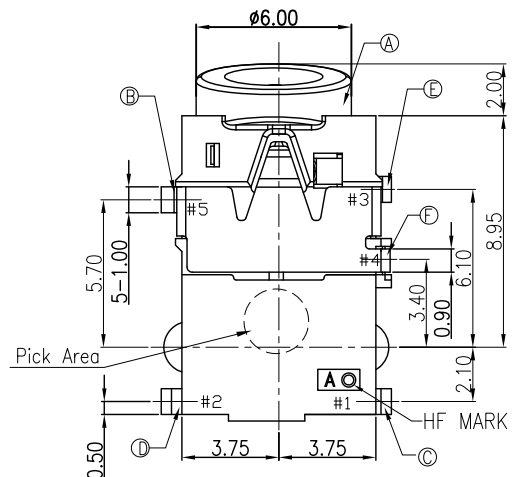
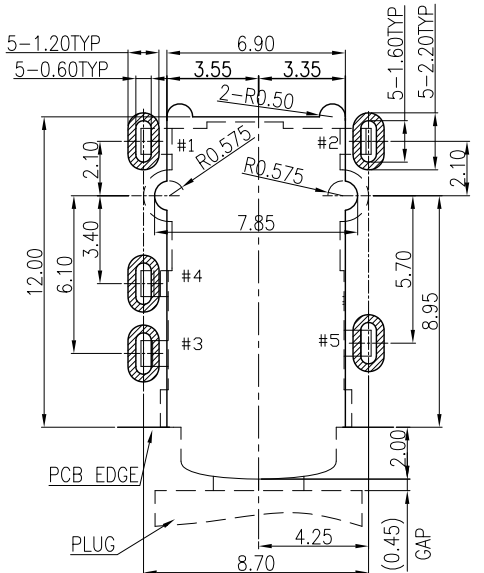
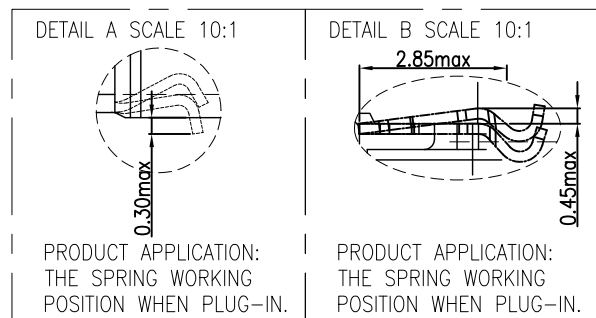
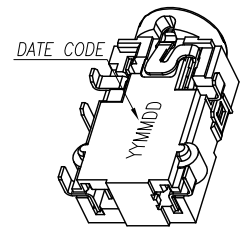
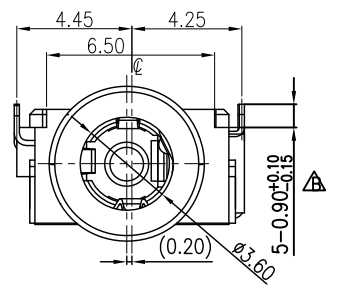
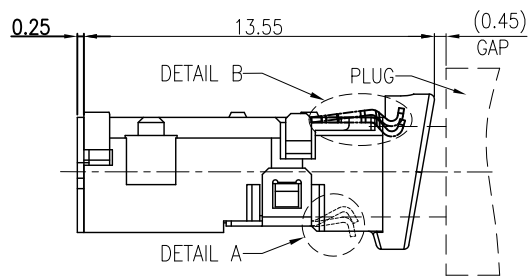
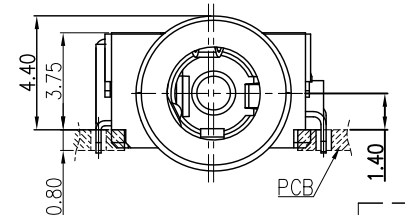


REV.	ECN NO OR DESCRIPTION	REVISED	DATE
A	PRODUCT RELEASE	WEIQG	2012.09.17
B	ECN NO:C130097-1 UPDATE DRAWING	ZJK	2013.05.17

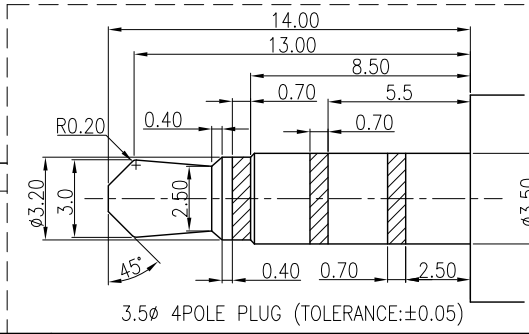
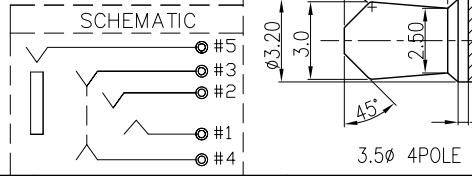


SPECIFICATIONS:

- ELECTRICAL CHARACTERISTICS:
 - RATING: 12V/1A
 - CONTACT RESISTANCE: 30mΩ MAX.(INITIAL)
 - DIELECTRIC WITHSTANDING VOLTAGE: 500V AC FOR ONE MINUTE.
 - INSULATION RESISTANCE: 100MΩ MIN. MEASURED BY 500 VDC
- MECHANICAL CHARACTERISTICS:
 - INSERTION FORCE : 0.3~3.0 KGF
 - WITHDRAWAL FORCE : 0.3~3.0 KGF
- LIFE TEST: 5,000 CYCLES MIN.
- OTHER GENERAL SPEC. TO REFER "3.5φ PHONE JACK SPEC".
- TO CONFORM TO THE SINGATRON HSF SPEC.
- HALOGEN FREE PRODUCT IDENTIFICATION MARK ON PRODUCT: Ⓢ
- HALOGEN FREE PRODUCT IDENTIFICATION LABEL ON PACKAGING: Ⓢ
- FOR REFLOW SOLDERING LEAD-FREE PROCESS.
- PACKAGING: TAPE & REEL.



RECOMMENDED PCB LAYOUT
TOP VIEW (TOLERANCE: ±0.05)



NO	DESCRIPTION	QTY	MATERIAL	PLATING & COLOR
F	GROUND	1	COPPER ALLOY 0.2T	GOLD FLASH ON CONTACT AREA & SOLDER TAIL, ALL OVER NICKEL PLATED
E	RING SPRING B	1	COPPER ALLOY 0.2T	
D	RING SPRING A	1	COPPER ALLOY 0.2T	
C	TIP SPRING	1	COPPER ALLOY 0.2T	
B	EARTH	1	COPPER ALLOY 0.2T	
A	BODY	1	HIGH TEMP PLASTIC	BLACK

UNLESS OTHERWISE SPECIFIED TOLERANCES

Singatron Enterprise Co., Ltd.
信音企業股份有限公司

DECIMALS:	ANGLES:	TITLE	3.5φ PHONE JACK	
X : ±0.5	X : ±2°	DWN	ZJK 13/5/22	PART NO. 2SJ2271-132111F
X.X : ±0.3	X.X : ±1°	CHKD	ZJZ 13/5/22	SCALE 5:1 UNIT: mm
X.XX : ±0.2		APVD	Liao 13/5/22	SIZE: A3 SHEET: 1 OF 1 REV: B
CUSTOMER COPY				