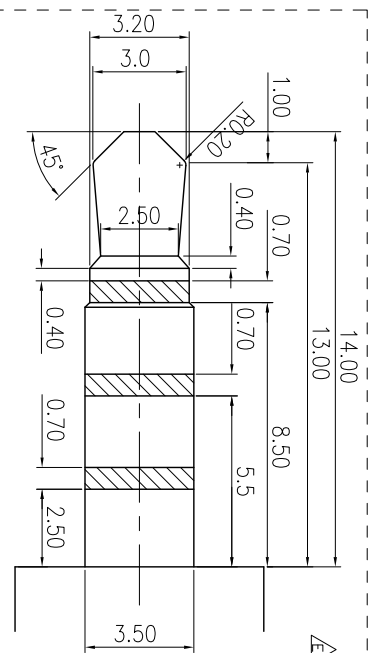
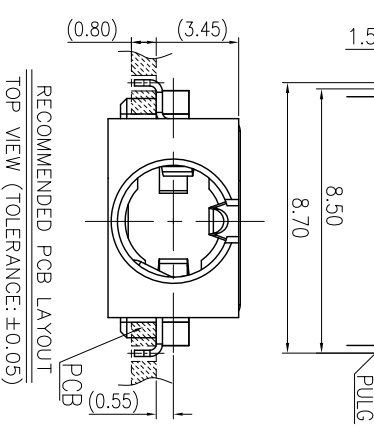
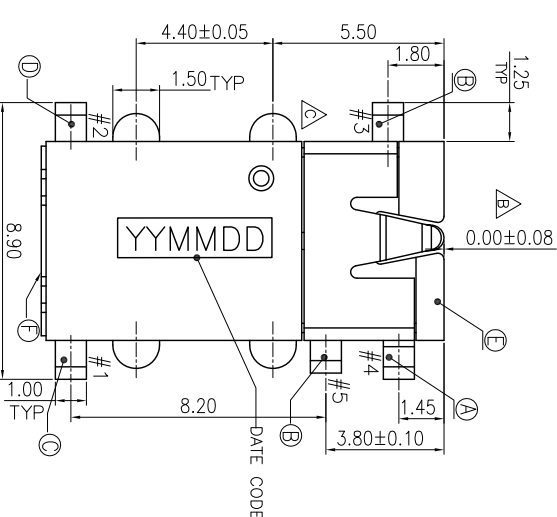
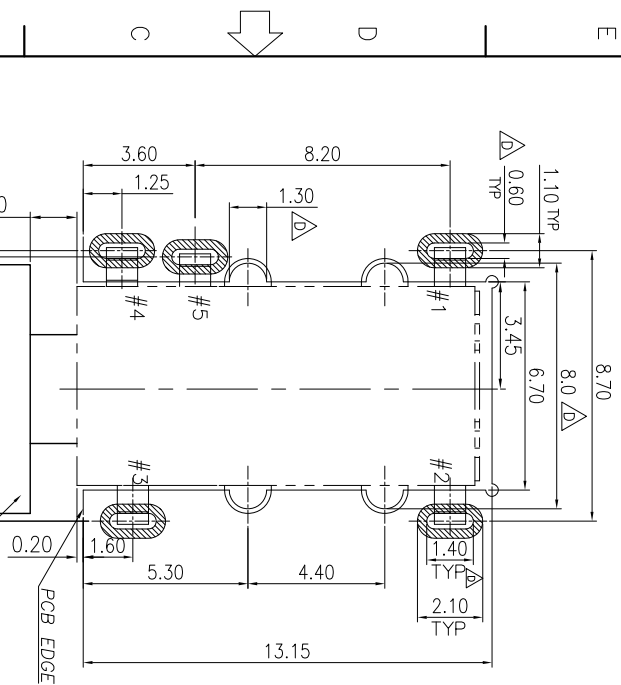
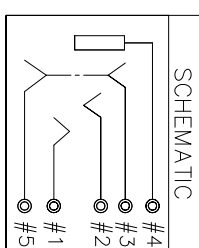
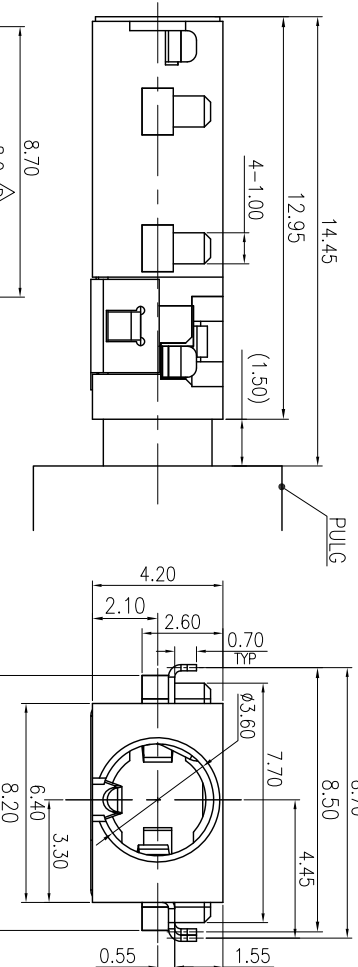


REV.	ECN NO.	OR DESCRIPTION	REVISED	DATE
C	ECN:C110238	Update Drawing	Longjiang	2011.08.16
D	ECN:C120385	Modification layout Size	ZLS	2012.12.29
E	ECN NO.:C150003	Add Flammability	REX	2015.01.12



- SPECIFICATIONS:**
- ELECTRICAL CHARACTERISTICS:
1-1. RATING: 12V/1A
1-2. CONTACT RESISTANCE: 30mΩ MAX(INITIAL).
 - INSERTION FORCE 0.3~3kgf. WITHDRAWAL FORCE 0.3~3kgf.
 - LIFE TEST: 10,000 CYCLES MIN.
 - PACKAGING: TAPE & REEL
 - TO CONFORM TO THE SINGATRON HSF SPECIFICATION.
 - HALOGEN FREE PRODUCT IDENTIFICATION MARK ON PRODUCT.
 - HALOGEN FREE PRODUCT IDENTIFICATION LABEL ON PACKAGING.
 - FOR REFLOW SOLDERING LEAD-FREE PROCESS.
 - DATE CODE: Y Y M M D D



NO	DESCRIPTION	QTY	MATERIAL	PLATING & COLOR
F	COVER	1	SUS	BLACK COLOR
E	BODY	1	TERMOPLASTIC HIGH TEMP UL94V-0	GOLD FLASH
D	RING SPRING A	1	COPPER ALLOY 0.2t	GOLD FLASH
C	TIP SPRING	1	COPPER ALLOY 0.2t	GOLD FLASH
B	RING SPRING B	2	COPPER ALLOY 0.2t	GOLD FLASH
A	EARTH	1	COPPER ALLOY 0.2t	GOLD FLASH

UNLESS OTHERWISE SPECIFIED TOLERANCES

DECIMALS: ANGLES:

X : ±0.5 X : ±2°
 X X : ±0.3 X X : ±1°
 X.XX : ±0.2

信音企業股份有限公司
 Singatron Enterprise Co., Ltd.

3.50 PHONE JACK

TITLE: 3.50 PHONE JACK

DWN: 15/7/16 PART NO. 25J2271-208111
 CHKD: 2010-10-16 SCALE 6:1 UNIT: mm
 APVD: 15/7/16 SIZE: A3 SHEET: 10F1 REV: E

CUSTOMER COPY