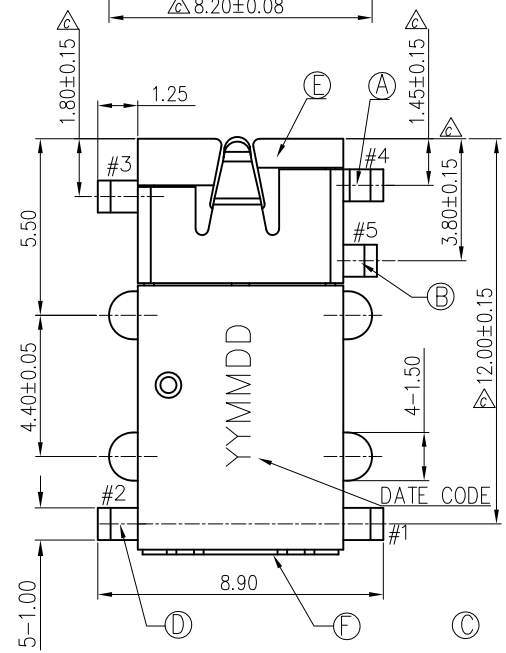
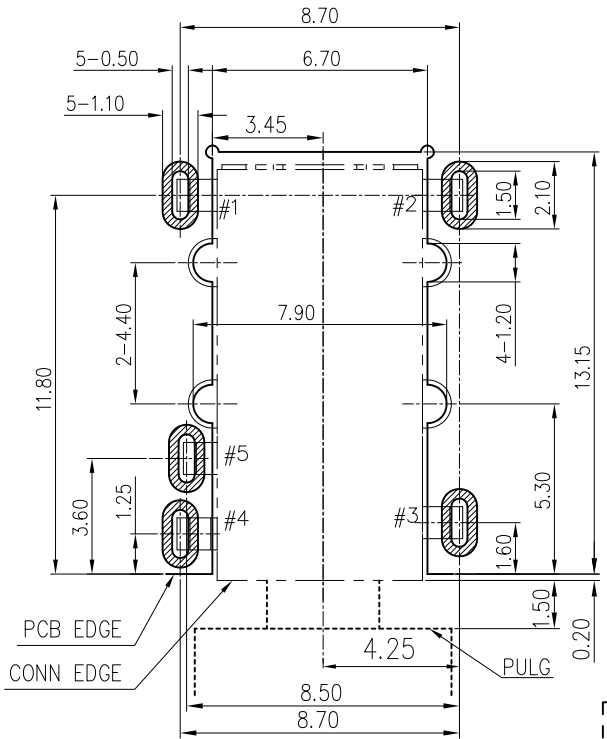


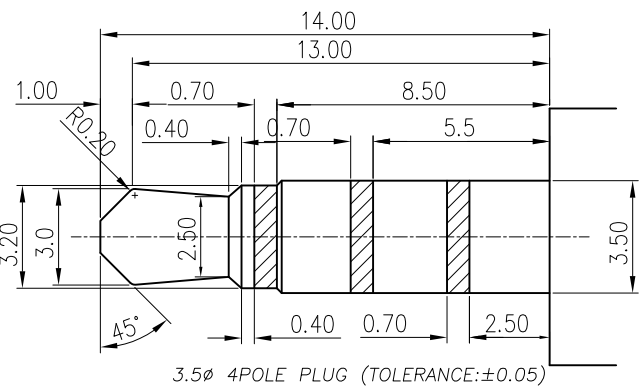
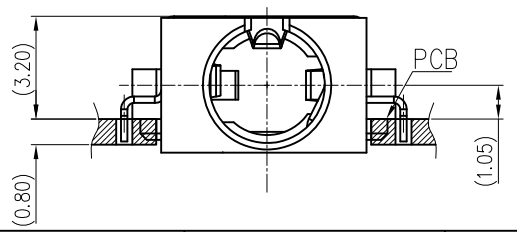
REV.	ECN NO OR DESCRIPTION	REVISED	DATE
A	PRODUCT RELEASE	Sticky-hu	2010.06.25
B	ECN No.:C110184	Sticky-hu	2011.06.10
C	ECR NO.:C140259 MODIFY TOLERANC	REX	2014.12.08

SPECIFICATIONS:

- ELECTRICAL CHARACTERISTICS:
 - RATING: 12V 1A
 - CONTACT RESISTANCE: 30mΩ MAX.(INITIAL)
 - DIELECTRIC WITHSTANDING VOLTAGE: 500V AC FOR ONE MINUTE.
 - INSULATION RESISTANCE: 100MΩ MIN. MEASURED BY 500 VDC
- MECHANICAL CHARACTERISTICS:
 - INSERTION FORCE : 0.3~3.0 KGF
 - WITHDRAWAL FORCE : 0.3~3.0 KGF
- LIFE TEST: 5,000 CYCLES MIN.
- OTHER GENERAL SPEC. TO REFER "2SJ2271-208111 SPEC".
- TO CONFORM TO THE SINGATRON HSF SPEC.
- HALOGEN FREE PRODUCT IDENTIFICATION MARK ON PRODUCT:
- HALOGEN FREE PRODUCT IDENTIFICATION LABEL ON PACKAGING:
- FOR REFLOW SOLDERING LEAD-FREE PROCESS.
- SOLDER HEAT RESISTANCE REFLOW SOLDERING 260°C 10SECS.
- DATE CODE:YY MM DD
 - Day
 - Month
 - Year



RECOMMENDED PCB LAYOUT
TOP VIEW (TOLERANCE: ±0.05)



3.5φ 4POLE PLUG (TOLERANCE: ±0.05)

F	COVER	1	SUS	NA
E	BODY	1	THERMOPLASTIC HIGH TEMP	BLACK COLOR
D	RING SPRING A	1	COPPER ALLOY 0.2t	GOLD FLASH
C	TIP SPRING	1	COPPER ALLOY 0.2t	GOLD FLASH
B	RING SPRING B	2	COPPER ALLOY 0.2t	GOLD FLASH
A	EARTH	1	COPPER ALLOY 0.2t	GOLD FLASH
NO	DESCRIPTION	QTY	MATERIAL	PLATING & COLOR

UNLESS OTHERWISE SPECIFIED TOLERANCES

Singatron Enterprise Co., Ltd.
信音企業股份有限公司

DECIMALS: ANGLES:
X : ±0.5 X : ±2°
X.X : ±0.3 X.X : ±1°
X.XX : ±0.2

TITLE	3.5φ PHONE JACK		
DWN	REX 2014.12.18	PART NO. 2SJ2271-308111	
CHKD	WZJ 2014.12.18	SCALE 6:1	UNIT: mm
APVD	ZJZ 2014.12.18	SIZE: A3	SHEET: 10F1 REV: C

CUSTOMER COPY