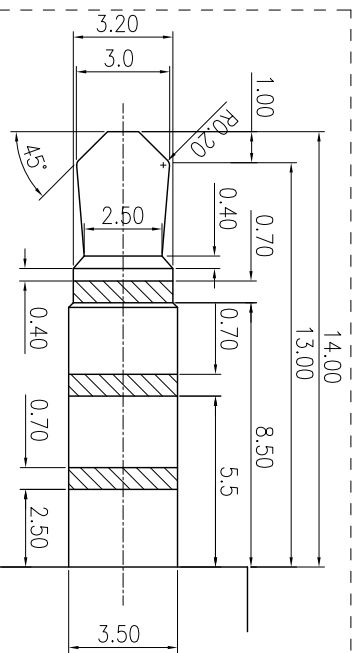
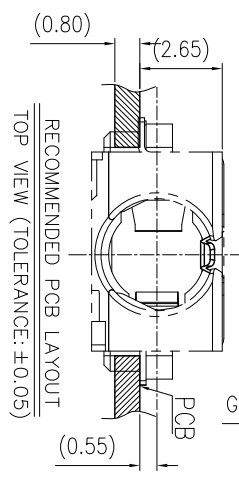
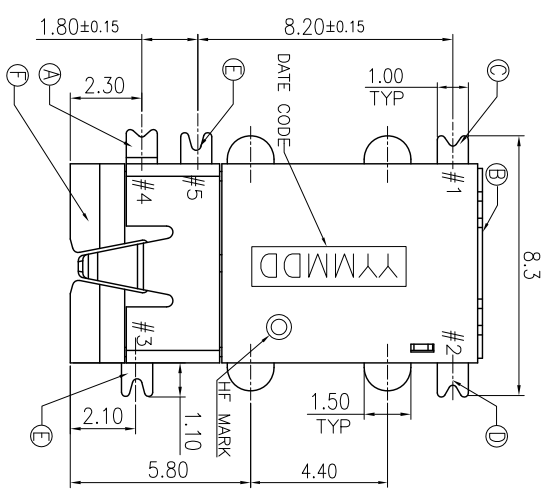
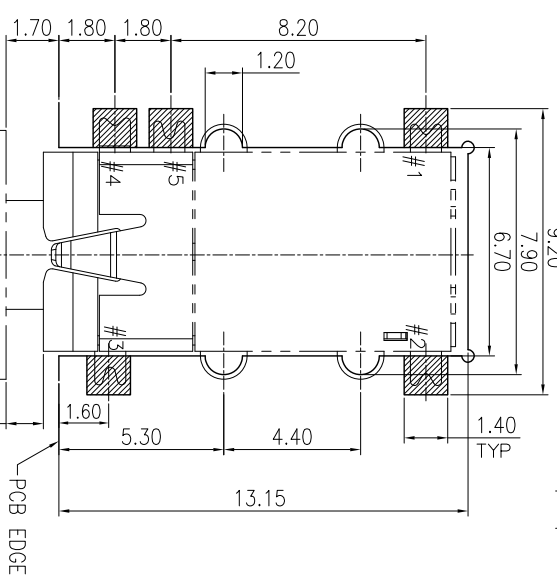
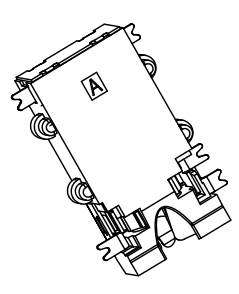
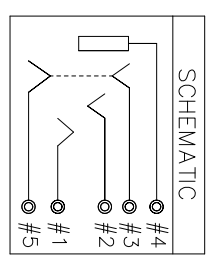
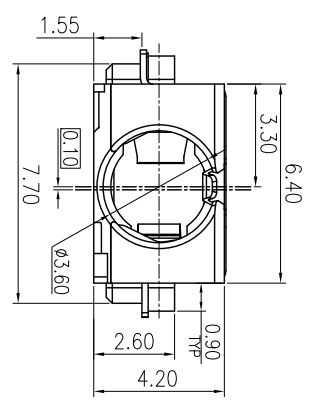
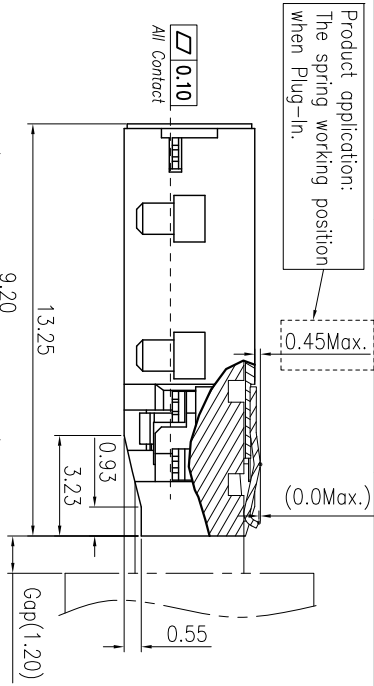


Product application:
The spring working position
when Plug-in.



- SPECIFICATIONS:**
- Electrical Characteristics:**
- 1-1. Rating: 12V/1A
 - 1-2. Contact resistance: 30mΩ Max.(Initial)
 - 1-3. Dielectric withstanding voltage: 500V AC for one minute
 - 1-4. Insulation resistance: 100MΩ Min. measured by 500V DC
- Mechanical characteristics:**
- 2-1. Insertion force: 0.3~3.0 Kgf
 - 2-2. Withdrawal force: 0.3~3.0 Kgf
 - 3. Life test: 5,000 Cycles
 - 4. Other general spec to refer "2SJ2271 series spec"
 - 5. To conform to singatron hazardous substance free spec
 - 6. Halogen free product identification Mark: (C)
 - 7. Halogen free product identification label on packaging: (C)
 - 8. For reflow soldering lead-free process
 - 9. Packaging: Tape&Reel

REV. A	ECN NO. OR DESCRIPTION	REVISED	DATE
	PRODUCT RELEASE	Zhishun-Wei	2014.01.22

F	BODY	1	THERMOPLASTIC HIGH TEMP	BLACK
E	RING SPRING B	2	COPPER ALLOY 0.2t	GOLD FLASH
D	RING SPRING A	1	COPPER ALLOY 0.2t	GOLD FLASH
C	TIP SPRING	1	COPPER ALLOY 0.2t	Gold flash on contact area And solder tail, all over Nickel plated
B	COVER	1	SUS	
A	EARTH	1	COPPER ALLOY 0.2t	GOLD FLASH
NO	DESCRIPTION	QTY	MATERIAL	PLATING & COLOR

UNLESS OTHERWISE SPECIFIED TOLERANCES

Singatron Enterprise Co., Ltd.
信音企業股份有限公司

3.50 PHONE JACK

TITLE	3.50 PHONE JACK		
DWN	WB	14/1/23	PART NO. 2SJ2271-508112P
CHKD	WB	14/1/23	SCALE 6:1 UNIT: mm
APVD	Lib	14/1/23	SIZE: A3 SHEET: 10F1 REV: A

CUSTOMER COPY

1 2 3 4 5 6 7 8

A B C D E F

X# 信音 RD-06-045-A