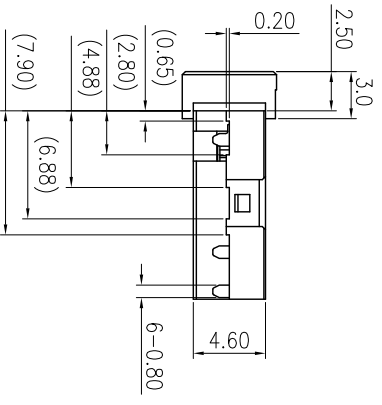
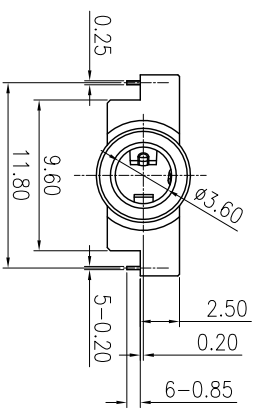
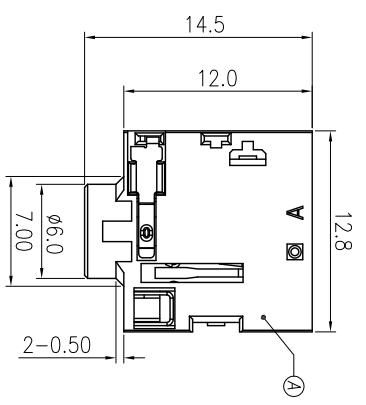
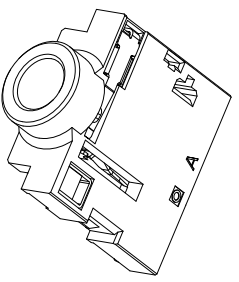
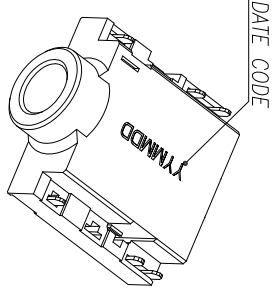
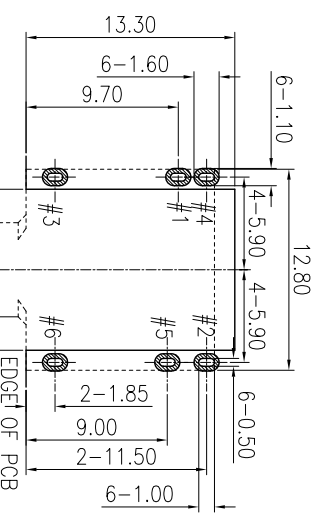
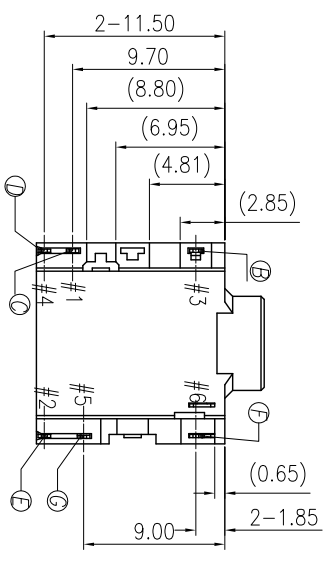


REV.	ECN NO OR DESCRIPTION	REVISED	DATE
A	PDR NO: T100903-11A	BILLY	2010.11.24
B	ECN NO: C110149-17A&8Qty Pating specification	BILLY	2011.06.23

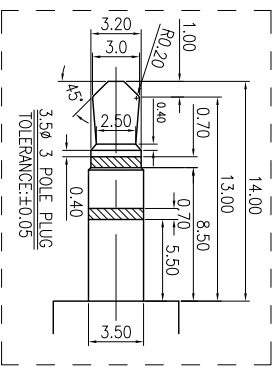
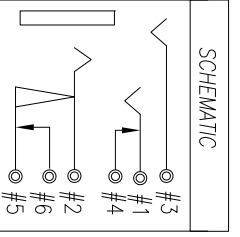


SPECIFICATIONS:

- 1. ELECTRICAL CHARACTERISTICS:**
- 1-1. RATING: 36V AC, 1A DC.
 - 1-2. CONTACT RESISTANCE: 50m Ω MAX.
 - 1-3. DIELECTRIC WITHSTANDING VOLTAGE: 500V AC FOR ONE MINUTE.
 - 1-4. INSULATION RESISTANCE: 100M Ω MIN. MEASURED BY 500 VDC.
- 2. MECHANICAL CHARACTERISTICS:**
- 2-1. INSERTION FORCE : 0.4~3.0 KGF
 - 2-2. WITHDRAWAL FORCE : 0.3~3.0 KGF
- 3. LIFE TEST: 5,000 CYCLES MIN.**
- 4. OTHER GENERAL SPEC: TO REFER "2SJ2285 SERIES SPEC".**
- 5. TO CONFORM TO THE SINGATRON HAZARDOUS SUBSTANCE FREE SPEC.**
- 6. HALOGEN PRODUCT IDENTIFICATION MARK ON JACK: ©**
- 7. HALOGEN PRODUCT IDENTIFICATION LABEL ON PACKAGING: ©**
- 8. FOR REFLOW SOLDERING LEAD-FREE PROCESS.**
- 9. PACKAGING: TAPE&REEL.**



RECOMMENDED P.C.B. LAYOUT
TOP VIEW (TOLERANCE: ±0.05)



NO	DESCRIPTION	QTY	MATERIAL	PLATING & COLOR
A	BODY	1	HIGH TEMP THERM OPLASTIC 94V-0	BLACK COLOR
G	TRANSFER TERMINAL	1	COPPER ALLOY 0.20T	△ Gold Flash on contact area and Solder fill/dil over Nickel Plated
F	BRAKE TERMINAL	1	COPPER ALLOY 0.20T	GOLD FLASH
E	RING	1	COPPER ALLOY 0.20T	△ Gold Flash on contact area and Solder fill/dil over Nickel Plated
D	SHUNT	1	COPPER ALLOY 0.20T	GOLD FLASH
C	TIP	1	COPPER ALLOY 0.25T	△ Gold Flash on contact area and Solder fill/dil over Nickel Plated
B	EARTH	1	COPPER ALLOY 0.20T	GOLD FLASH

TITLE	3.5Φ PHONE JACK
DWN	BILLY 2011.6.25
CHKD	ZHZ 2011.6.25
APVD	LMO 2011.6.25

CUSTOMER COPY

Singatron Enterprise Co., Ltd.
信音企業股份有限公司

