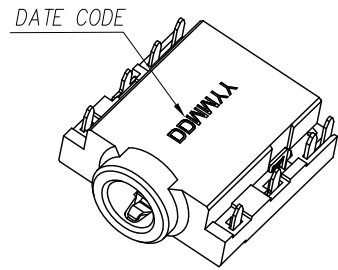
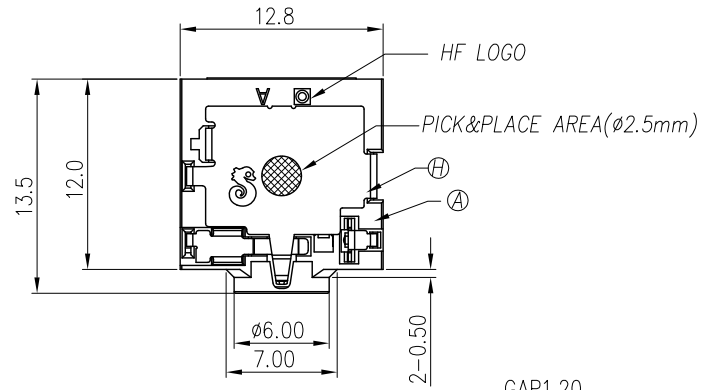
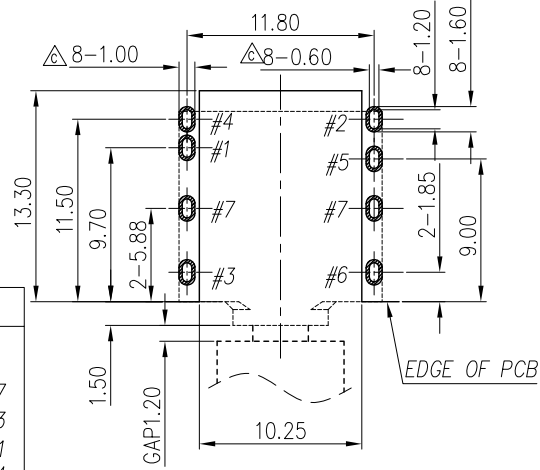
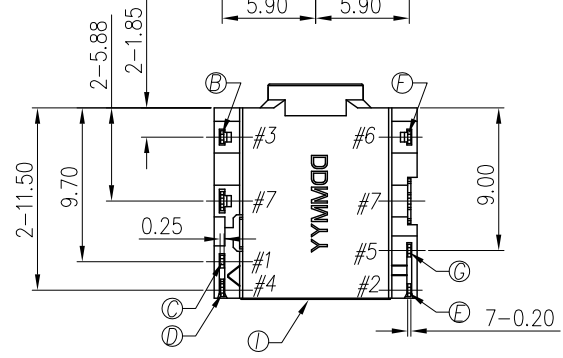
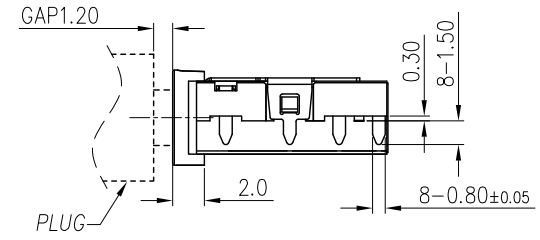
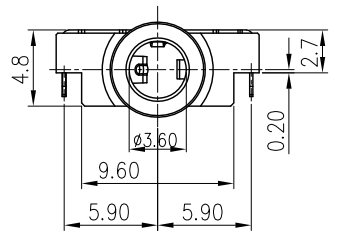


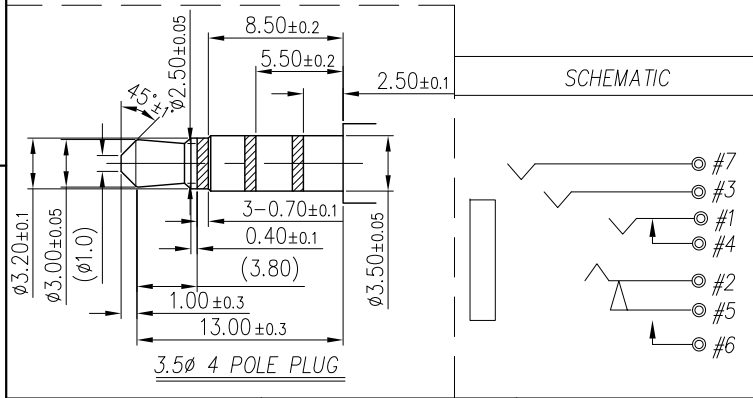
REV.	ECN NO OR DESCRIPTION	REVISED	DATE
A	PRODUCT RELEASE	ZLS	2013.07.03
B	ECN NO.:C130235ADD STAND OFF	ZLS	2013.12.27
C	ECN NO.:C140074 MODIFY LAYOUT	ZLS	2014.8.1



- SPECIFICATIONS:**
- ELECTRICAL CHARACTERISTICS:
 - RATING: 12V, 1A
 - CONTACT RESISTANCE: 50mΩ MAX.
 - DIELECTRIC WITHSTANDING VOLTAGE: 500V AC FOR ONE MINUTE.
 - INSULATION RESISTANCE: 100MΩ MIN. MEASURED BY 500 VDC
 - MECHANICAL CHARACTERISTICS:
 - INSERTION FORCE: 0.4~3.0 KGF
 - WITHDRAWAL FORCE: 0.3~2.0 KGF
 - LIFE TEST: 5,000 CYCLES.
 - OTHER GENERAL SPEC. TO REFER "2SJ2285 SPEC".
 - TO CONFORM TO THE SINGATRON HAZARDOUS SUBSTANCE FREE SPEC.
 - HALOGEN FREE PRODUCT IDENTIFICATION MARK ON JACK:
 - HALOGEN FREE PRODUCT IDENTIFICATION LABEL ON PACKAGING:
 - FOR REFLOW SOLDERING LEAD-FREE PROCESS.
 - PACKAGING: TAPE&REEL.



RECOMMENDED P.C.B. LAYOUT T=1.20
TOP VIEW (TOLRANCE: ±0.05)



I	MYLAR	1	MYLAR 0.075T	
H	SHIELD	1	COPPER ALLOY 0.20T	NI PLATING
G	TRANSFER TERMINAL	1	COPPER ALLOY 0.20T	Gold Flash on contact area and Solder tail all over Nickel Plating
F	MAKE TERMINAL	1	COPPER ALLOY 0.20T	GOLD FLASH
E	RING	1	COPPER ALLOY 0.20T	Gold Flash on contact area and Solder tail all over Nickel Plating
D	SHUNT	1	COPPER ALLOY 0.20T	GOLD FLASH
C	TIP	1	COPPER ALLOY 0.25T	Gold Flash on contact area and Solder tail all over Nickel Plating
B	EARTH	1	COPPER ALLOY 0.20T	GOLD FLASH
A	BODY	1	HIGH TEMP.THERMOPLASTIC UL 94V-0	BLACK COLOR
NO	DESCRIPTION	QTY	MATERIAL	PLATING & COLOR
UNLESS OTHERWISE SPECIFIED TOLERANCES		Singatron Enterprise Co., Ltd. 		
DECIMALS: ANGLES:		TITLE: 3.5ø PHONE JACK		
X	±0.5	X	±2°	DWN ZLS 14/8/19 PART NO. 2SJ2285-008191F
X.X	±0.3	X.X	±1°	CHKD BILLY 14/8/19 SCALE 3:1 UNIT: mm
X.XX	±0.2			APVD ZJZ 14/8/19 SIZE: A3 SHEET:1 OF 1 REV: C
CUSTOMER COPY				