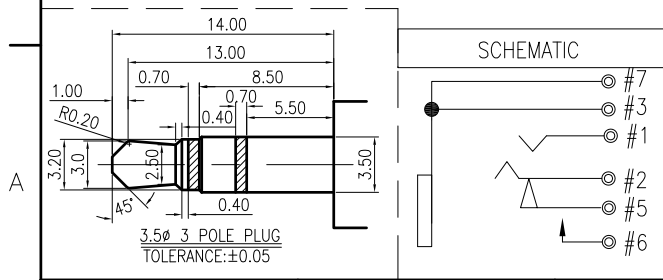
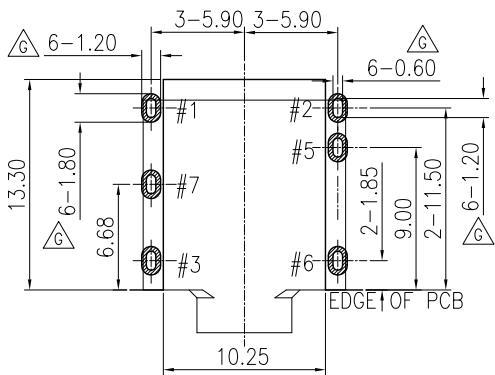
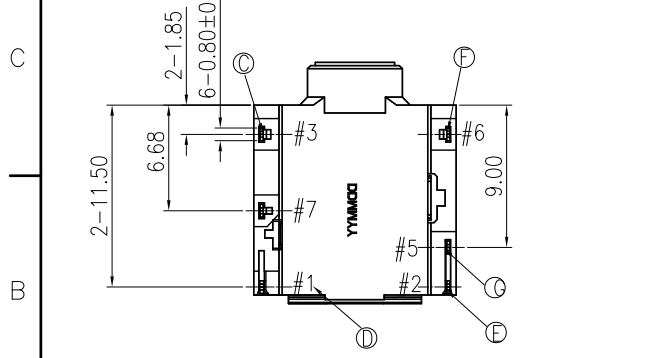
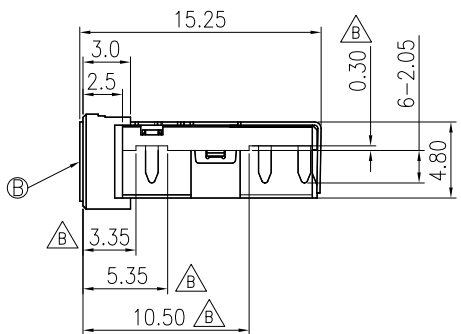
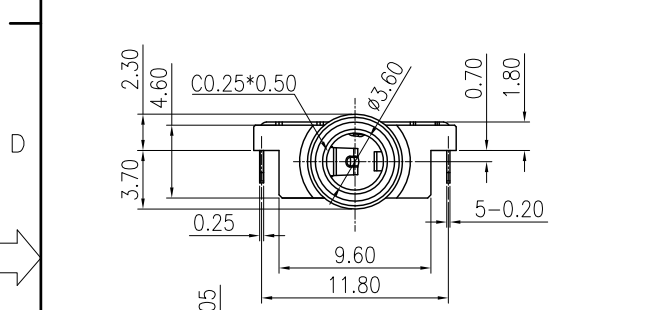
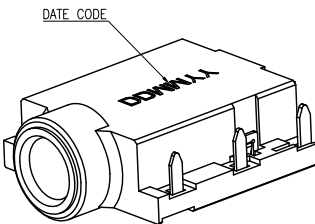
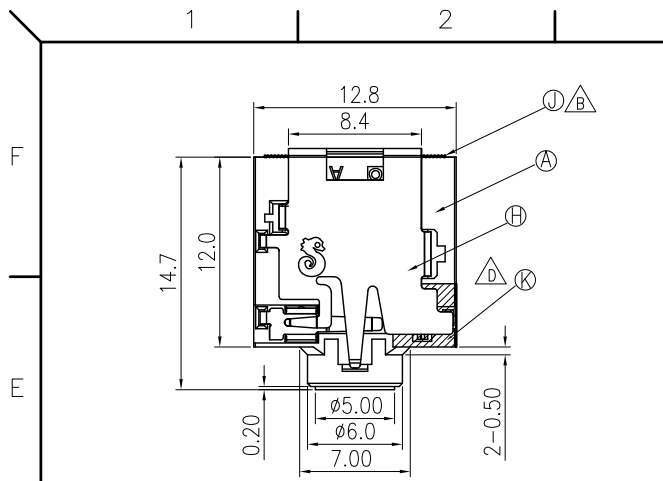


REV.	ECN NO OR DESCRIPTION	REVISED	DATE
E	ECN NO:C110149-17Modify Plating specification	BILLY	2011.06.23
F	ECN:C110106 -1Modify Shield Shape	BILLY	2011.08.23
G	ECN:C140074 Modify Layout	ZLS	2014.7.28



RECOMMENDED P.C.B. LAYOUT T=1.20  
TOP VIEW (TOLERANCE: ±0.05)

- SPECIFICATIONS:
- ELECTRICAL CHARACTERISTICS:
    - RATING: 36V AC, 1A DC.
    - CONTACT RESISTANCE: 50mΩ MAX.
    - DIELECTRIC WITHSTANDING VOLTAGE: 500V AC FOR ONE MINUTE.
    - INSULATION RESISTANCE: 100MΩ MIN. MEASURED BY 500 VDC
  - MECHANICAL CHARACTERISTICS:
    - INSERTION FORCE : 0.4~3.0 KGF
    - WITHDRAWAL FORCE : 0.3~2.0 KGF
  - LIFE TEST: 5,000 CYCLES MIN.
  - OTHER GENERAL SPEC. TO REFER "2SJ2285 SERIES SPEC".
  - TO CONFORM TO THE SINGATRON HAZARDOUS SUBSTANCE FREE SPEC.
  - HALOGEN FREE PRODUCT IDENTIFICATION MARK ON JACK: Ⓞ
  - HALOGEN FREE PRODUCT IDENTIFICATION LABEL ON PACKAGING: Ⓞ
  - FOR HAND SOLDERING LEAD-FREE PROCESS.
  - PACKAGING: TAPE&REEL.



"TABLE"

P/N	BODY顏色
2SJ2285-012691	PINK(701C)
2SJ2285-012692	LIME(577C)

NO	DESCRIPTION	QTY	MATERIAL	PLATING & COLOR
J	MYLAR	1	MYLAR 0.075T	
I	MYLAR	1	MYLAR 0.075T	
H	SHIELD	1	COPPER ALLOY 0.20T	NI PLATING
G	TRANSFER TERMINAL	1	COPPER ALLOY 0.20T	Δ Gold Flash on contact area and Solder tail all over Nickel Plating
F	MAKE TERMINAL	1	COPPER ALLOY 0.20T	GOLD FLASH
E	RING	1	COPPER ALLOY 0.20T	Δ Gold Flash on contact area and Solder tail all over Nickel Plating
D	TIP	1	COPPER ALLOY 0.25T	
C	EARTH	1	COPPER ALLOY 0.20T	GOLD FLASH
B	METAL	1	COPPER ALLOY 0.20T	GOLD FLASH
A	BODY	1	HIGH TEMP.THERMOPLASTIC UL 94V-0	BLACK

UNLESS OTHERWISE SPECIFIED TOLERANCES

Singatron Enterprise Co., Ltd.  
信音企業股份有限公司

DECIMALS:	ANGLES:	TITLE	3.5φ PHONE JACK		
X :±0.5	X :±2°	DWN	ZLS 14/8/19	PART NO. 2SJ2285-01269X	
X.X :±0.3	X.X :±1°	CHKD	BILLY 14/8/19	SCALE 3:1	UNIT: mm
X.XX :±0.2		APVD	ZJZ 14/8/19	SIZE: A3	SHEET: 10F1 REV: G
CUSTOMER COPY					