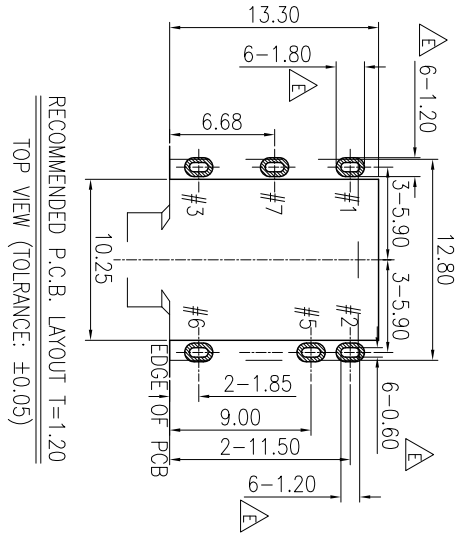
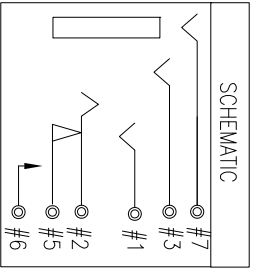


DATE CODE



RECOMMENDED P.C.B. LAYOUT T=1.20
TOP VIEW (TOLERANCE: ±0.05)



"TABLE"

P/N	COLOR
2SJ2285-112232	LIME(577C)
2SJ2285-112262	PINK(701C)

SPECIFICATIONS:

- ELECTRICAL CHARACTERISTICS:
 - RATING: 36V AC, 1A DC.
 - CONTACT RESISTANCE: 50mΩ MAX.
 - DIELECTRIC WITHSTANDING VOLTAGE: 500V AC FOR ONE MINUTE.
 - INSULATION RESISTANCE: 100MΩ MIN. MEASURED BY 500 VDC.
- MECHANICAL CHARACTERISTICS:
 - INSERTION FORCE : 0.4~3.0 KGF
 - WITHDRAWAL FORCE : 0.3~2.0 KGF
- LIFE TEST: 5,000 CYCLES MIN.
- OTHER GENERAL SPEC. TO REFER "2SJ2285 SERIES SPEC".
- TO CONFORM TO THE SINGATRON HAZARDOUS SUBSTANCE FREE SPEC.
- HALOGEN FREE PRODUCT IDENTIFICATION MARK ON JACK. ©
- HALOGEN FREE PRODUCT IDENTIFICATION LABEL ON PACKAGING:
- FOR HAND SOLDERING LEAD-FREE PROCESS.
- PACKAGING: TAP&REEL
- DATE CODE: YYMMDD

YY	MM	DD
Day	Month	Year

NO	DESCRIPTION	QTY	MATERIAL	PLATING & COLOR
A	BODY	1	UL 94V-0	SEE "TABLE"
B	EARTH	1	COPPER ALLOY 0.20T	GOLD FLASH
C	HP	1	COPPER ALLOY 0.25T	Δ Gold Flash on contact area and Solder fill, all over Nickel Plated
D	RING	1	COPPER ALLOY 0.20T	Δ Gold Flash on contact area and Solder fill, all over Nickel Plated
E	MAKE TERMINAL	1	COPPER ALLOY 0.20T	GOLD FLASH
F	TRANSFER TERMINAL	1	COPPER ALLOY 0.20T	Δ Gold Flash on contact area and Solder fill, all over Nickel Plated
G	SHIELD	1	COPPER ALLOY 0.20T	Nickel Plated
H	W/LAY	1	MYLAR 0.075T	

UNLESS OTHERWISE SPECIFIED TOLERANCES

DECIMALS:	ANGLES:
X : ±0.5	X : ±2°
X.X : ±0.3	X.X : ±1'
X.XX : ±0.2	

TITLE	PART NO.	UNIT:	SHEET:	REV:
DWN	3.50 PHONE JACK	mm	10F1	E
CHKD		mm		
APVD		mm		

CUSTOMER COPY

REV.	ECN NO	OR DESCRIPTION	REVISED	DATE
C	ECN NO:00015	Date: 2SJ2285-11222	LONGJIANG	2010.11.11
D	ECN NO:00049-16	Modify: Packing specification	Longjiang	2011.06.13
E	ECN NO:0140004	MODIFY LAYOUT	ZLS	2014.7.28