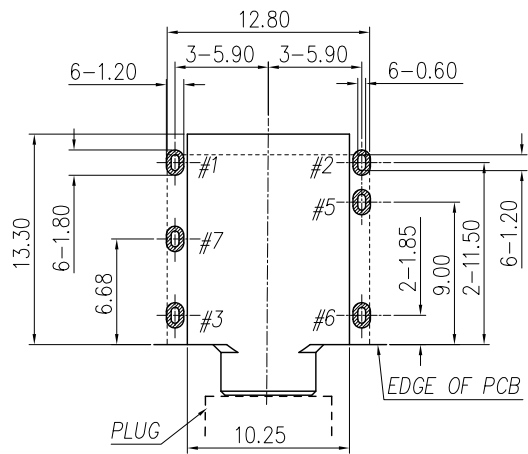
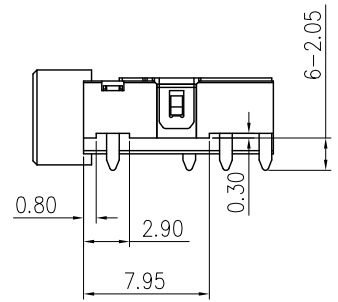
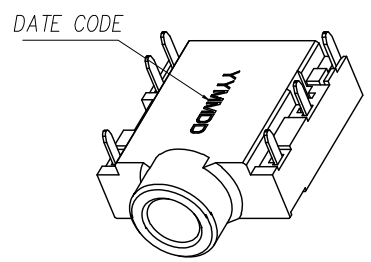
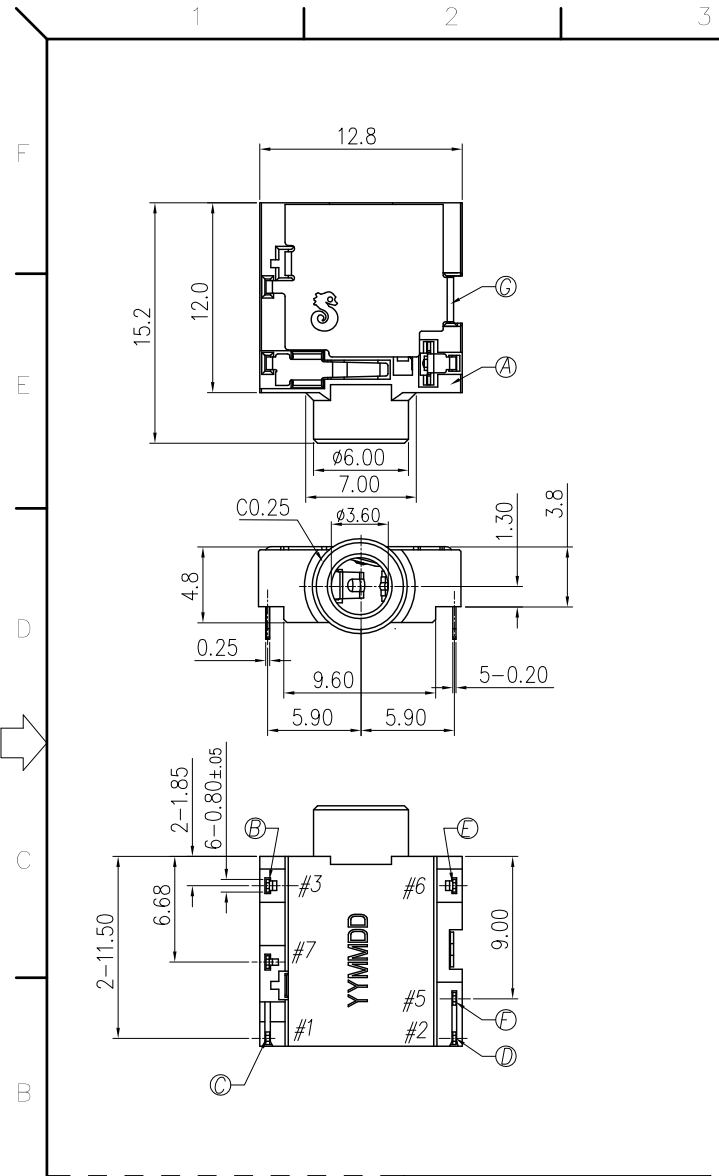
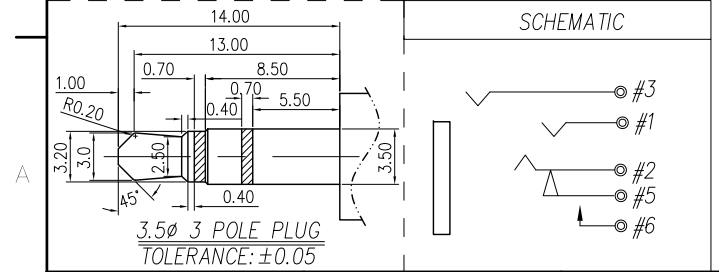


REV.	ECN NO OR DESCRIPTION	REVISED	DATE
A	PRODUCT RELEASE	ZLS	2013.03.06
B	ECN:C120075 MODIFY WITHDRAWAL FORCE	BILLY	2013.5.27



RECOMMENDED P.C.B. LAYOUT T=1.60  
TOP VIEW (TOLRANCE: ±0.05)



SPECIFICATIONS:

- ELECTRICAL CHARACTERISTICS:
  - RATING: 36V,1A
  - CONTACT RESISTANCE: 50mΩ MAX.
  - DIELECTRIC WITHSTANDING VOLTAGE: 500V AC FOR ONE MINUTE.
  - INSULATION RESISTANCE: 100MΩ MIN. MEASURED BY 500 VDC
- MECHANICAL CHARACTERISTICS:
  - INSERTION FORCE : 0.4~3.0 KGF
  - WITHDRAWAL FORCE : 1.0~3.0KGF(INITIAL),0.3~2.0 KGF(FINAL)
- LIFE TEST: 5,000 CYCLES .
- OTHER GENERAL SPEC. TO REFER "2SJ2285 SERIES SPEC".
- TO CONFORM TO THE SINGATRON HAZARDOUS SUBSTANCE FREE SPEC.
- HALOGEN PRODUCT IDENTIFICATION MARK ON JACK: Ⓞ
- HALOGEN FREE PRODUCT IDENTIFICATION LABEL ON PACKAGING:
- FOR REFLOW SOLDERING LEAD-FREE PROCESS.
- PACKAGING: TAP&REEL
- DATE CODE: YYMMDD
  - Day
  - Month
  - Year

NO	DESCRIPTION	QTY	MATERIAL	PLATING & COLOR
G	SHIELD	1	COPPER ALLOY 0.20T	Nicked Plated
F	TRANSFER TERMINAL	1	COPPER ALLOY 0.20T	Gold Flash on contact area and Solder tail, all over Nickel Plated
E	MAKE TERMINAL	1	COPPER ALLOY 0.20T	
D	RING	1	COPPER ALLOY 0.20T	
C	TIP	1	COPPER ALLOY 0.25T	
B	EARTH	1	COPPER ALLOY 0.20T	GOLD FLASH
A	BODY	1	HIGH TEMP.THERMOPLASTIC UL 94V-0	BLACK COLOR

DECIMALS:	ANGLES:	TITLE
X : ±0.5	X : ±2°	3.5φ PHONE JACK
X.X : ±0.3	X.X : ±1°	DWN 13/02/23 PART NO. 2SJ2285-215252F
X.XX : ±0.2		CHKD 13/02/23 SCALE 3:1 UNIT: mm
		APVD 13/02/23 SIZE: A3 SHEET: 10F1 REV: B

UNLESS OTHERWISE SPECIFIED TOLERANCES

Singatron Enterprise Co., Ltd.  
信音企業股份有限公司

CUSTOMER COPY