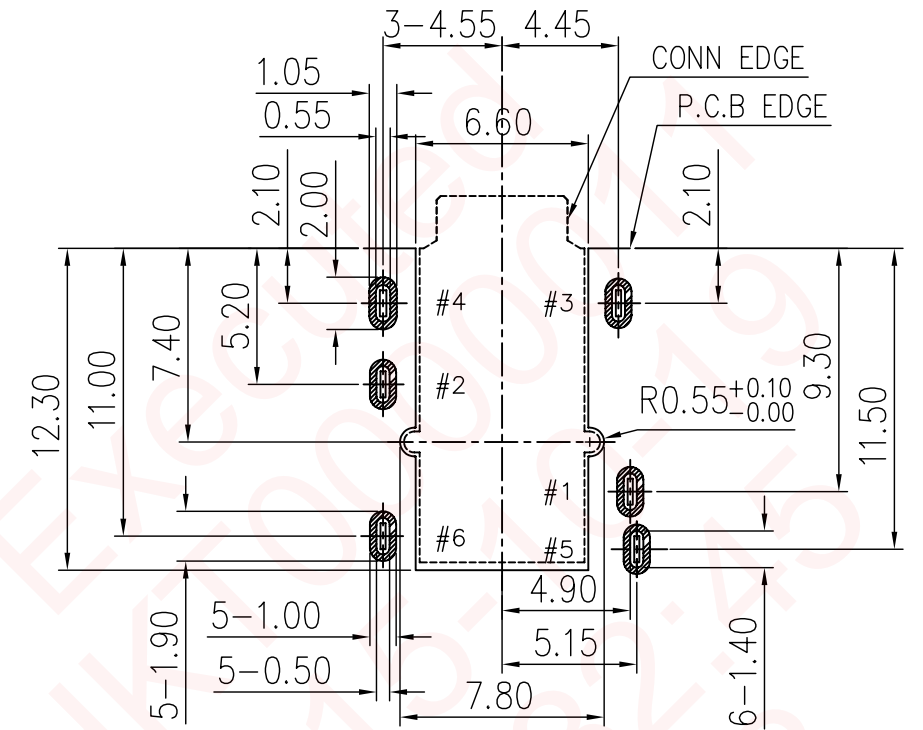
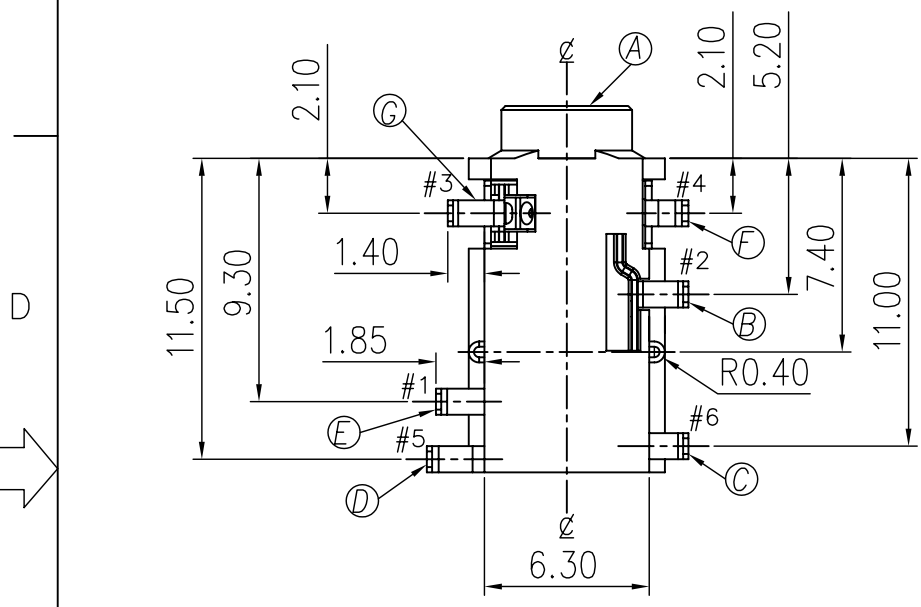
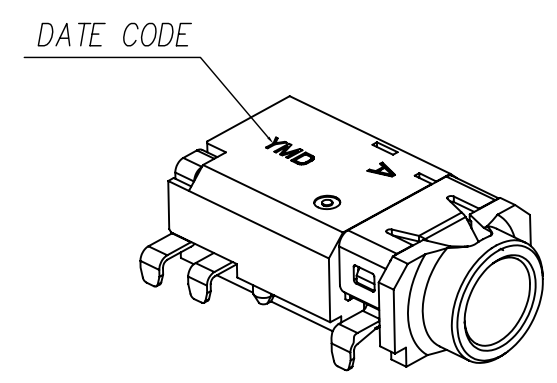
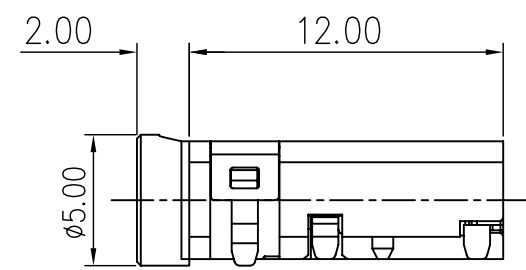
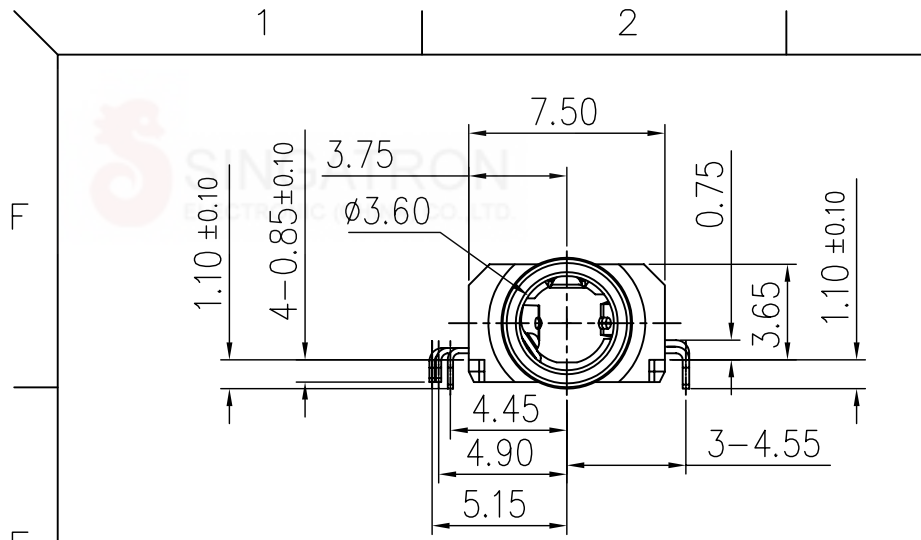
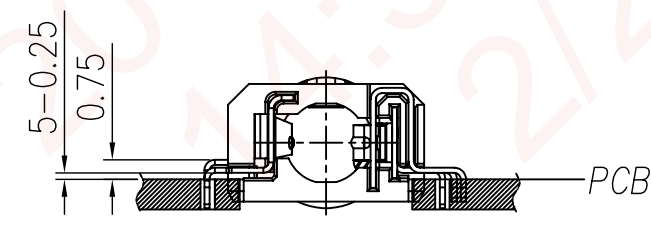
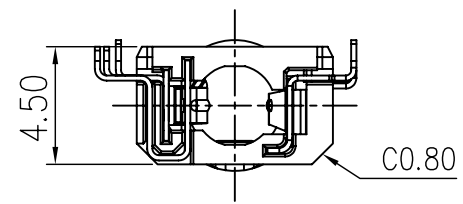


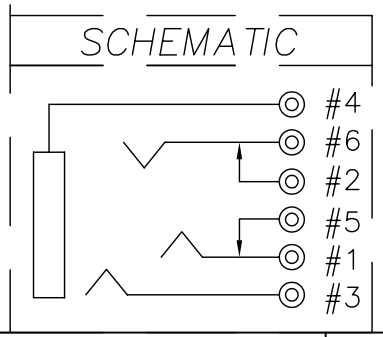
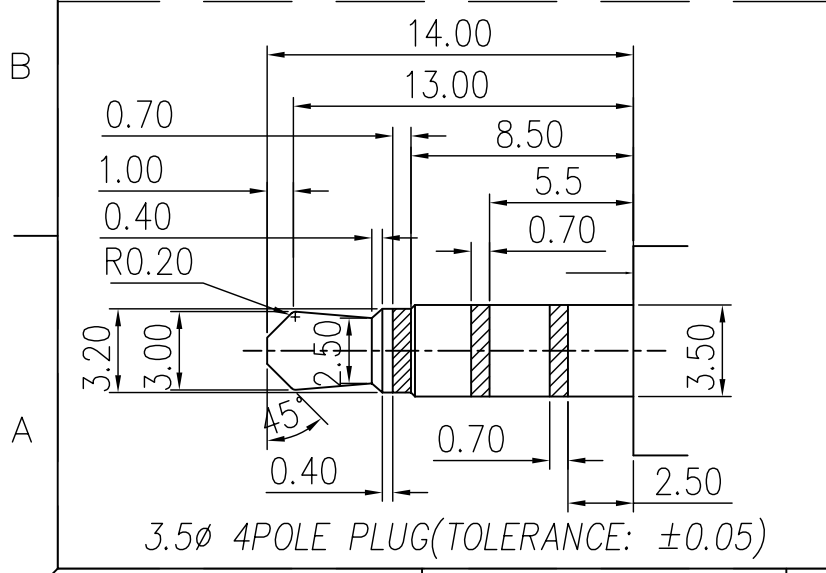
REV.	ECN NO OR DESCRIPTION	REVISED	DATE
A	PRODUCT RELEASE	REX	2015.09.10



- SPECIFICATIONS:
- ELECTRICAL CHARACTERISTICS:
 - 1-1. RATING: 12V/1A
 - 1-2. CONTACT RESISTANCE: 30mΩ MAX.(BEFORE)
 - 1-3. DIELECTRIC VOLTAGE WITHSTAND: 500V AC FOR ONE MINUTE
 - 1-4. INSULATION RESISTANCE: 100MΩ MIN. MEASURED BY 500V DC
 - MECHANICAL CHARACTERISTICS:
 - 2-1. INSERTED FORCE : 3.0 KGF MAX.
 - 2-2. WITHDRAWAL FORCE : 0.3~3.0 KGF
 - LIFE TEST: 10,000 CYCLES MIN.
 - TO CONFORM TO THE SINGATRON HSF SPECIFICATION.
 - HALOGEN FREE PRODUCT IDENTIFICATION MARK:
 - HALOGEN FREE PRODUCT IDENTIFICATION LABEL ON PACKAGING:
 - PACKAGING: TAPE & REEL.



RECOMMENDED P.C.B. LAYOUT
TOP VIEW (TOLERANCE: ±0.05)



G	RING-B	1	COPPER ALLOY 0.2t	1~3u" AU ON CONTACT AREA AND SOLDER TAIL, ALL OVER NICKEL 50u" MIN UNDER PLATED
F	EARTH	1	COPPER ALLOY 0.25t	
E	TIP	1	COPPER ALLOY 0.2t	
D	SHUNT-B	1	COPPER ALLOY 0.2t	
C	RING-A	1	COPPER ALLOY 0.2t	研發部(CS)
B	SHUNT-A	1	COPPER ALLOY 0.2t	
A	BODY	1	PA10T+GF30% UL 94V-0	BLACK COLOR
NO	DESCRIPTION	QTY	MATERIAL	PLATING & COLOR

UNLESS OTHERWISE SPECIFIED TOLERANCES

Singatron Enterprise Co., Ltd.
信音企業股份有限公司

DECIMALS:	ANGLES:	TITLE	ϕ3.5 PHONE JACK	
X : ±0.5	X : ±2°	DWN	Xinrong-Tan 15/10/16	PART NO. 2SJ2288-001111F
X.X : ±0.3	X.X : ±1°	CHKD	Zhijun-Wei 15/10/16	SCALE 3:1 UNIT: mm
X.XX : ±0.2		APVD	Ziz-Zhou 15/10/16	SIZE: A3 SHEET: 10F1 REV: A

CUSTOMER COPY