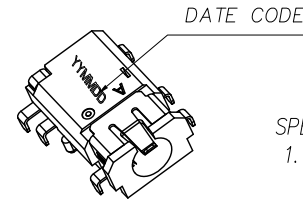
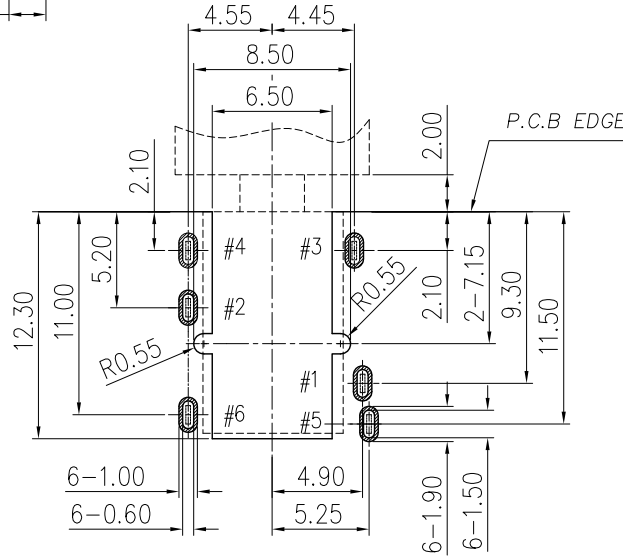
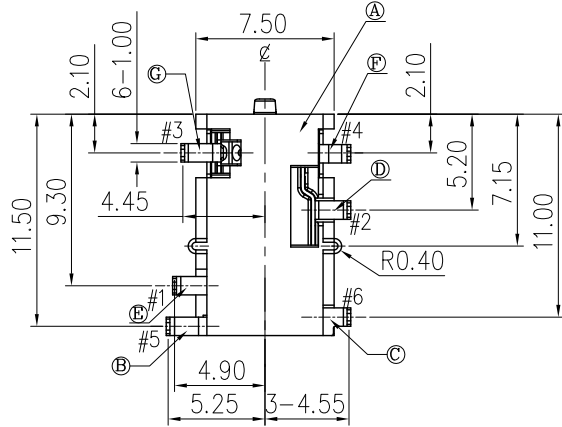
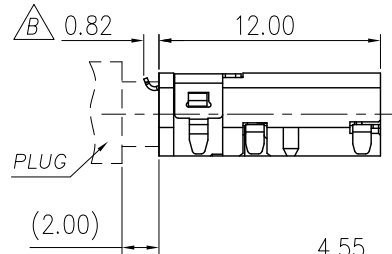
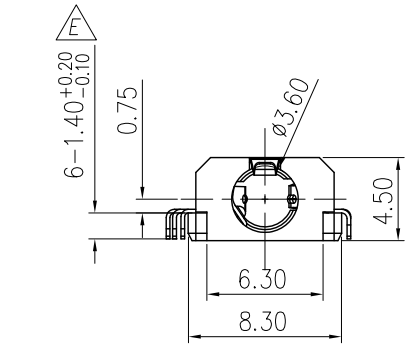


REV.	ECN NO OR DESCRIPTION	REVISED	DATE
C	ECN:C110362 Modify drawing	Longjiang	2011.11.14
D	ECN:C120005 ADD MATING DRAWING	Daowen	2012.02.21
E	ECN:C130034 Modify drawing	Longjiang	2013.03.20

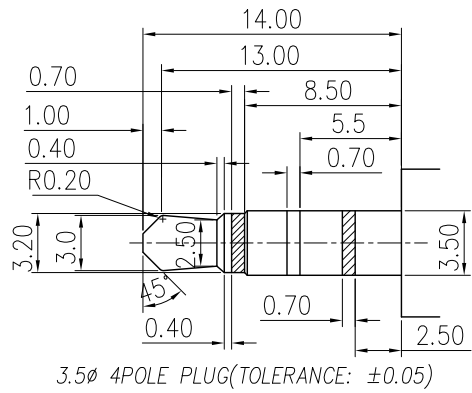
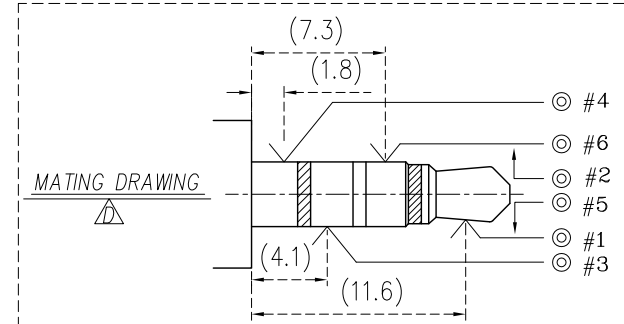


SPECIFICATIONS:

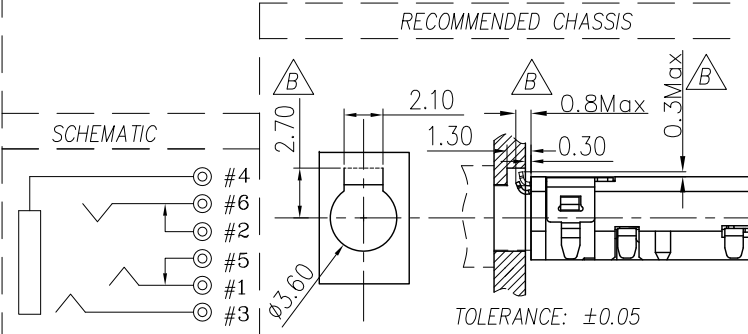
- ELECTRICAL CHARACTERISTICS:
  - RATING: 12V 1A
  - CONTACT RESISTANCE: 30mΩ MAX(BEFORE).
  - DIELECTRIC VOLTAGE WITHSTAND: 500V AC FOR ONE MINUTE
  - INSULATION RESISTANCE: 100MΩ MIN. MEASURED BY 500 VDC
- MECHANICAL CHARACTERISTICS:
  - INSERTED FORCE : 0.3~3.0Kgf
  - WITHDRAWAL FORCE : 0.3~3.0 Kgf
- LIFE TEST: 5,000 CYCLES MIN.
- TO CONFORM TO THE SINGATRON HSF SPECIFICATION.
- HALOGEN FREE PRODUCT IDENTIFICATION MARK:
- HALOGEN FREE PRODUCT IDENTIFICATION LABEL ON PACKAGING:
- FOR IR REFLOW SOLDERING LEAD-FREE PROCESS.
- OTHER GENERAL SPEC. TO REFER "2SJ2289 SERIES SPEC".
- PACKAGING: TAPE & REEL.



RECOMMENDED P.C.B. LAYOUT  
 <TOP VIEW> TOLERANCE : ± 0.05



3.5φ 4POLE PLUG(TOLERANCE: ±0.05)



TOLERANCE: ±0.05

NO	DESCRIPTION	QTY	MATERIAL	PLATING & COLOR
G	RING-B	1	COPPER ALLOY 0.2t	GOLD FLASH
F	EARTH	1	COPPER ALLOY 0.2t	GOLD FLASH
E	TIP	1	COPPER ALLOY 0.2t	GOLD FLASH
D	SHUNT-A	1	COPPER ALLOY 0.2t	GOLD FLASH
C	RING-A	1	COPPER ALLOY 0.2t	GOLD FLASH
B	SHUNT-B	1	COPPER ALLOY 0.2t	GOLD FLASH
A	BODY	1	HIGH TEMP. THERMOPLASTIC UL 94V-0	BLACK

UNLESS OTHERWISE SPECIFIED TOLERANCES		Singatron Enterprise Co., Ltd. 信音企業股份有限公司	
DECIMALS:	ANGLES:	TITLE	ø3.5 PHONE JACK
X : ±0.5	X : ±2°	DWN	Longjiang 13/3/21 PART NO. 2SJ2289-008111F
X.X : ±0.3	X.X : ±1°	CHKD	ZZ 13/3/21 SCALE 3.5:1 UNIT: mm
X.XX : ±0.2		APVD	Liao 13/3/21 SIZE: A3 SHEET: 10F1 REV: E

CUSTOMER COPY