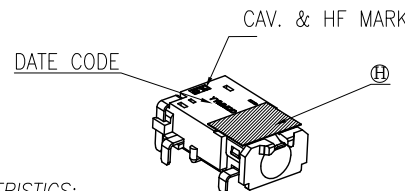
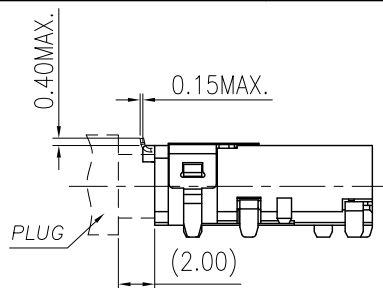
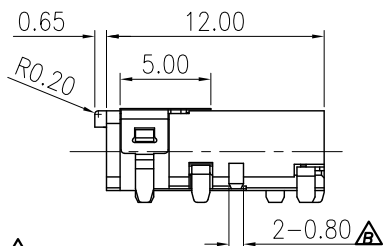
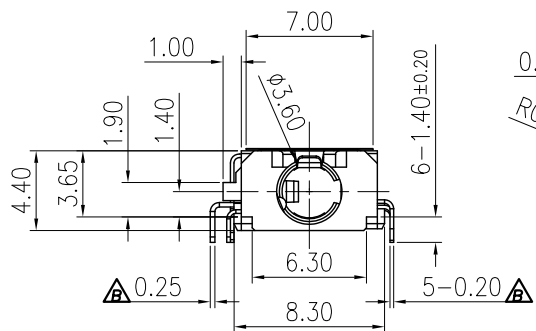
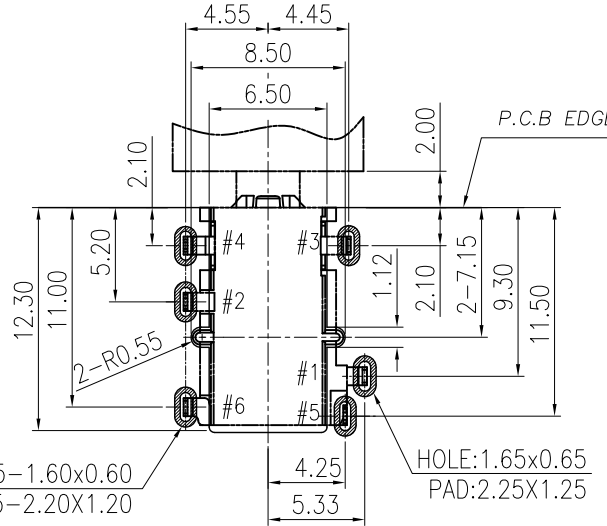
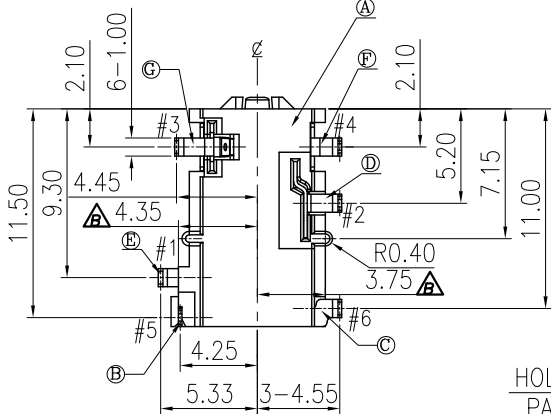


REV.	ECN NO OR DESCRIPTION	REVISED	DATE
A	PRODUCT RELEASE	Sticky	2012.11.26
B	ECR NO.:C140268 Add Dimension	REX	2014.11.18



PLUG IN SPECIFICATIONS:

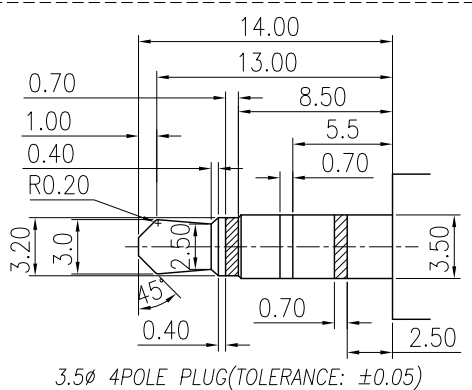
- ELECTRICAL CHARACTERISTICS:
 - 1-1. RATING: 12V 1A
 - 1-2. CONTACT RESISTANCE: 30mΩ MAX.(BEFORE)
 - 1-3. DIELECTRIC VOLTAGE WITHSTAND: 500V AC FOR ONE MINUTE
 - 1-4. INSULATION RESISTANCE: 100MΩ MIN. MEASURED BY 500 VDC
- MECHANICAL CHARACTERISTICS:
 - 2-1. INITIAL :
 - INSERTED FORCE : 0.7~2.7Kgf
 - WITHDRAWAL FORCE : 0.7~2.7Kgf
 - 2-2. AFTER LIFE TEST :
 - INSERTED FORCE : 0.35Kgf min.
 - WITHDRAWAL FORCE : 0.35Kgf min.
- LIFE TEST: 5,000 CYCLES MIN.
- TO CONFORM TO THE SINGATRON HSF SPECIFICATION.
- HALOGEN FREE PRODUCT IDENTIFICATION MARK:
- HALOGEN FREE PRODUCT IDENTIFICATION LABEL ON PACKAGING:
- FOR IR REFLOW SOLDERING LEAD-FREE PROCESS.
- OTHER GENERAL SPEC. TO REFER "2SJ2289-016111F SPEC".
- PACKAGING: TAPE & REEL.



HOLE:5-1.60x0.60
PAD:5-2.20X1.20

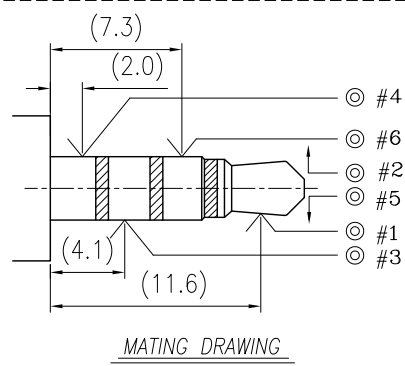
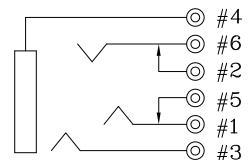
HOLE:1.65x0.65
PAD:2.25X1.25

RECOMMENDED P.C.B. LAYOUT
 <TOP VIEW> TOLERANCE : ± 0.05



3.5φ 4POLE PLUG(TOLERANCE: ±0.05)

SCHEMATIC



MATING DRAWING

H	MYLAR	1	MYLAR 0.075t	BLACK																
G	RING-B	1	COPPER ALLOY 0.2t	GOLD FLASH ON CONTACT AREA AND SOLDER TAIL, ALL OVER NICKEL PLATED																
F	EARTH	1	COPPER ALLOY 0.2t																	
E	TIP	1	COPPER ALLOY 0.25t																	
D	SHUNT-A	1	COPPER ALLOY 0.2t																	
C	RING-A	1	COPPER ALLOY 0.2t	BLACK																
B	SHUNT-B	1	COPPER ALLOY 0.2t																	
A	BODY	1	HIGH TEMP. THERMOPLASTIC UL 94V-0	PLATING & COLOR																
NO	DESCRIPTION	QTY	MATERIAL																	
UNLESS OTHERWISE SPECIFIED TOLERANCES			Singatron Enterprise Co., Ltd. 信音企業股份有限公司																	
DECIMALS: X ±0.5, X.X ±0.3, X.XX ±0.2		ANGLES: X ±2°, X.X ±1°		<table border="1"> <tr> <td>TITLE</td> <td colspan="3">ø3.5 PHONE JACK</td> </tr> <tr> <td>DWN</td> <td>REX</td> <td>2014.11.21</td> <td>PART NO. 2SJ2289-013111F</td> </tr> <tr> <td>CHKD</td> <td>WZJ</td> <td>2014.11.21</td> <td>SCALE 35:1 UNIT: mm</td> </tr> <tr> <td>APVD</td> <td>ZJZ</td> <td>2014.11.21</td> <td>SIZE: A3 SHEET: 10F1 REV: B</td> </tr> </table>	TITLE	ø3.5 PHONE JACK			DWN	REX	2014.11.21	PART NO. 2SJ2289-013111F	CHKD	WZJ	2014.11.21	SCALE 35:1 UNIT: mm	APVD	ZJZ	2014.11.21	SIZE: A3 SHEET: 10F1 REV: B
TITLE	ø3.5 PHONE JACK																			
DWN	REX	2014.11.21	PART NO. 2SJ2289-013111F																	
CHKD	WZJ	2014.11.21	SCALE 35:1 UNIT: mm																	
APVD	ZJZ	2014.11.21	SIZE: A3 SHEET: 10F1 REV: B																	
CUSTOMER COPY																				