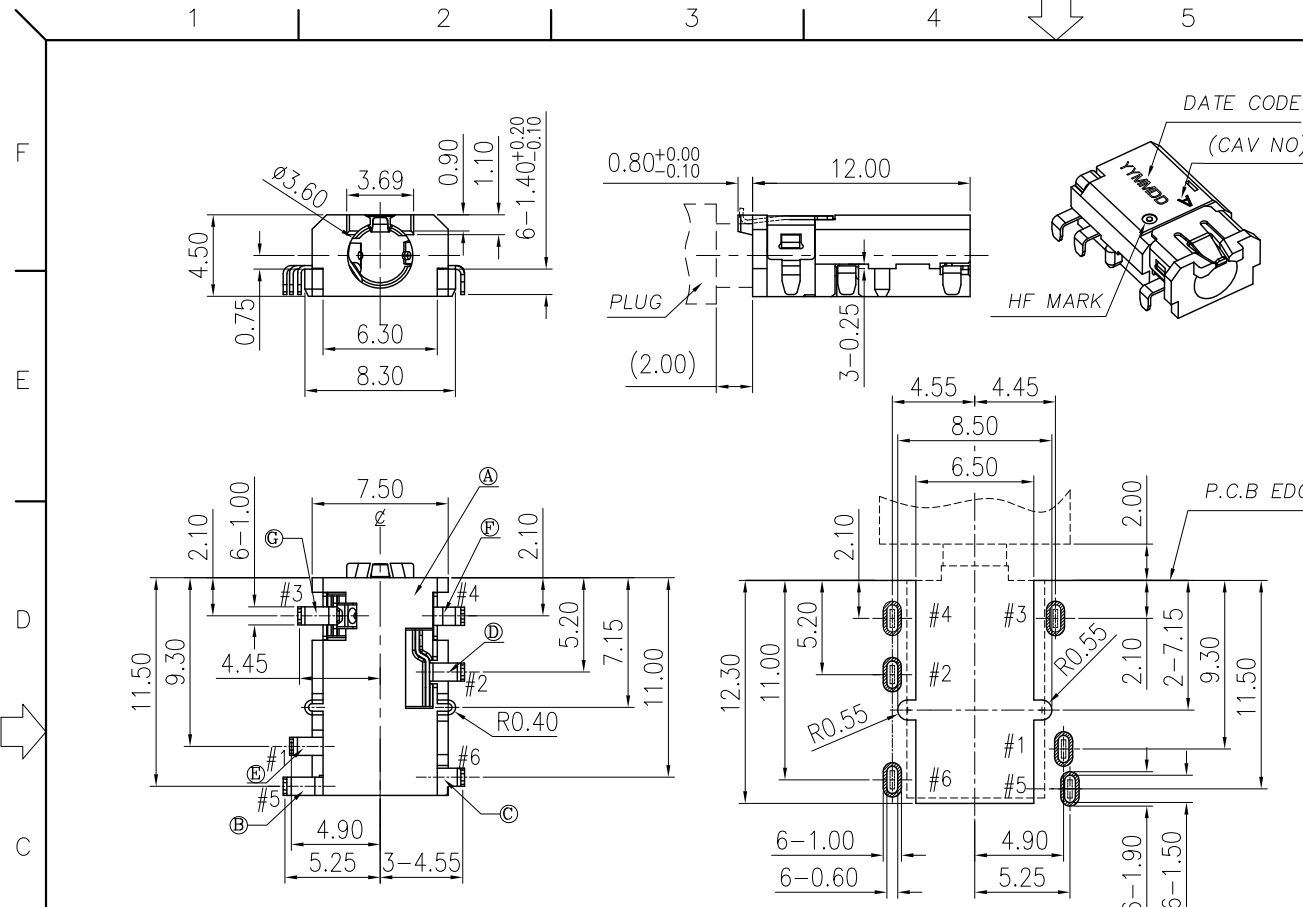
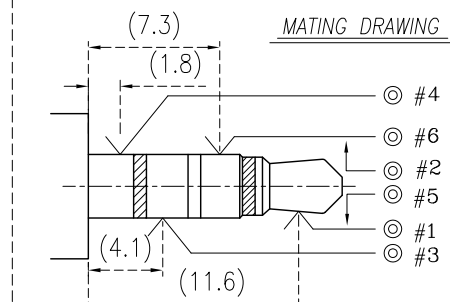


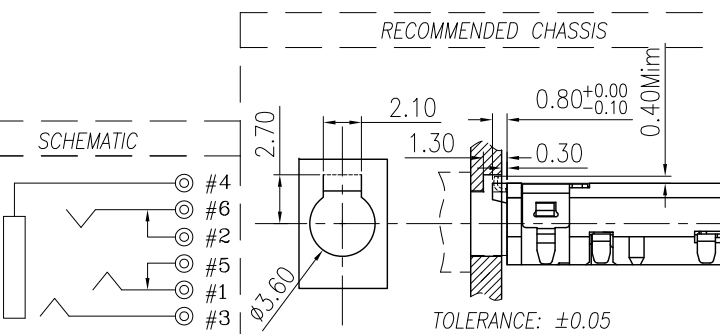
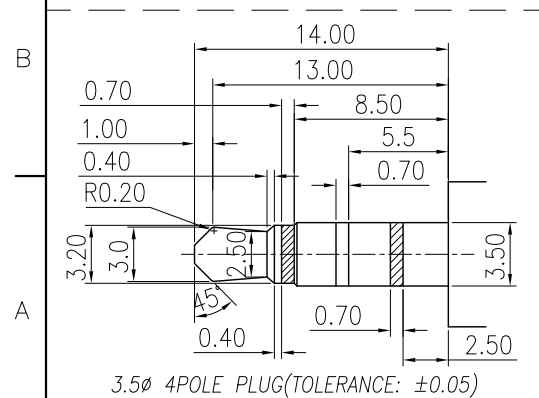
REV.	ECN NO OR DESCRIPTION	REVISED	DATE
A	PRODUCT RELEASE	Longjiang	2013.04.01



- SPECIFICATIONS:
- ELECTRICAL CHARACTERISTICS:
    - RATING: 12V 1A
    - CONTACT RESISTANCE: 30m  $\Omega$  MAX(BEFORE).
    - DIELECTRIC VOLTAGE WITHSTAND: 500V AC FOR ONE MINUTE
    - INSULATION RESISTANCE: 100M  $\Omega$  MIN. MEASURED BY 500 VDC
  - MECHANICAL CHARACTERISTICS:
    - AFTER DURABILITY TEST:
      - INSERTED FORCE : 0.7~2.7Kgf
      - WITHDRAWAL FORCE : 0.7~2.7 Kgf
    - AFTER DURABILITY TEST:
      - INSERTION FORCE : 0.35kgf Min
      - WITHDRAWAL FORCE : 0.35kgf Min
  - LIFE TEST: 5,000 CYCLES MIN.
  - TO CONFORM TO THE "2SJ2289-016111F" SPECIFICATION.
  - HALOGEN FREE PRODUCT IDENTIFICATION MARK:
  - HALOGEN FREE PRODUCT IDENTIFICATION LABEL ON PACKAGING:
  - FOR IR REFLOW SOLDERING LEAD-FREE PROCESS.
  - PACKAGING: TAPE & REEL.



RECOMMENDED P.C.B. LAYOUT  
<TOP VIEW> TOLERANCE :  $\pm 0.05$



G	RING-B	1	COPPER ALLOY 0.2t	GOLD FLASH ON CONTACT AREA AND SOLDER TAIL, ALL OVER NICKEL PLATED
F	EARTH	1	COPPER ALLOY 0.2t	
E	TIP	1	COPPER ALLOY 0.2t	
D	SHUNT-A	1	COPPER ALLOY 0.2t	
C	RING-A	1	COPPER ALLOY 0.2t	
B	SHUNT-B	1	COPPER ALLOY 0.2t	
A	BODY	1	HIGH TEMP. THERMOPLASTIC UL 94V-0	BLACK
NO	DESCRIPTION	QTY	MATERIAL	PLATING & COLOR

UNLESS OTHERWISE SPECIFIED TOLERANCES

Singatron Enterprise Co., Ltd.  
信音企業股份有限公司

DECIMALS: ANGLES:  
X :  $\pm 0.5$  X :  $\pm 2^\circ$   
X.X :  $\pm 0.3$  X.X :  $\pm 1^\circ$   
X.XX :  $\pm 0.2$

TITLE	$\phi 3.5$ PHONE JACK		
DWN	Longjiang 13/4/8	PART NO. 2SJ2289-016111F	
CHKD	ZJZ 13/4/8	SCALE 35:1	UNIT: mm
APVD	Liao 13/4/8	SIZE: A3	SHEET: 10F1

REV: A

CUSTOMER COPY