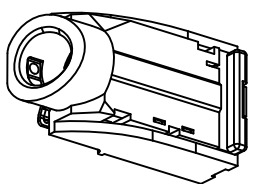


REV.	ECN NO OR DESCRIPTION	REVISED	DATE
A	PRELIMINARY	Sticky	2009.10.12
B	ECN No.: C090230(1/3)	Sticky	2010.03.31



SPECIFICATIONS:

1. ELECTRICAL CHARACTERISTICS:

- 1-1. RATING: 12V 1A
- 1-2. CONTACT RESISTANCE: 30mΩ MAX.
- 1-3. DIELECTRIC WITHSTANDING VOLTAGE: 500V AC FOR ONE MINUTE
- 1-4. INSULATION RESISTANCE: 100MΩ MIN. MEASURED BY 500 VDC

2. MECHANICAL CHARACTERISTICS:

- 2-1. INSERTION FORCE : 0.3~3.0 KGf (INITIAL)
- 2-2. WITHDRAWAL FORCE : 0.3~3.0 KGf (INITIAL)
- 2-1. INSERTION FORCE : 0.2~3.0 KGf (AFTER LIFE TEST)
- 2-2. WITHDRAWAL FORCE : 0.2~3.0 KGf (AFTER LIFE TEST)
- 3. LIFE TEST: 5,000 CYCLES MIN.

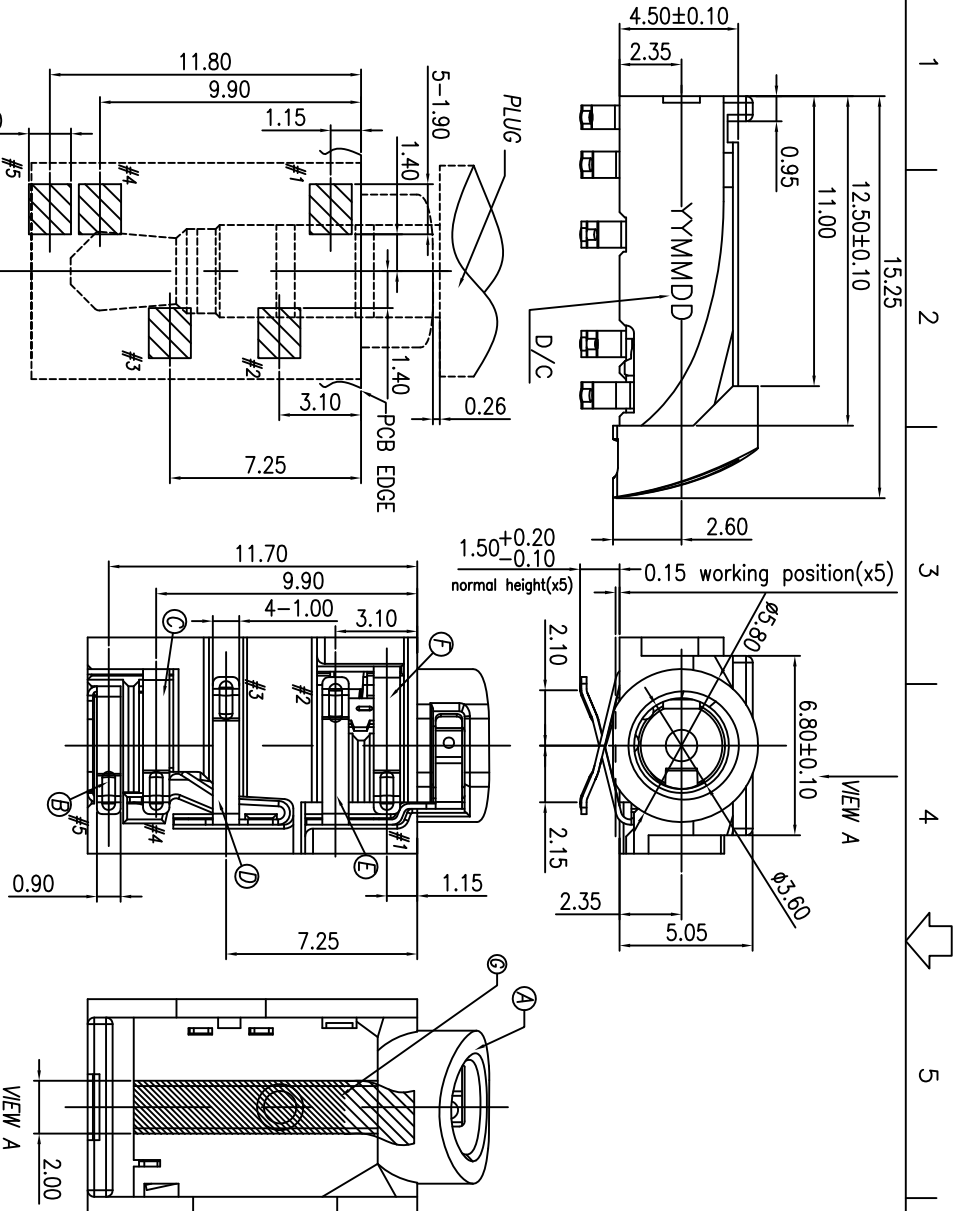
4. OTHER GENERAL SPEC. TO REFER "2SJ2291 SERIES SPEC."

- 5. TO CONFORM TO THE SINGATRON HARDWARE SUBSTANCE FREE SPEC.
- 6. GREEN PRODUCT IDENTIFICATION MARK ON JACK: ☉
- 7. GREEN PRODUCT IDENTIFICATION LABEL ON PACKAGING:

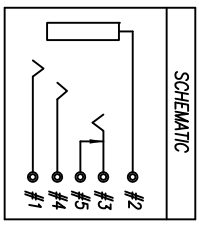
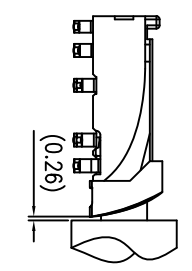
PRODUCT NO.

2SJ2291-100111

PACKAGING
1. TRAY
BODY COLOR
1. BLACK
CONTACT PLATING
1. GOLD FLASH
NICKEL UNDERPLATING



RECOMMENDED PCB LAYOUT
TOP VIEW (TOLERANCE: ±0.05)



MATING PLUG (TOLERANCE: ±0.05)
Ø3.5 4-POLE STANDARD PLUG

NO	DESCRIPTION	QTY	MATERIAL	PLATING & COLOR
A	BODY	1	TERMPASTIC - HF UH-0	
B	SHUNT SPRING	1	COPPER ALLOY 0.2t	
C	RING-A	1	COPPER ALLOY 0.2t	
D	TIP SPRING	1	COPPER ALLOY 0.2t	
E	EARTH	1	COPPER ALLOY 0.2t	
F	RING-B	1	COPPER ALLOY 0.2t	
G	TWO-SIDED	1	TESA 60975 T=0.10	

UNLESS OTHERWISE SPECIFIED TOLERANCES

DECIMALS: ANGLES:

X : ±0.5 X : ±2°
 XX : ±0.3 XX : ±1°
 XXX : ±0.2

Singatron Enterprise Co., Ltd.
信登企業股份有限公司

TITLE: 3.50 PHONE JACK

DWN: Sticky 2009.10.12 PART NO. 2SJ2291-100111

CHKD: SCALE 5:1 UNIT: mm

APVD: ROBIN 2009.03.31 SIZE: A3 SHEET: 10F1 REV. B

CUSTOMER COPY