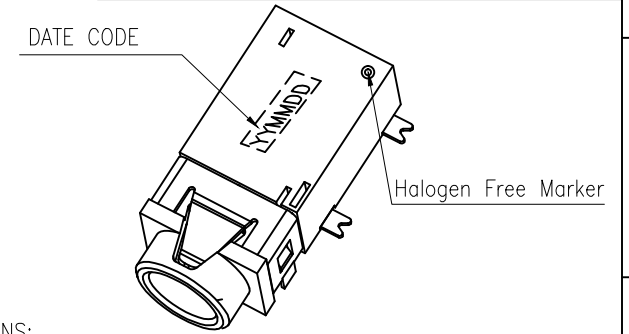
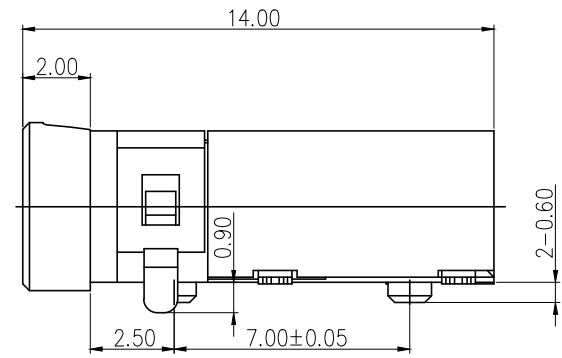
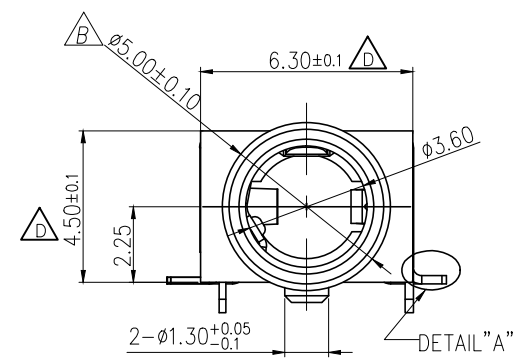


REV.	ECN NO OR DESCRIPTION	REVISED	DATE
A	INITIAL RELEASE	HARVEY	2009.07.23
B	ECN:C100264 MODIFY TOLERANCE	REX	2010.07.14
C	ECN NO.:C140200 ADD PCB Layout dimension	REX	2014.09.04
D	ECR NO.:C202102-C02 Update dimension	CHENEY	2021.03.18

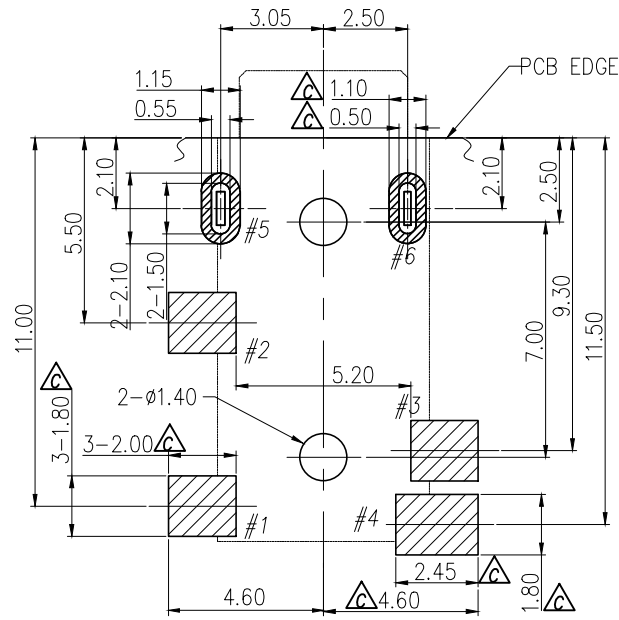
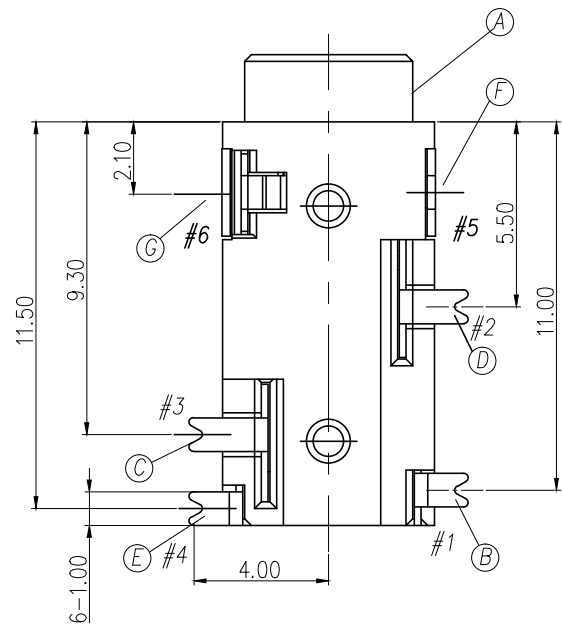


SPECIFICATIONS:

- ELECTRICAL CHARACTERISTICS:
  - RATING: 12V 1A
  - CONTACT RESISTANCE: 30m ΩMAX.(INITIAL)
  - DIELECTRIC WITHSTANDING VOLTAGE: 500V AC FOR ONE MINUTE.
  - INSULATION RESISTANCE: 100M ΩMIN. MEASURED BY 500 VDC
- MECHANICAL CHARACTERISTICS:
  - INSERTION FORCE : 0.3~3.0 KGF
  - WITHDRAWAL FORCE : 0.3~3.0 KGF
- LIFE TEST: 5,000 CYCLES MIN.
- OTHER GENERAL SPEC. TO REFER "2SJ2296 SERIES SPEC".
- TO CONFORM TO SINGATRON HAZARDOUS SUBSTANCE FREE SPEC.
- GREEN PRODUCT IDENTIFICATION MARK ON JACK: ☉
- GREEN PRODUCT IDENTIFICATION LABEL ON PACKING:
- FOR REFLOW SOLDERING LEAD-FREE PROCESS.

NO	DESCRIPTION	QTY	MATERIAL	PLATING & COLOR
G	RING-B	1	COPPER ALLOY 0.2t	GOLD FLASH
F	EARTH	1	COPPER ALLOY 0.25t	GOLD FLASH
E	TIP SPRING	1	COPPER ALLOY 0.2t	GOLD FLASH
D	SHUNT-B	1	COPPER ALLOY 0.2t	GOLD FLASH
C	SHUNT-A	1	COPPER ALLOY 0.2t	GOLD FLASH
B	RING-A	1	COPPER ALLOY 0.2t	GOLD FLASH
A	BODY	1	HIGH TEMP. THERMOPLASTIC UL94-V0	BLACK COLOR

UNLESS OTHERWISE SPECIFIED TOLERANCES		Singatron Enterprise Co., Ltd. 信音企業股份有限公司	
DECIMALS:	ANGLES:	TITLE	ø3.5 PHONE JACK
X :±0.5	X :±2°	DWN	Nanlin-Chen
X.X :±0.3	X.X :±1°	CHKD	Qicai-Hu
X.XX :±0.2		APVD	jim-deng
		PART NO.	2SJ2296-001212
		SCALE	1:1
		UNIT	mm
		SIZE	A3
		SHEET	10F1
		REV	D
CUSTOMER COPY			



RECOMMENDED PCB LAYOUT  
TOP VIEW (TOLERANCE: ±0.05)

