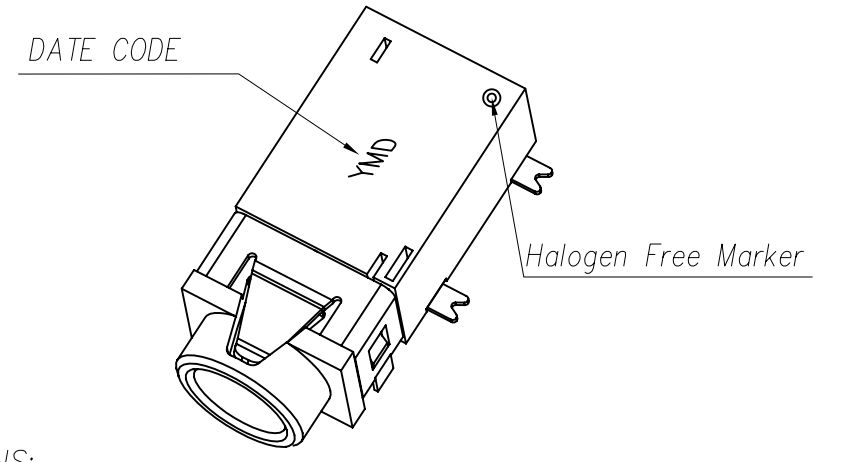
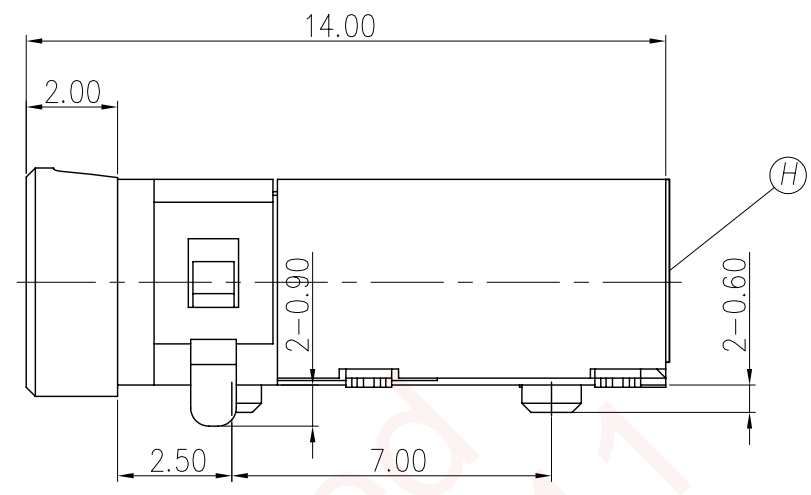
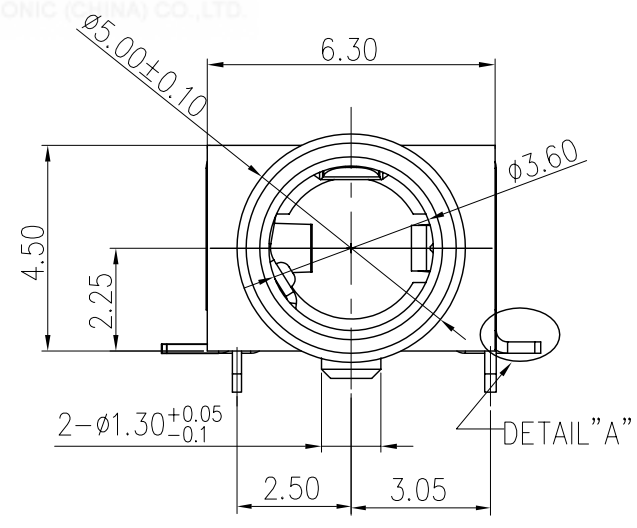
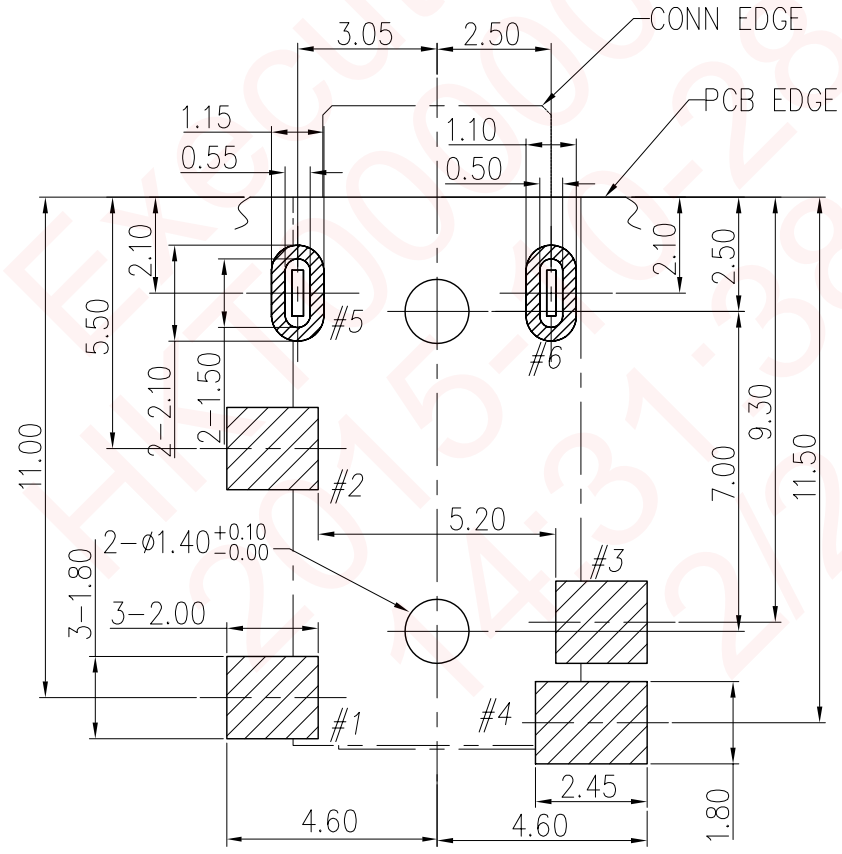
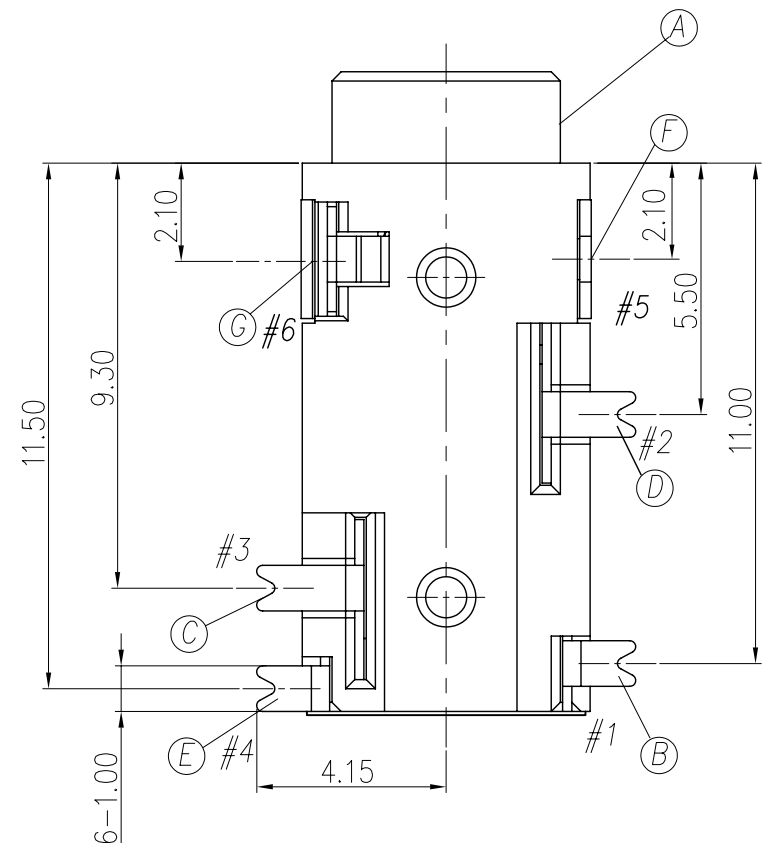


REV.	ECN NO OR DESCRIPTION	REVISED	DATE
A	PRODUCT RELEASE	REX	2015.10.20



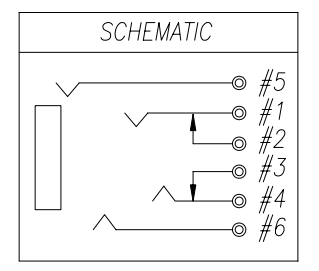
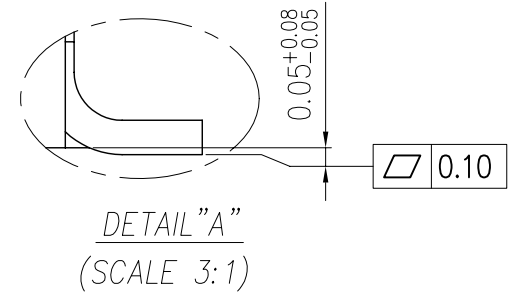
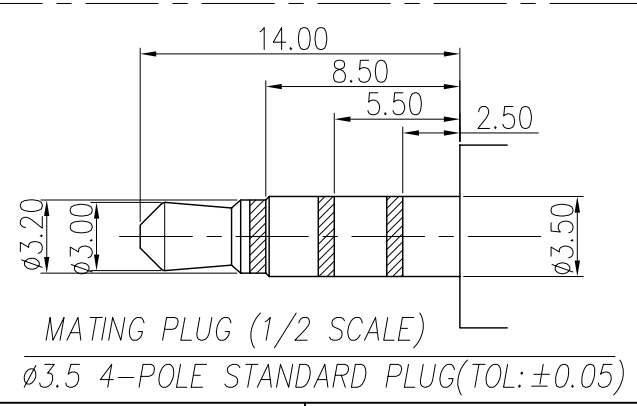
**SPECIFICATIONS:**

- ELECTRICAL CHARACTERISTICS:**
  - 1-1. RATING: 12V/1A
  - 1-2. CONTACT RESISTANCE: 30mΩ MAX.(INITIAL)
  - 1-3. DIELECTRIC WITHSTANDING VOLTAGE: 500V AC FOR ONE MINUTE.
  - 1-4. INSULATION RESISTANCE: 100MΩ MIN. MEASURED BY 500 VDC
- MECHANICAL CHARACTERISTICS:**
  - 2-1. INSERTION FORCE : 0.3~3.0 KGF
  - 2-2. WITHDRAWAL FORCE : 0.3~3.0 KGF
- LIFE TEST: 5,000 CYCLES MIN.**
- OTHER GENERAL SPEC. TO REFER "2SJ2296 SERIES SPEC".**
- TO CONFORM TO SINGATRON HAZARDOUS SUBSTANCE FREE SPEC.**
- GREEN PRODUCT IDENTIFICATION MARK ON JACK:**
- GREEN PRODUCT IDENTIFICATION LABEL ON PACKING:**
- FOR REFLOW SOLDERING LEAD-FREE PROCESS.**



RECOMMENDED PCB LAYOUT  
TOP VIEW (TOLERANCE: ±0.05)

NO	DESCRIPTION	QTY	MATERIAL	PLATING & COLOR
H	MYLAR	1	MYLAR 6.1*4.0*0.08T	
G	RING-B	1	COPPER ALLOY 0.2t	GOLD FLASH
F	EARTH	1	COPPER ALLOY 0.25t	GOLD FLASH
E	TIP SPRING	1	COPPER ALLOY 0.2t	GOLD FLASH
D	SHUNT-B	1	COPPER ALLOY 0.2t	GOLD FLASH
C	SHUNT-A	1	COPPER ALLOY 0.2t	GOLD FLASH
B	RING-A	1	COPPER ALLOY 0.2t	GOLD FLASH
A	BODY	1	HIGH TEMP. THERMOPLASTIC UL94-V0	BLACK COLOR



UNLESS OTHERWISE SPECIFIED TOLERANCES		X : ±0.5		X.X : ±0.3		X.XX : ±0.2		X : ±2°		X.X : ±1°	
TITLE	Singatron Enterprise Co., Ltd. 信音企業股份有限公司										
DWN	Xinrong-Tan 15/10/27	PART NO. 2SJ2296-002212F		SCALE 6:1		UNIT: mm		APVD		Zij-Zhou 15/10/27	
CHKD	Zhijun-Wei 15/10/27	SIZE: A3		SHEET: 10F1		REV: A		CUSTOMER COPY		5/10/28	