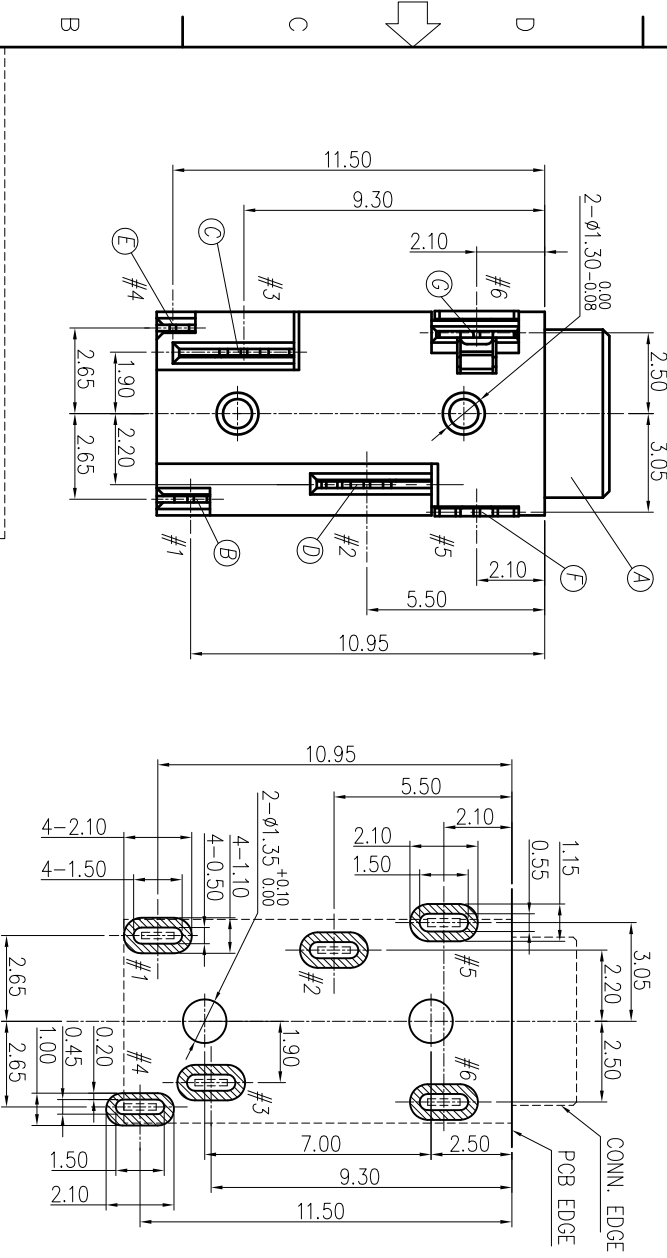
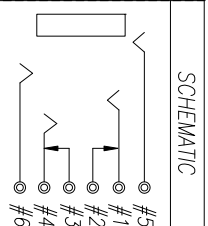
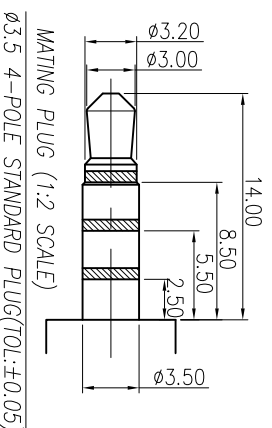


**SPECIFICATIONS:**

- 1. ELECTRICAL CHARACTERISTICS:**
- 1-1. RATING: 12V 1A
  - 1-2. CONTACT RESISTANCE: 30m ΩMAX.(INITIAL)
  - 1-3. DIELECTRIC WITHSTANDING VOLTAGE: 500V AC FOR ONE MINUTE.
  - 1-4. INSULATION RESISTANCE: 100M ΩMIN. MEASURED BY 500 VDC
- 2. MECHANICAL CHARACTERISTICS:**
- 2-1. INSERTION FORCE : 0.3~3.0 KGf
  - 2-2. WITHDRAWAL FORCE : 0.3~3.0 KGf
  - 3. LIFE TEST: 5,000 CYCLES.
  - 4. OTHER GENERAL SPEC. TO REFER "2SU2296 SERIES SPEC".
  - 5. TO CONFORM TO SINGATRON HAZARDOUS SUBSTANCE FREE SPEC.
  - 6. HALOGEN FREE PRODUCT IDENTIFICATION MARK ON PRODUCT:
  - 7. HALOGEN FREE PRODUCT IDENTIFICATION LABEL ON PACKAGING:
  - 8. FOR REFLOW SOLDERING LEAD-FREE PROCESS.
  - 9. PACKAGING: TAPE & REEL.



RECOMMENDED PCB LAYOUT  
TOP VIEW (TOLERANCE: ±0.05)



NO	DESCRIPTION	QTY	MATERIAL	PLATING & COLOR
A	BODY	1	COPPER ALLOY 0.2t	BLACK
B	RING-A	1	COPPER ALLOY 0.2t	
C	SHUNT-A	1	COPPER ALLOY 0.2t	
D	SHUNT-B	1	COPPER ALLOY 0.2t	
E	TIP SPRING	1	COPPER ALLOY 0.2t	
F	EARTH	1	COPPER ALLOY 0.25t	GOLD FLASH ON CONTACT AREA AND SOLDER TAIL, ALL OVER NICKEL PLATED
G	RING-B	1	COPPER ALLOY 0.2t	

DECIMALS:	ANGLES:
X : ±0.5	X : ±2°
XX : ±0.3	XX : ±1°
XXX : ±0.2	

TITLE	DATE	SCALE	UNIT	SHEET	REV.
φ3.5MM PHONE JACK	14/6/22	6:1	mm	10F1	A

Singatron Enterprise Co., Ltd.  
信音企業股份有限公司

CUSTOMER COPY

REV	ECN NO	OR DESCRIPTION	REVISED	DATE
A		PRODUCT RELEASE	WZJ	2014.05.13