

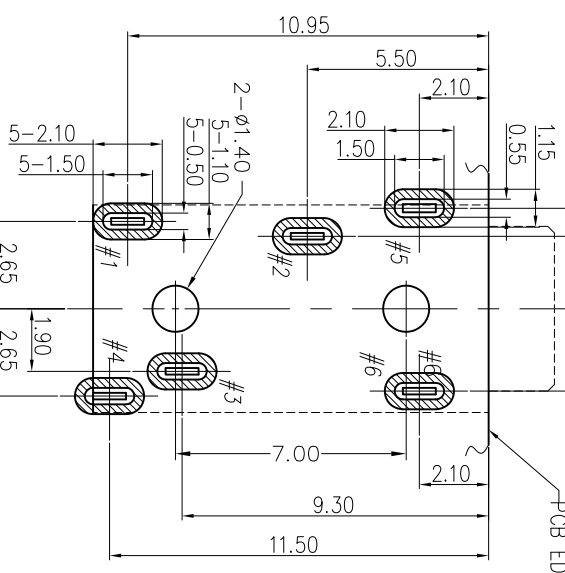
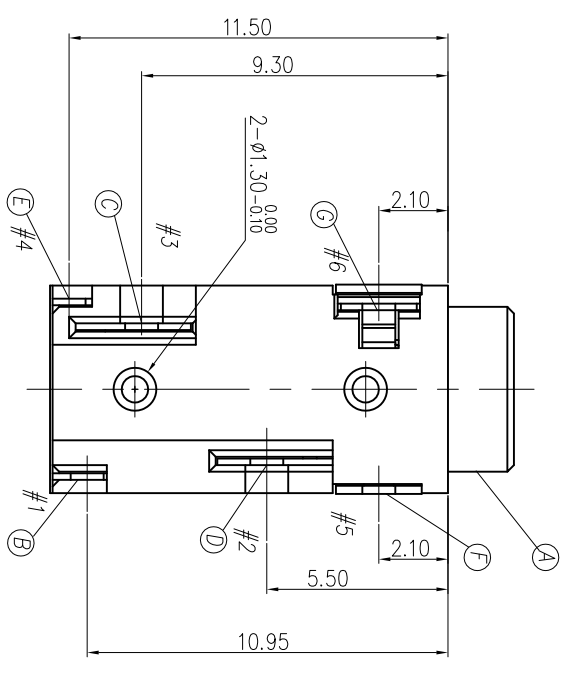
REV.	ECN NO OR DESCRIPTION	REVISED	DATE
A	ECN NO:C100447	LONGJIANG	2010.11.11
B	ECN-C140231-UPDATE DRAWING	REX	2014.09.22

DATE CODE

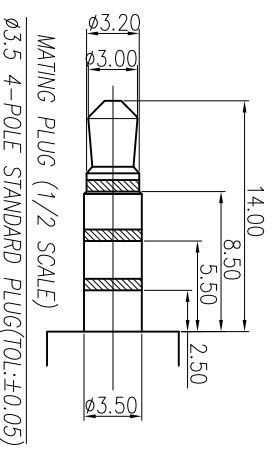
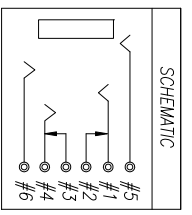
Halogen Free Marker

SPECIFICATIONS:

- ELECTRICAL CHARACTERISTICS:
 - RATING: 12V 1A
 - CONTACT RESISTANCE: 30mΩ MAX (INITIAL)
 - DIELECTRIC WITHSTANDING VOLTAGE: 500V AC FOR ONE MINUTE.
 - INSULATION RESISTANCE: 100MΩ MIN. MEASURED BY 500 VDC
- MECHANICAL CHARACTERISTICS:
 - INSERTION FORCE : 0.3~3.0 KGf
 - WITHDRAWAL FORCE : 0.3~3.0 KGf
- LIFE TEST: 5,000 CYCLES MIN.
- OTHER GENERAL SPEC. TO REFER "2SUJ2296 SERIES SPEC".
- TO CONFORM TO SINGATRON HAZARDOUS SUBSTANCE FREE SPEC.
- GREEN PRODUCT IDENTIFICATION MARK ON JACK:
- GREEN PRODUCT IDENTIFICATION LABEL ON PACKING:
- FOR REFLOW SOLDERING LEAD-FREE PROCESS.



RECOMMENDED PCB LAYOUT
TOP VIEW (TOLERANCE: ±0.05)



NO	DESCRIPTION	QTY	MATERIAL	PLATING & COLOR
A	BODY	1	HIGH TEMP. THERMOPLASTIC (U94-10)	BLACK COLOR
B	RING-A	1	COPPER ALLOY 0.2t	GOLD FLASH
C	SHUNT-A	1	COPPER ALLOY 0.2t	GOLD FLASH
D	SHUNT-B	1	COPPER ALLOY 0.2t	GOLD FLASH
E	TIP SPRING	1	COPPER ALLOY 0.2t	GOLD FLASH
F	EARTH	1	COPPER ALLOY 0.25t	GOLD FLASH
G	RING-B	1	COPPER ALLOY 0.2t	GOLD FLASH
H	MYLAR	1	MYLAR 0.075T	GOLD FLASH

UNLESS OTHERWISE SPECIFIED TOLERANCES

DECIMALS: ANGLES:

X : ±0.5 X : ±2°
X.X : ±0.3 X.X : ±1°
X.XX : ±0.2

TITLE	Part No.	Scale	Unit	Sheet	Rev.
Ø3.5 PHONE JACK	2SJ2296-111111	6:1	mm	10F1	B

Singatron Enterprise Co., Ltd.
信音企業股份有限公司

CUSTOMER COPY

