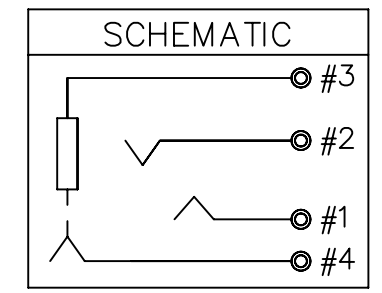
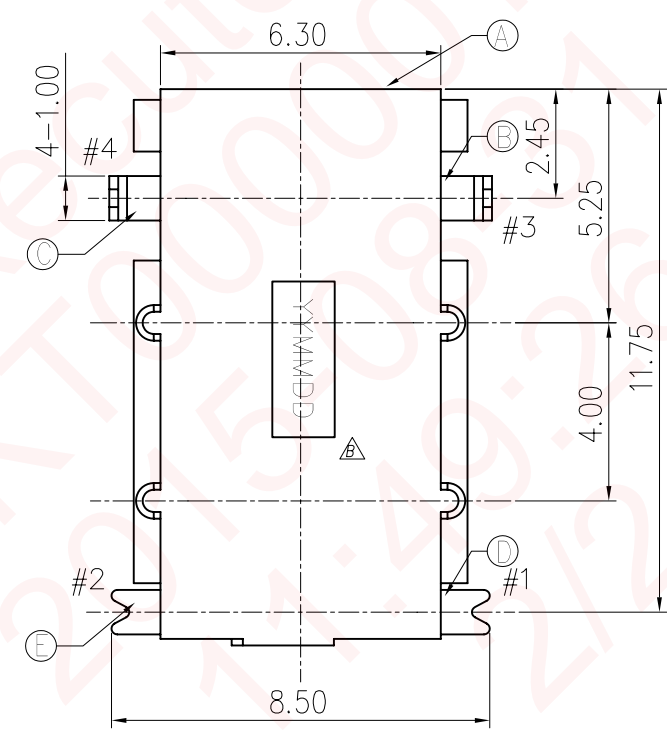
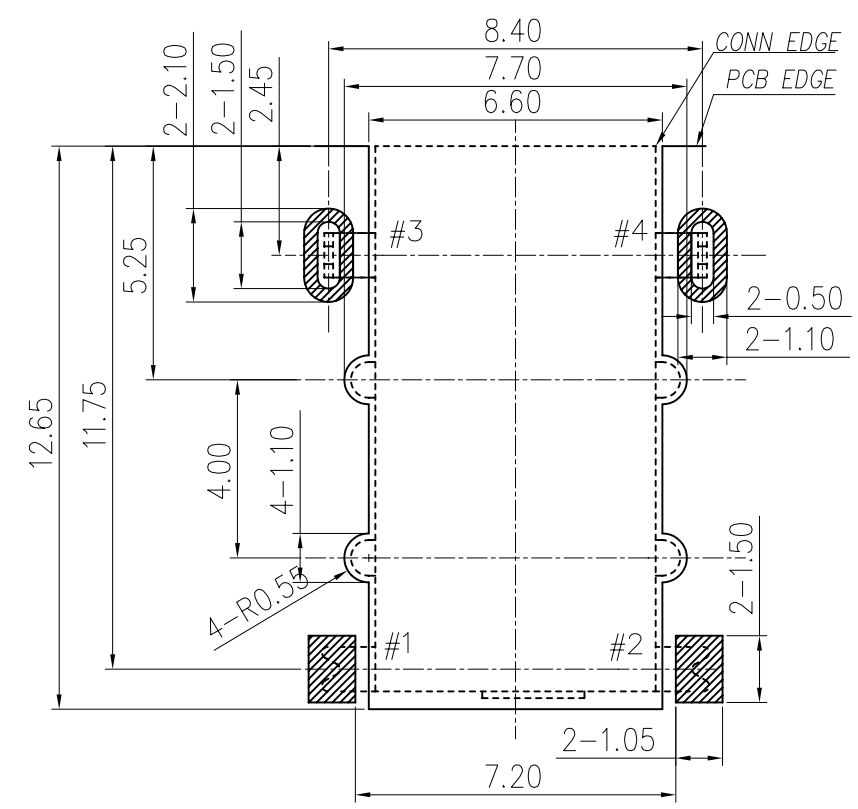
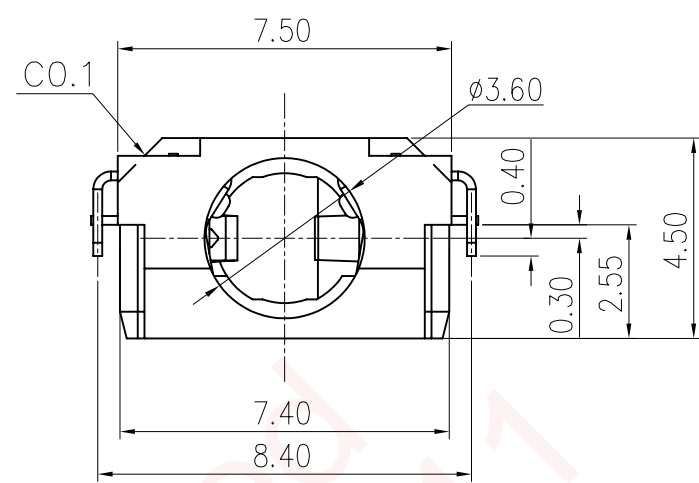
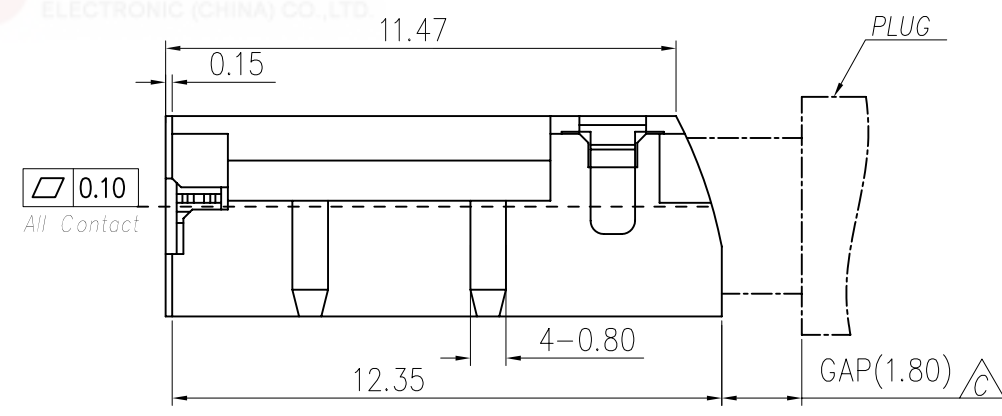
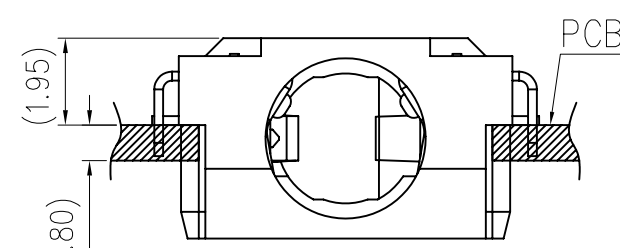


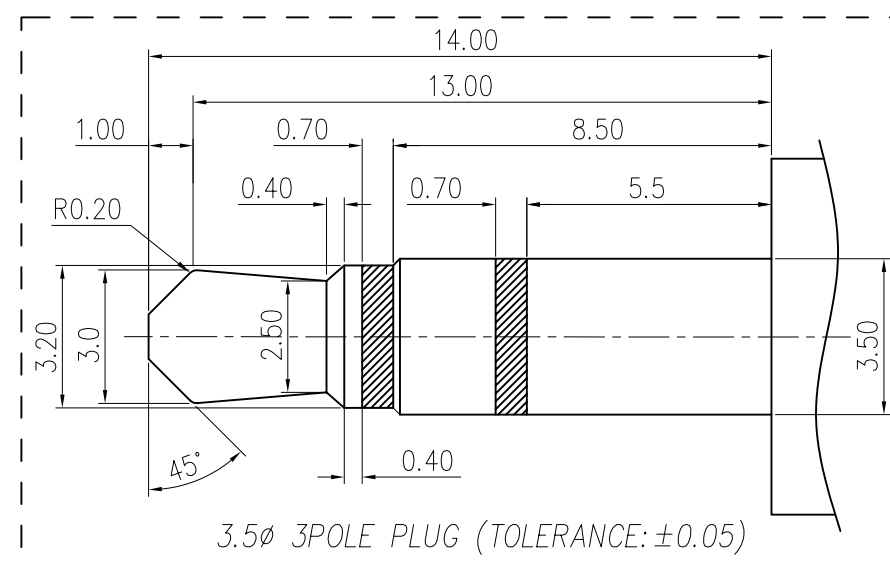
REV.	ECN NO OR DESCRIPTION	REVISED	DATE
A	PRODUCT RELEASED	譚金明	2009.09.26
B	ECN.:C100031	譚金明	2010.03.13
C	ECN:C150113 ADD GAP Dimension	REX	2015.08.24



- SPECIFICATIONS:**
- ELECTRICAL CHARACTERISTICS:  
1-1. WORKING VOLTAGE: 36V MAX.  
1-2. CONTACT RESISTANCE: 30mΩ MAX(INITIAL).
  - MATING FORCE 3Kg Max. UNMATING FORCE 0.3Kg Min.
  - LIFE TEST: 10,000 CYCLES MIN.
  - PACKING: TAPE & REEL
  - TO CONFORM TO THE SINGATRON HSF SPECIFICATION.
  - HALOGEN FREE PRODUCT IDENTIFICATION MARK:
  - HALOGEN FREE PRODUCT IDENTIFICATION LABEL ON PACKAGING:
  - FOR LEAD-FREE PROCESS.
  - SOLDER HEAT RESISTANCE REFLOW SOLDERING 260°C 10SECS.



RECOMMENDED PCB LAYOUT  
TOP VIEW (TOLERANCE: ±0.05)



NO	DESCRIPTION	QTY	MATERIAL	PLATING & COLOR
E	RING SPRING A	1	COPPER ALLOY 0.2t	Gold Flash
D	TIP SPRING	1	COPPER ALLOY 0.2t	Gold Flash
C	RING SPRING B-2	1	COPPER ALLOY 0.2t	Gold Flash
B	RING SPRING B-1	1	COPPER ALLOY 0.2t	Gold Flash
A	BODY	1	THERMOPLASTIC HIGH TEMP	BLACK COLOR

UNLESS OTHERWISE SPECIFIED TOLERANCES		Singatron Enterprise Co., Ltd. 信音企業股份有限公司			
DECIMALS: ANGLES:		TITLE: $\phi 3.5$ PHONE JACK			
X	:±0.5 X :±2°	DWN	Xinrong-Tan 15/8/27	PART NO. 2SJ2299-000111	
X.X	:±0.3 X.X :±1°	CHKD	Zhijun-Wei 15/8/27	SCALE 1:1	UNIT: mm
X.XX	:±0.2	APVD	Ziz-Zhou 15/8/27	SIZE: A3	SHEET: 10F1
REV: C					
CUSTOMER COPY					